

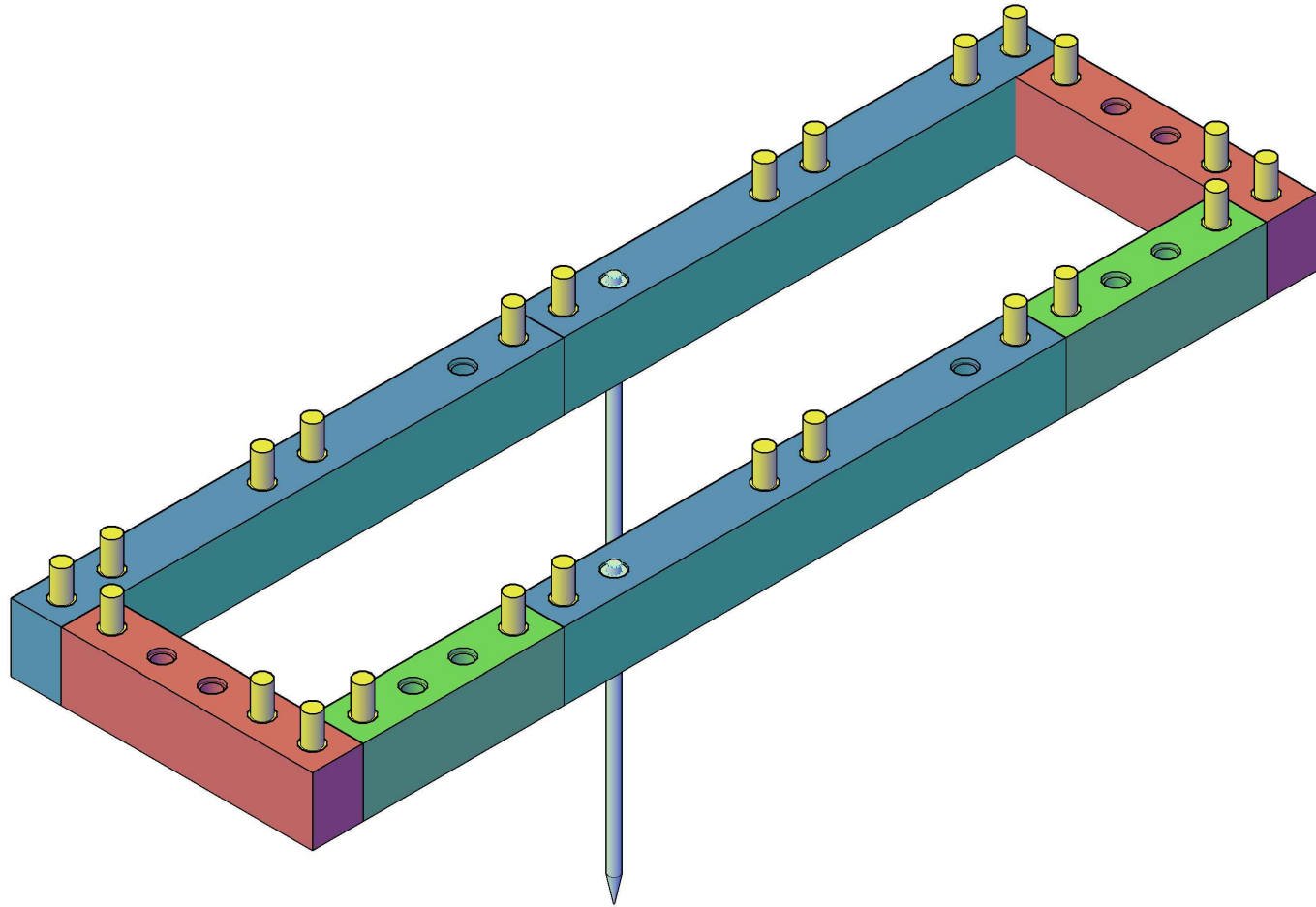
CUSTOMER NAME

BESPOKE

DRAWING TITLE

COVER 3D

DESIGN VERSION



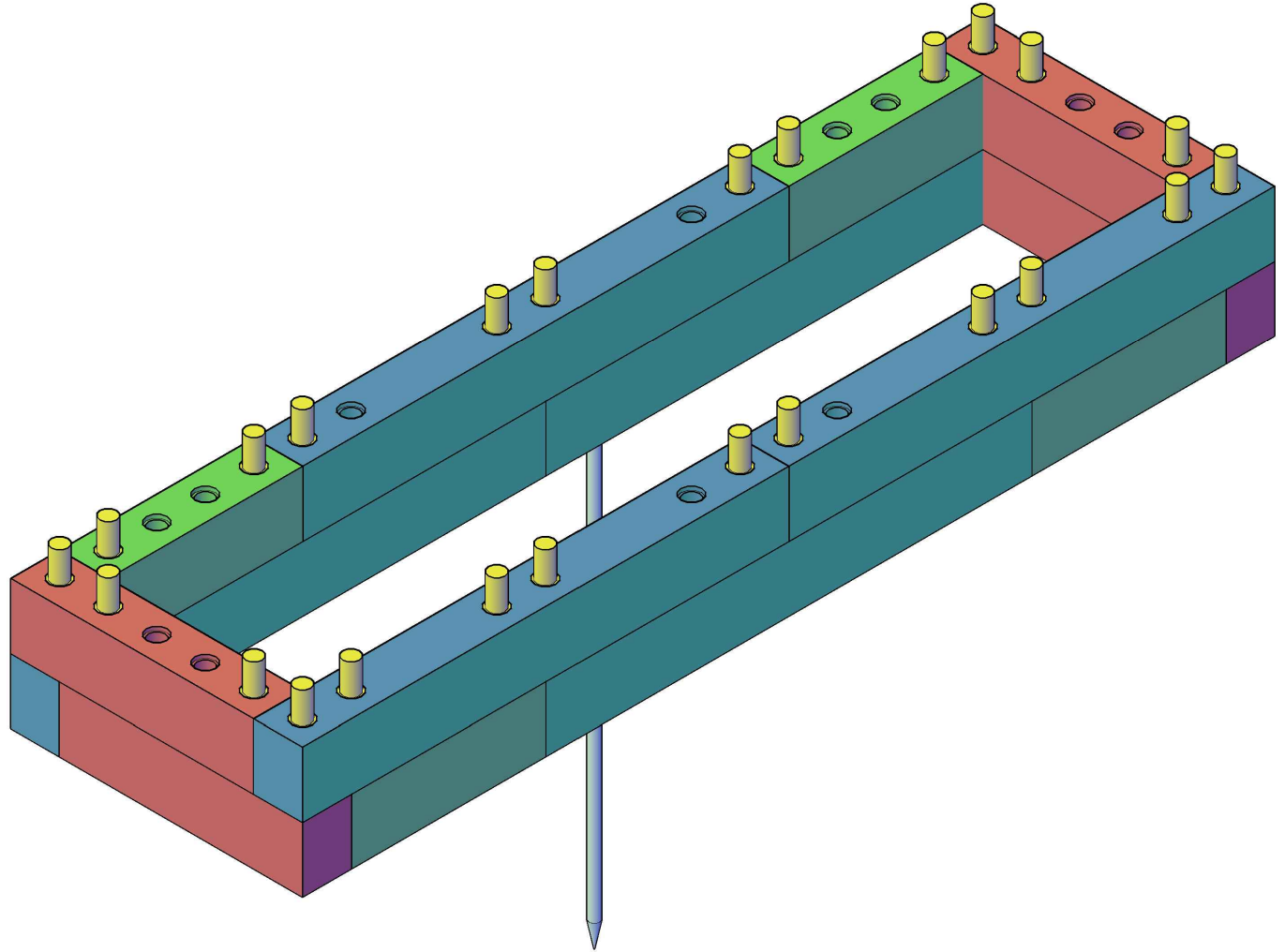
CUSTOMER NAME

BESPOKE

DRAWING TITLE

LAYER1

DESIGN VERSION



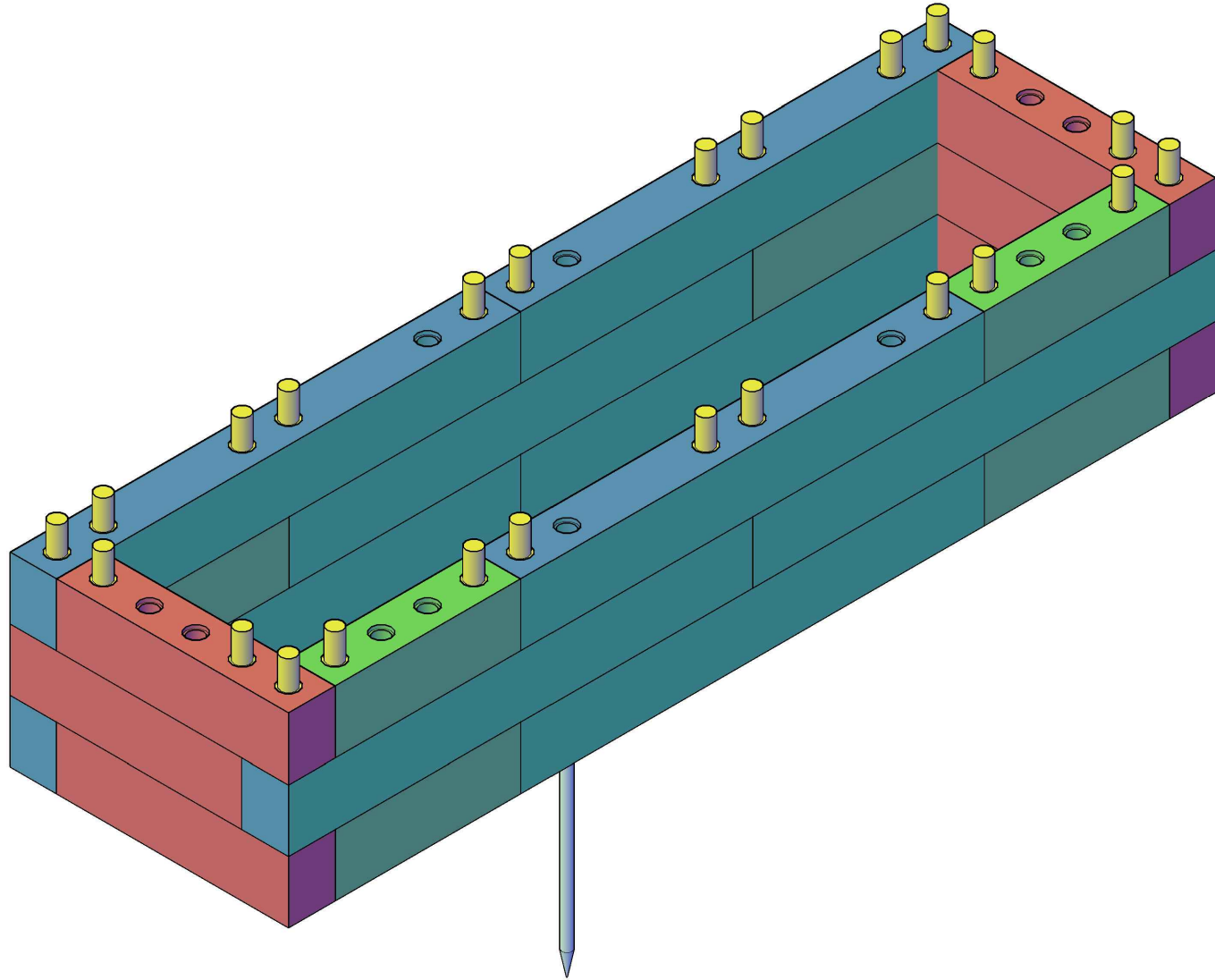
CUSTOMER NAME

BESPOKE

DRAWING TITLE

LAYER2

DESIGN VERSION



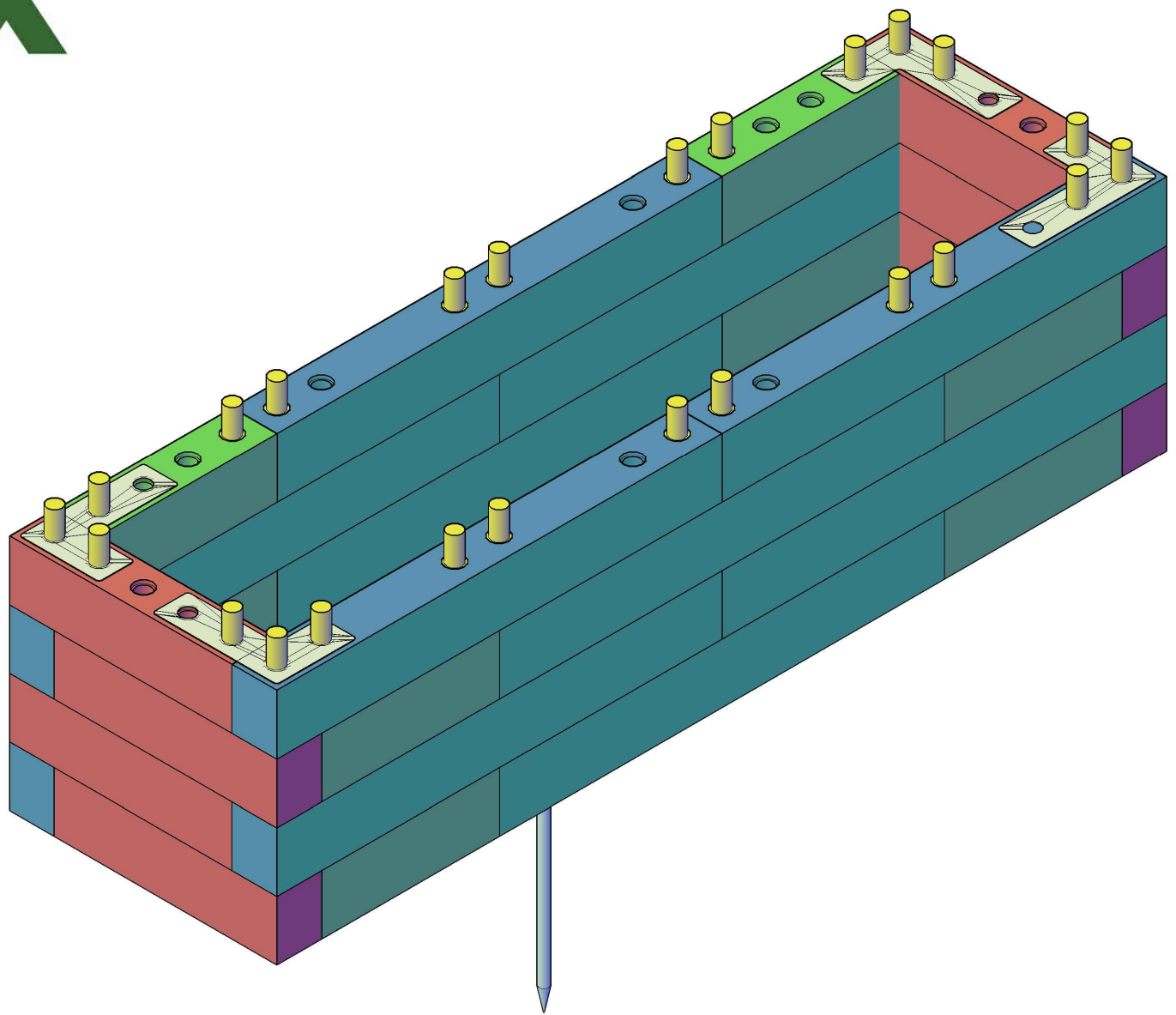
CUSTOMER NAME

BESPOKE

DRAWING TITLE

LAYER3

DESIGN VERSION



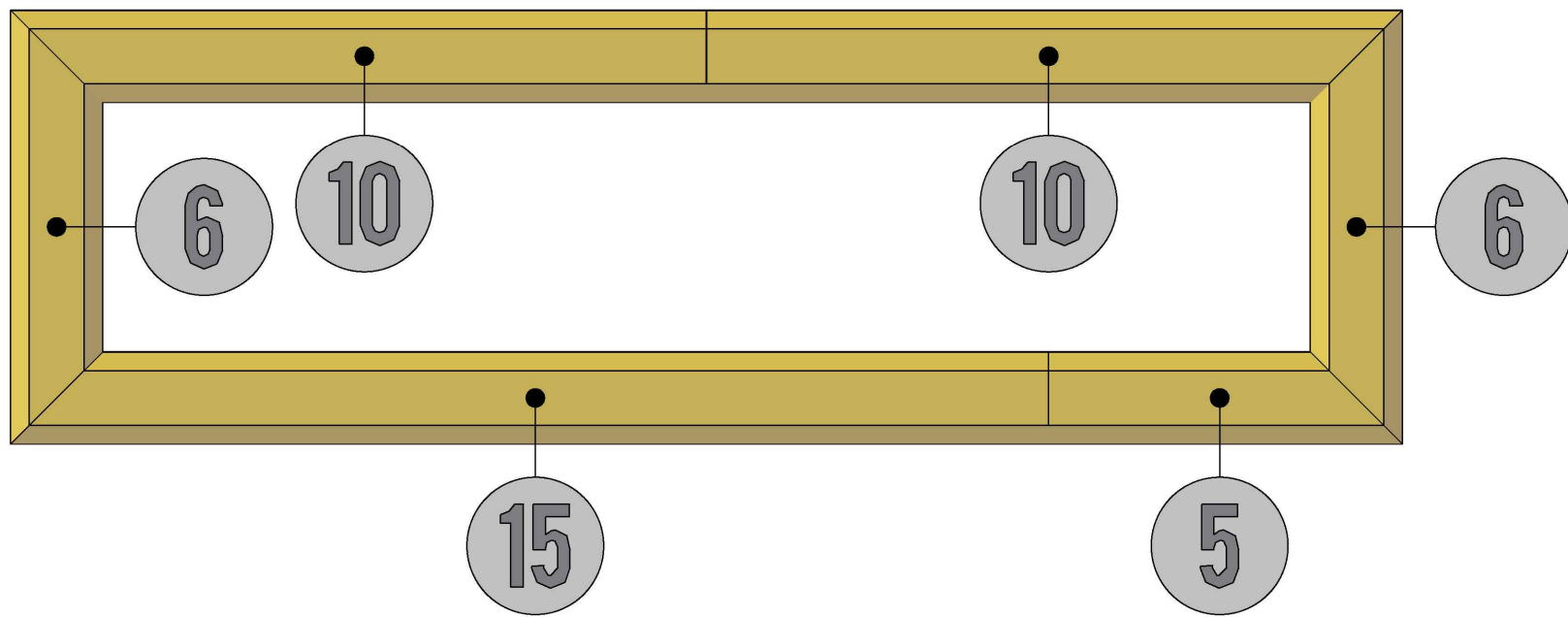
CUSTOMER NAME

BESPOKE

DRAWING TITLE

LAYER 4

DESIGN VERSION



CUSTOMER NAME

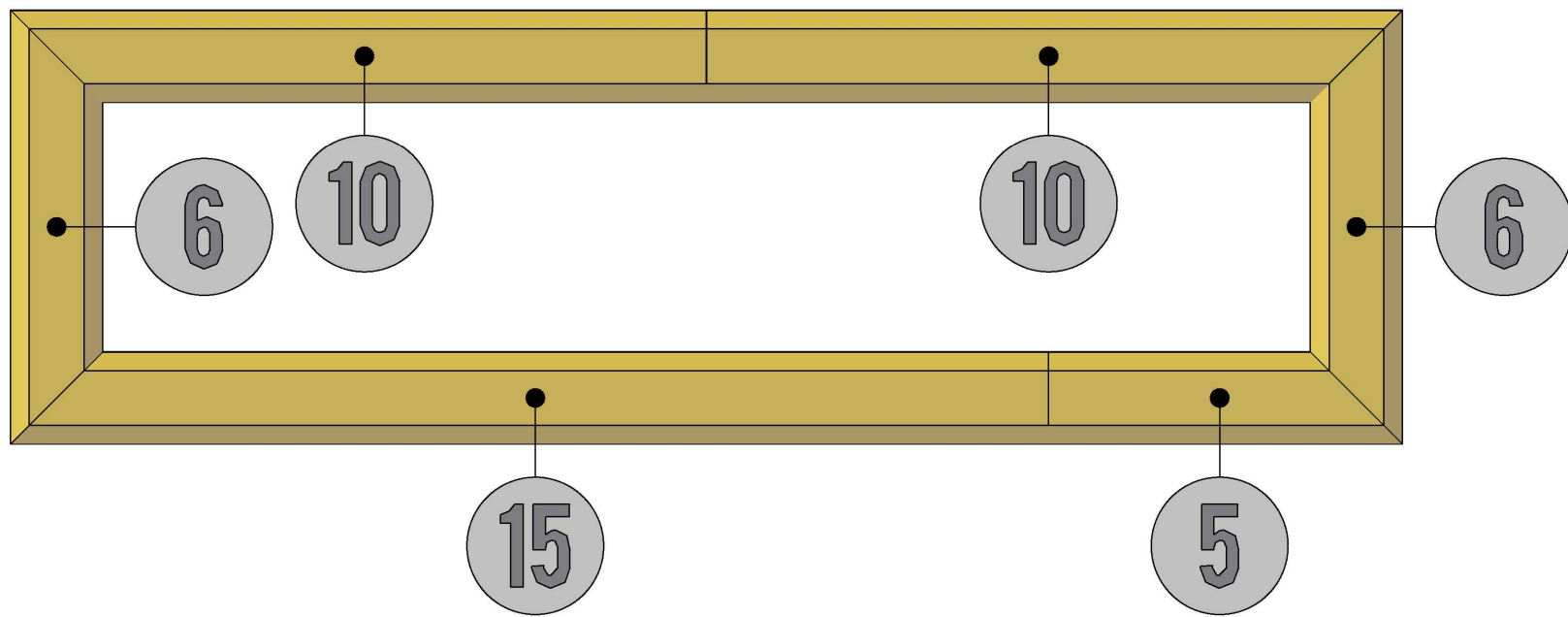
DRAWING TITLE

DESIGN VERSION

*NUMBERS REPRESENT NUMBER OF HOLES INCAPPING

BESPOKE

CAPPINGPLAN



CUSTOMER NAME

DRAWING TITLE

DESIGN VERSION

*NUMBERS REPRESENT NUMBER OF HOLES INCAPPING

BESPOKE

CAPPINGPLAN