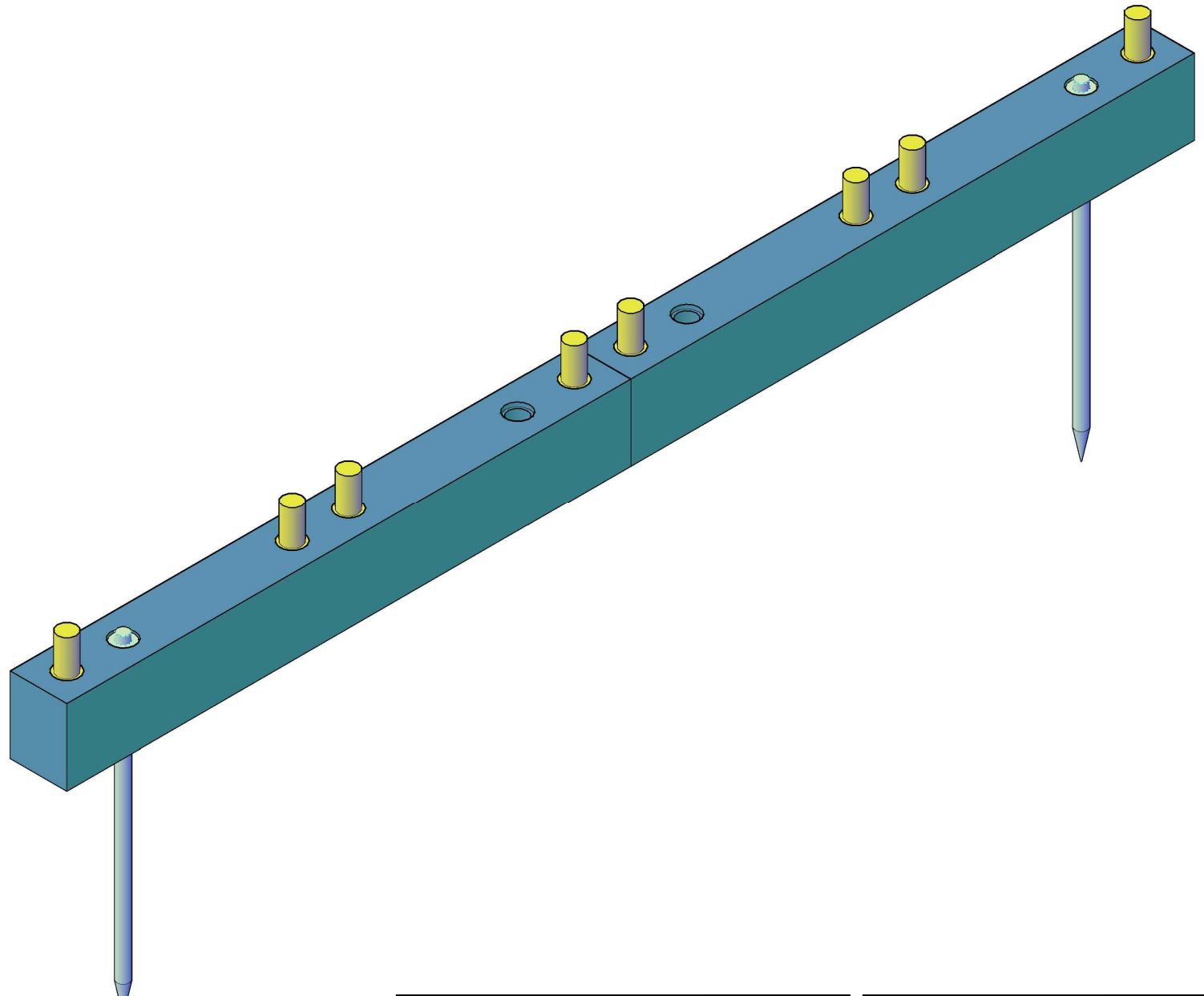


CUSTOMER NAME
SKU00012

DRAWING TITLE
COVER 3D

DESIGN VERSION
1.0

WOOD BlocX

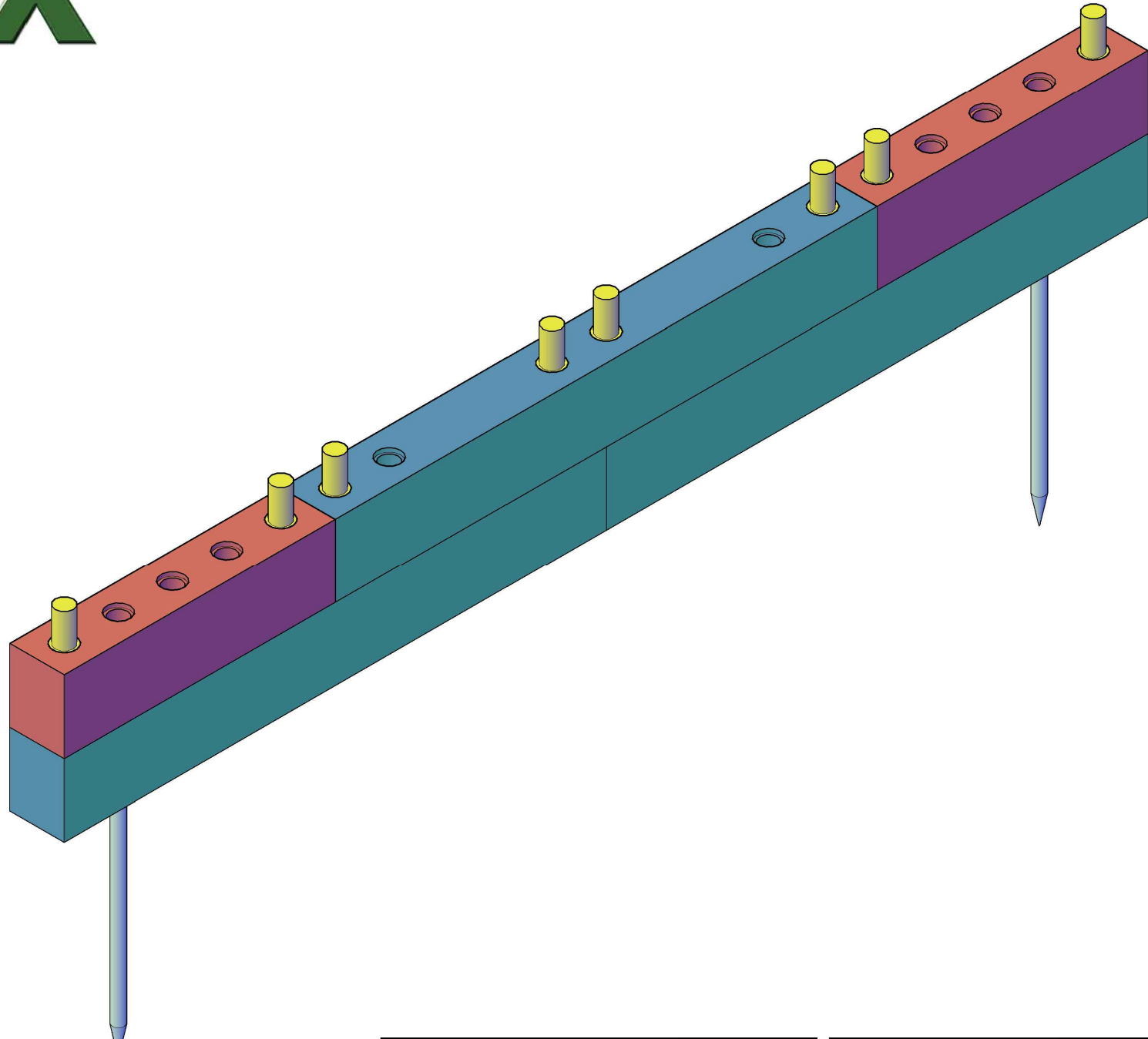


CUSTOMER NAME
SKU00012

DRAWING TITLE
LAYER01

DESIGN VERSION
1.0

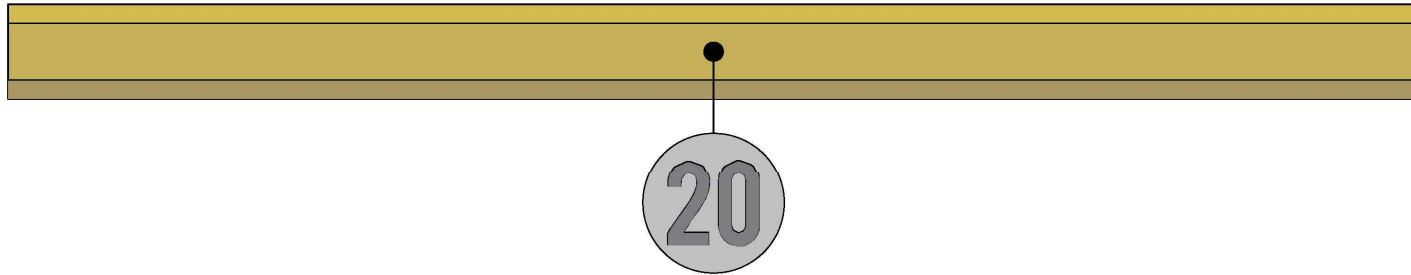
WOOD BlocX



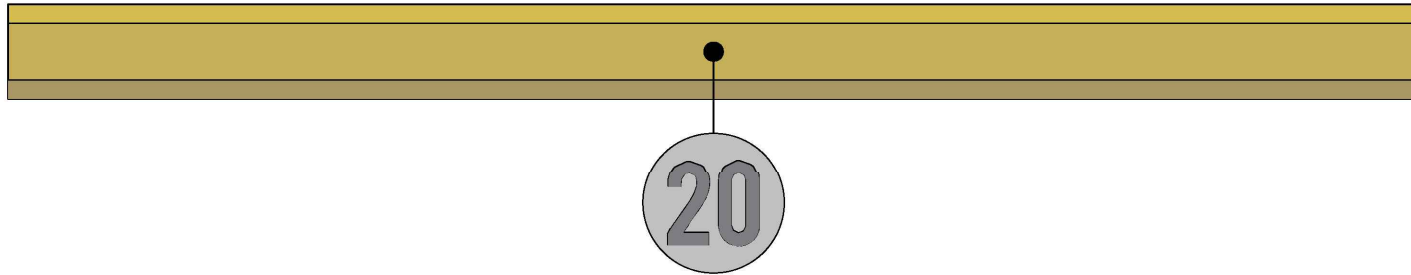
CUSTOMER NAME
SKU00012

DRAWING TITLE
LAYER02

DESIGN VERSION
1.0



***NUMBERS REPRESENT NUMBER OF HOLES IN CAPPING**



***NUMBERS REPRESENT NUMBER OF HOLES IN CAPPING**