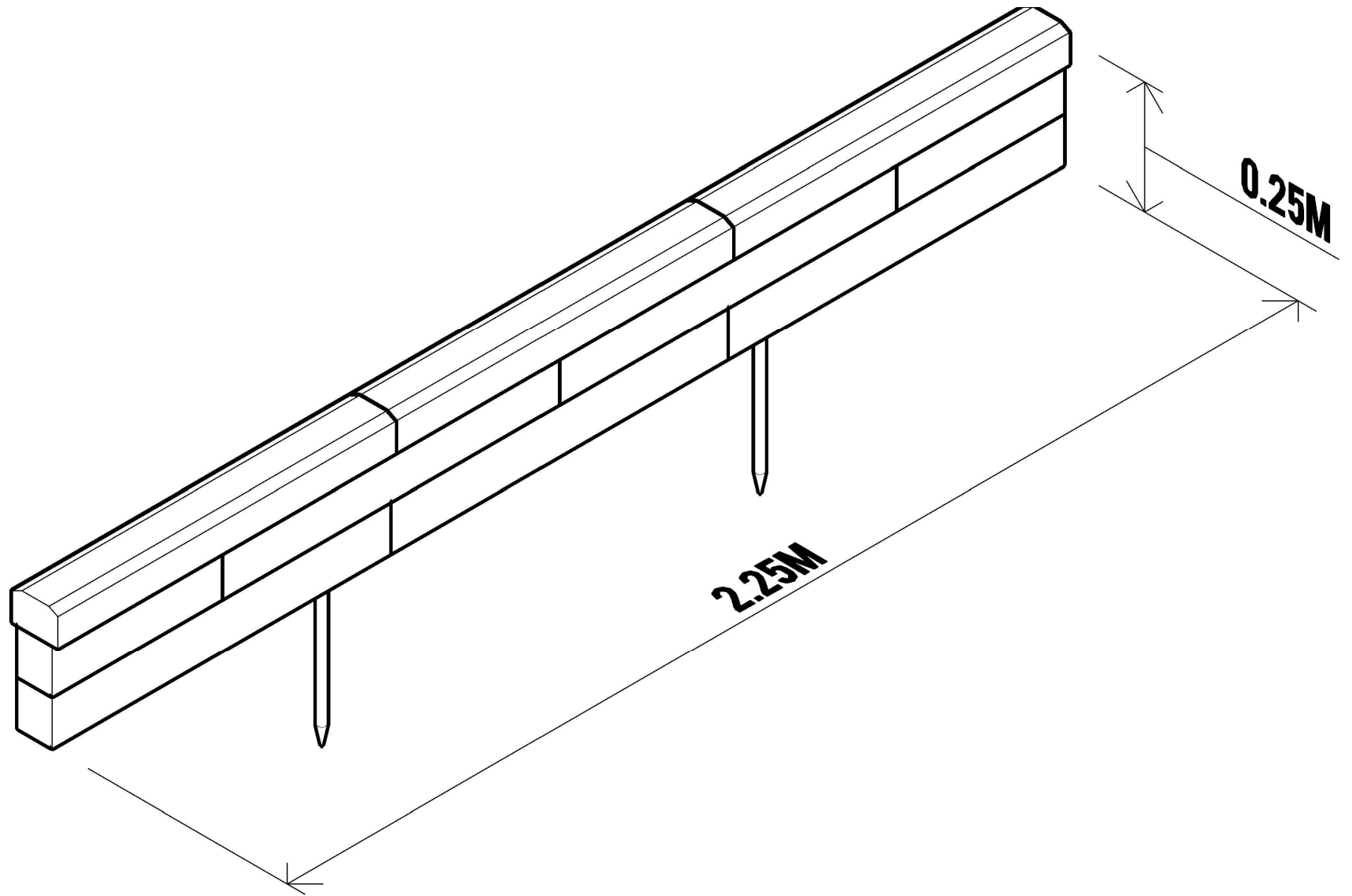


WOOD BlocX

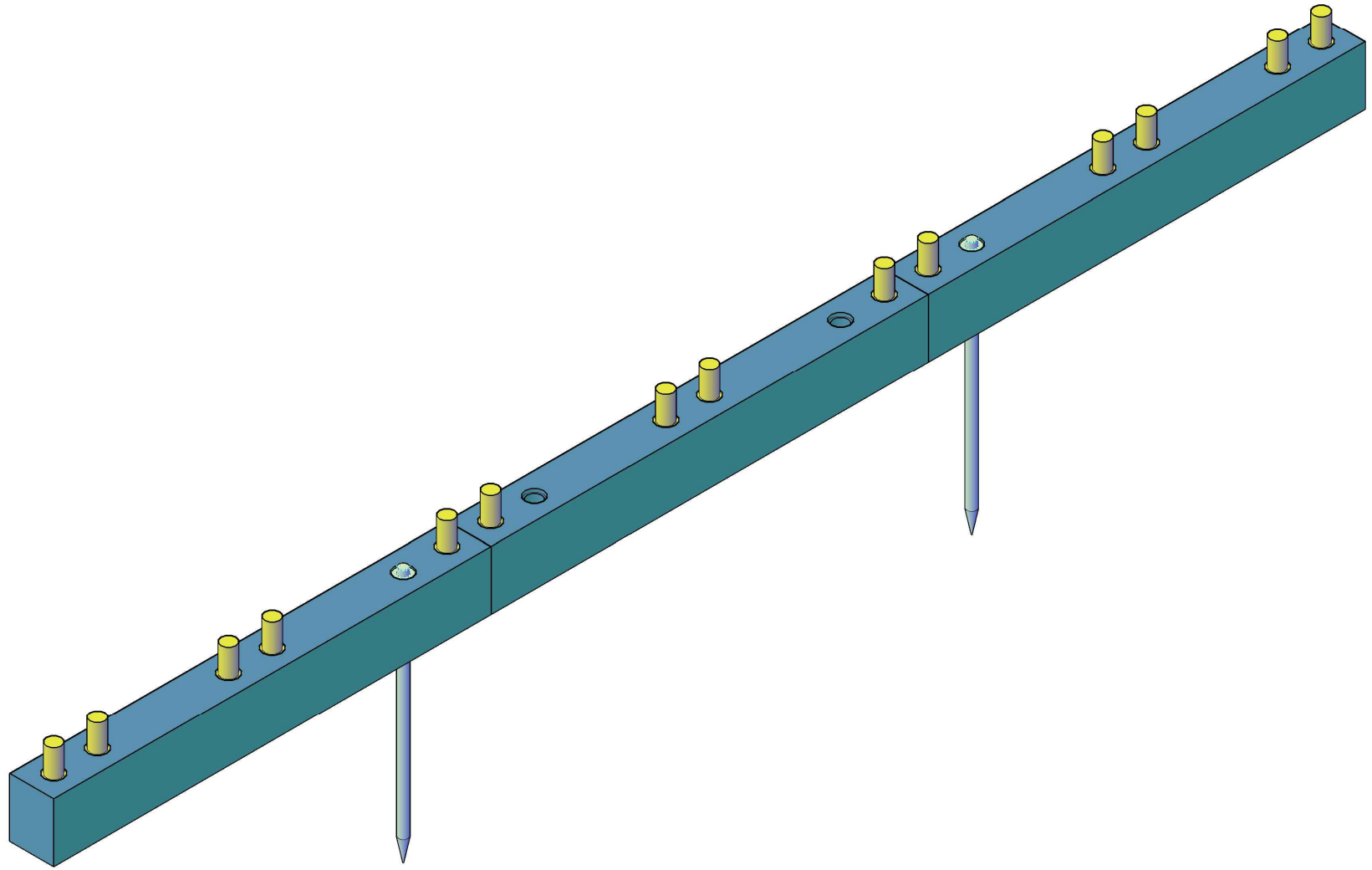


CUSTOMER NAME
SKU00013

DRAWING TITLE
COVER 3D

DESIGN VERSION
1.0

WOOD BlocX

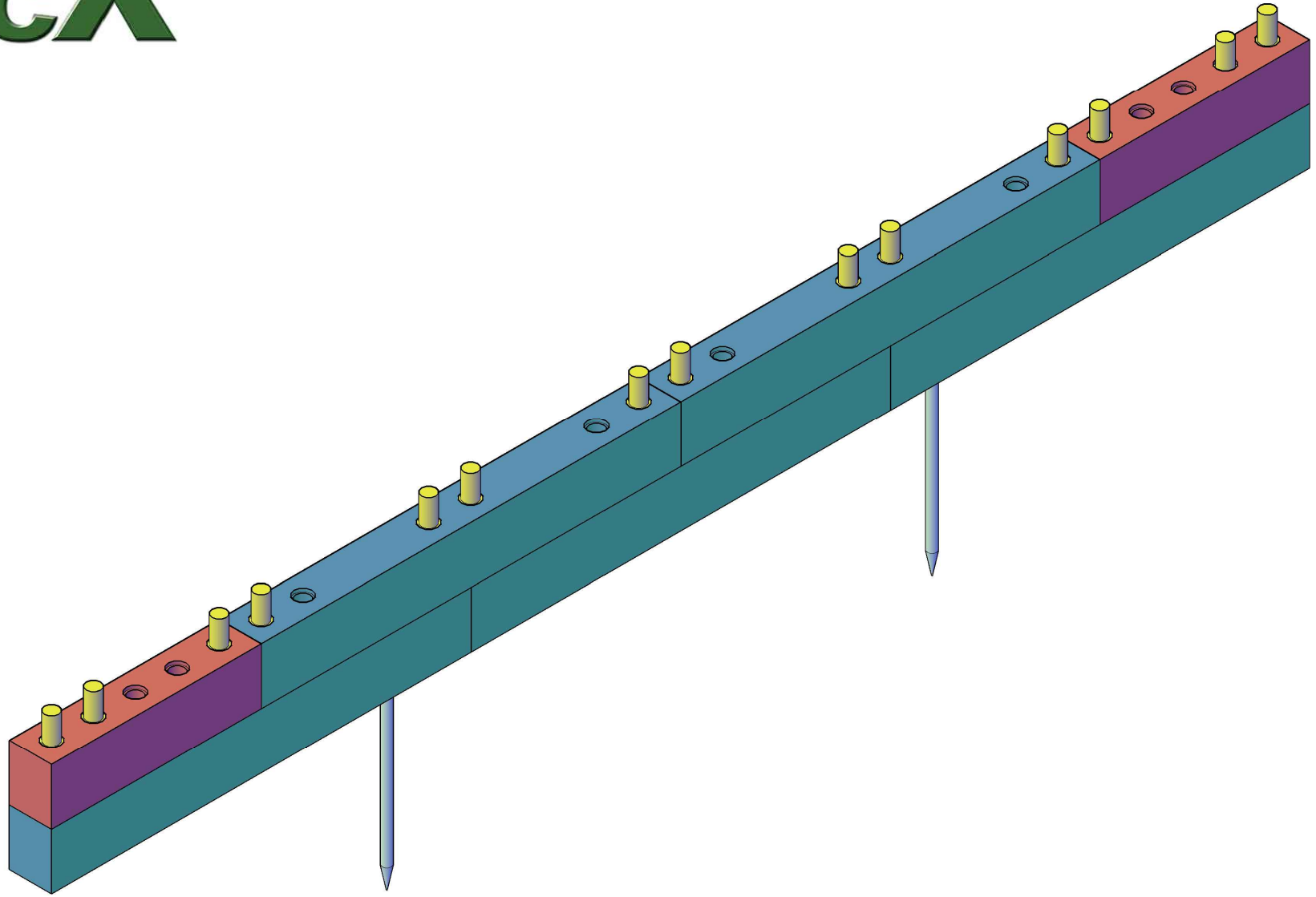


CUSTOMER NAME
SKU00013

DRAWING TITLE
LAYER01

DESIGN VERSION
1.0

WOOD BlocX

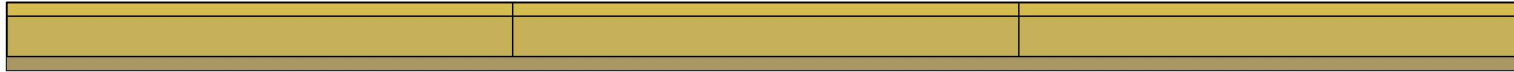


CUSTOMER NAME
SKU00013

DRAWING TITLE
LAYER02

DESIGN VERSION
1.0

WOOD BlocX



CUSTOMER NAME

SKU00013

DRAWING TITLE

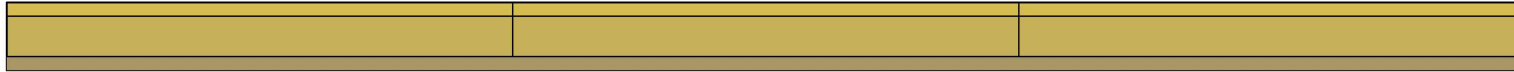
CAPPINGPLAN

DESIGN VERSION

1.0

*NUMBERS REPRESENT NUMBER OF HOLES IN CAPPING

WOOD BlocX



CUSTOMER NAME

SKU00013

DRAWING TITLE

CAPPINGPLAN2

DESIGN VERSION

1.0

*NUMBERS REPRESENT NUMBER OF HOLES IN CAPPING