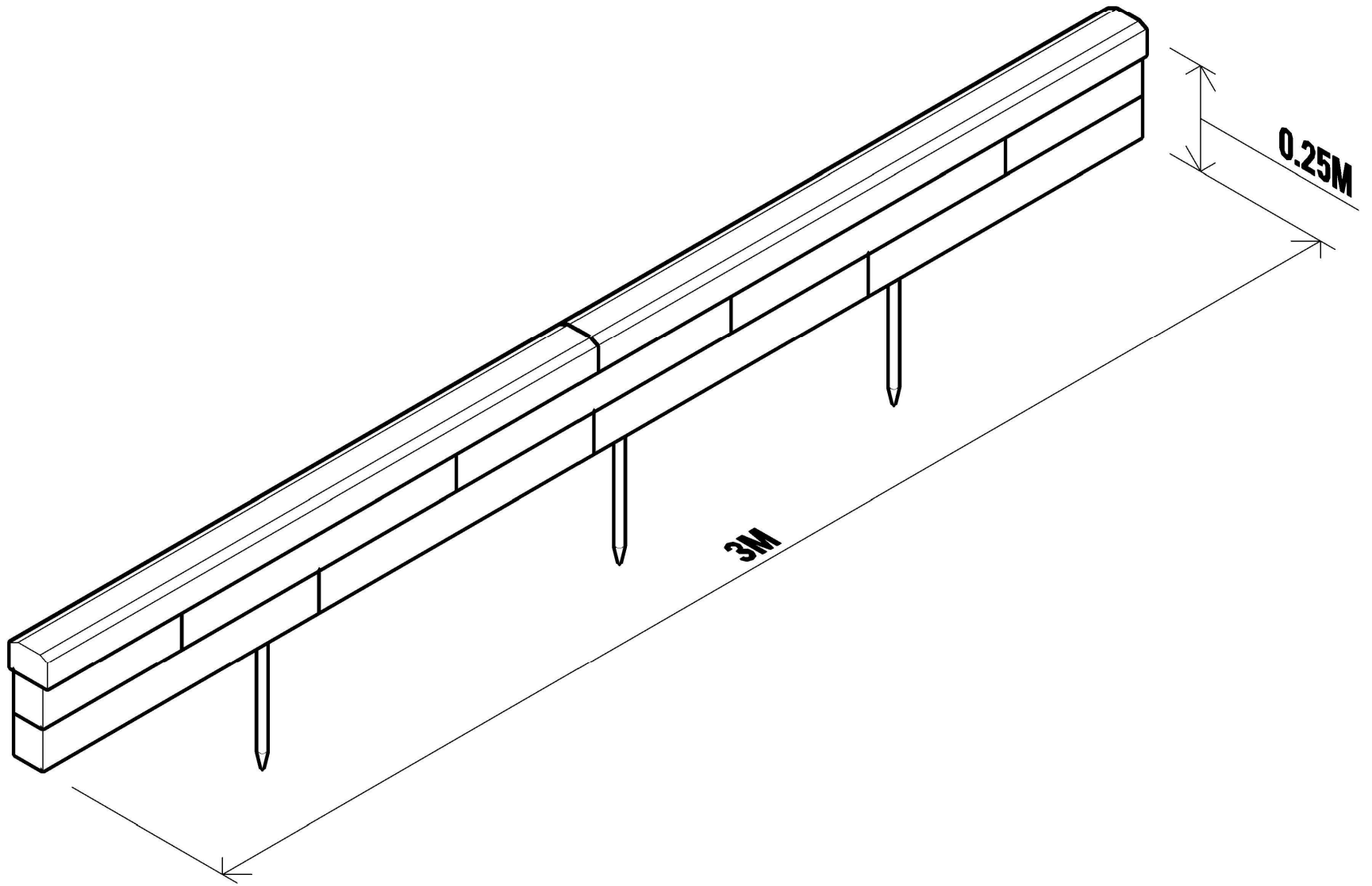


WOOD BlocX

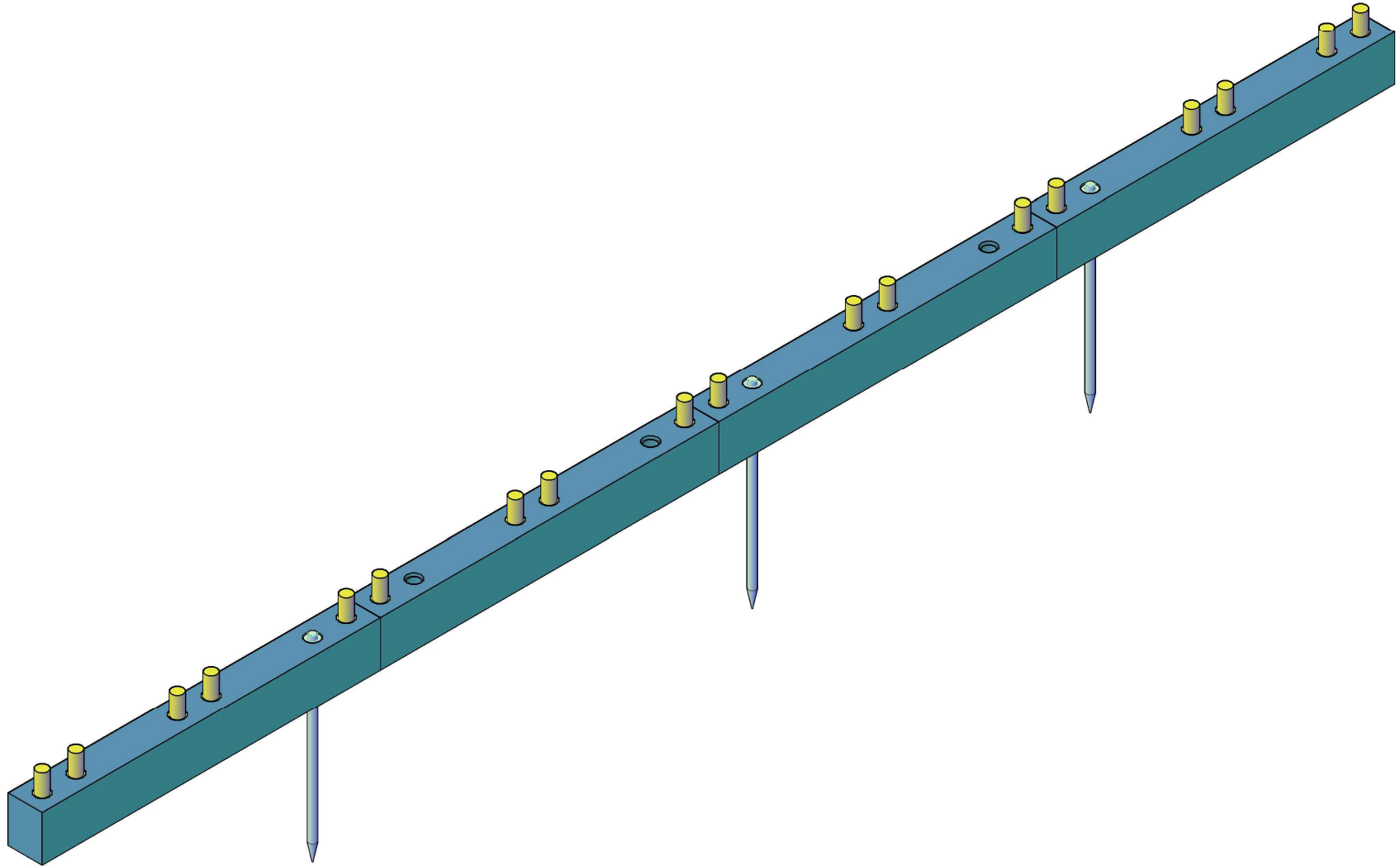


CUSTOMER NAME
SKU00014

DRAWING TITLE
COVER 3D

DESIGN VERSION
1.0

WOOD BlocX

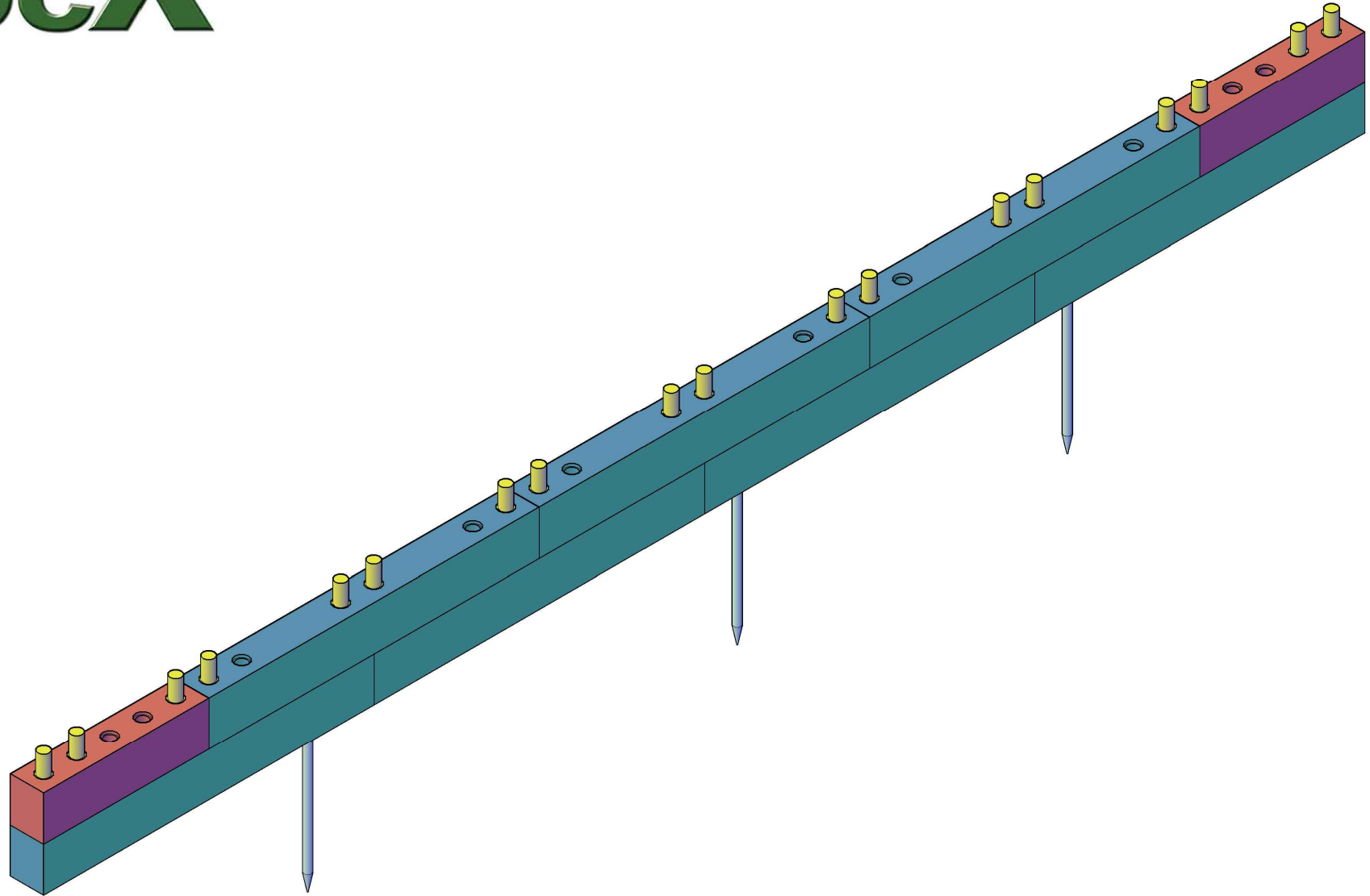


CUSTOMER NAME
SKU00014

DRAWING TITLE
LAYER01

DESIGN VERSION
1.0

WOOD BlocX

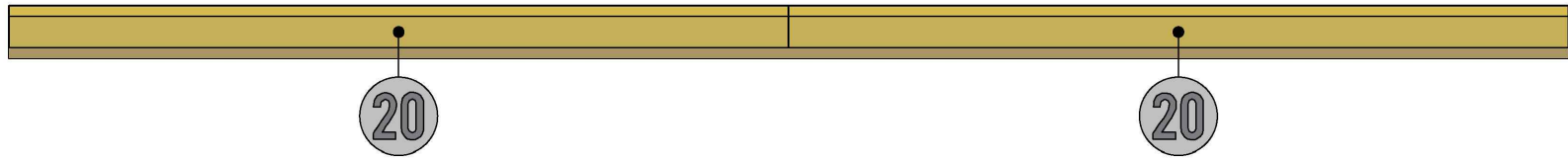


CUSTOMER NAME
SKU00014

DRAWING TITLE
LAYER02

DESIGN VERSION
1.0

WOOD BlocX



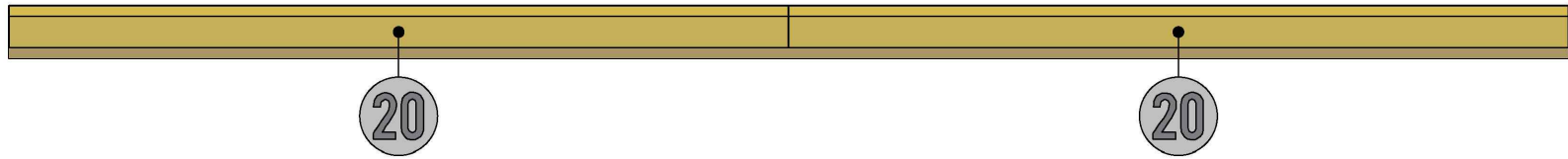
*NUMBERS REPRESENT NUMBER OF HOLES IN CAPPING

CUSTOMER NAME
SKU00014

DRAWING TITLE
CAPPINGPLAN

DESIGN VERSION
1.0

WOOD BlocX



*NUMBERS REPRESENT NUMBER OF HOLES IN CAPPING

CUSTOMER NAME
SKU00014

DRAWING TITLE
CAPPINGPLAN2

DESIGN VERSION
1.0