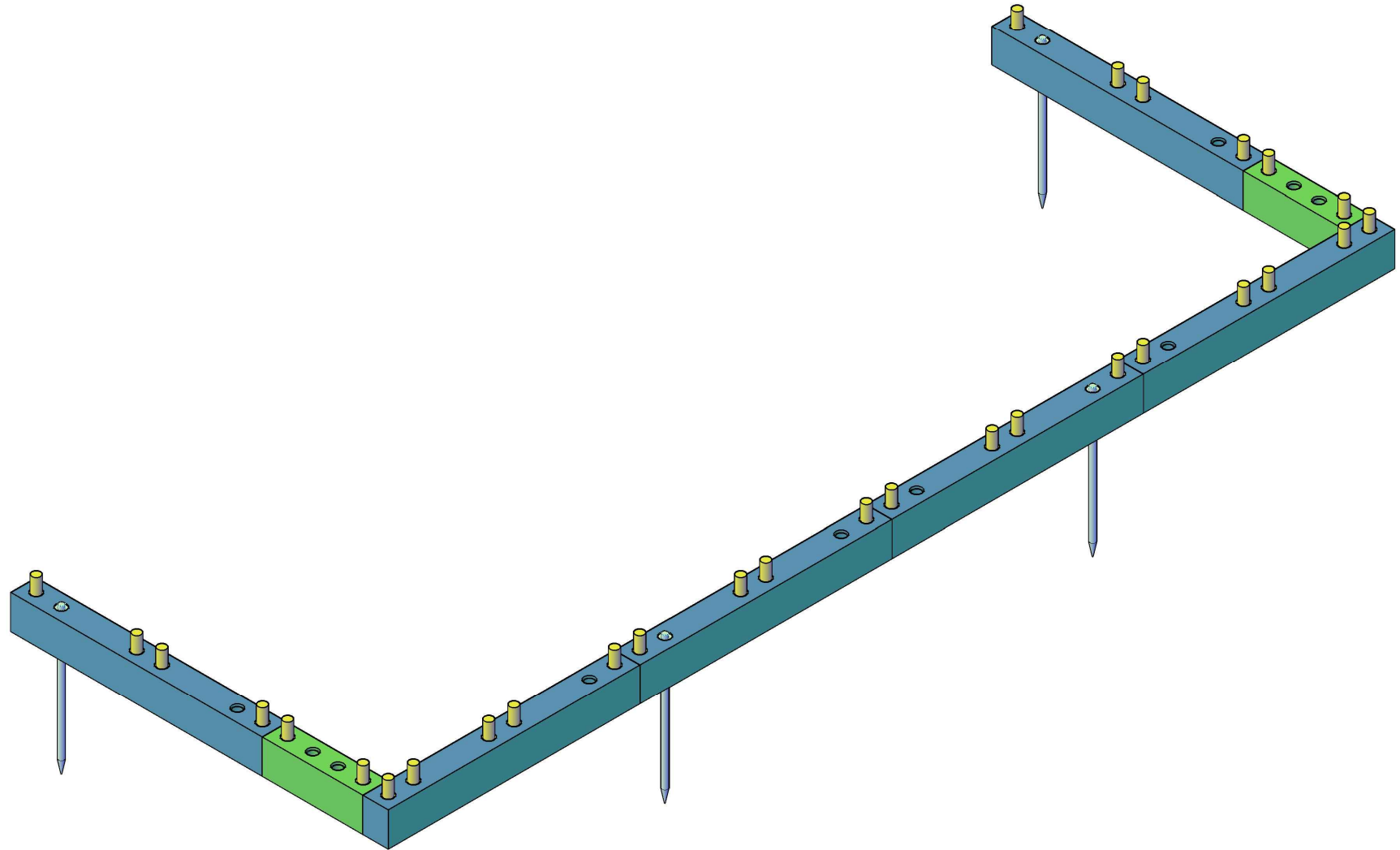


WOOD BlocX

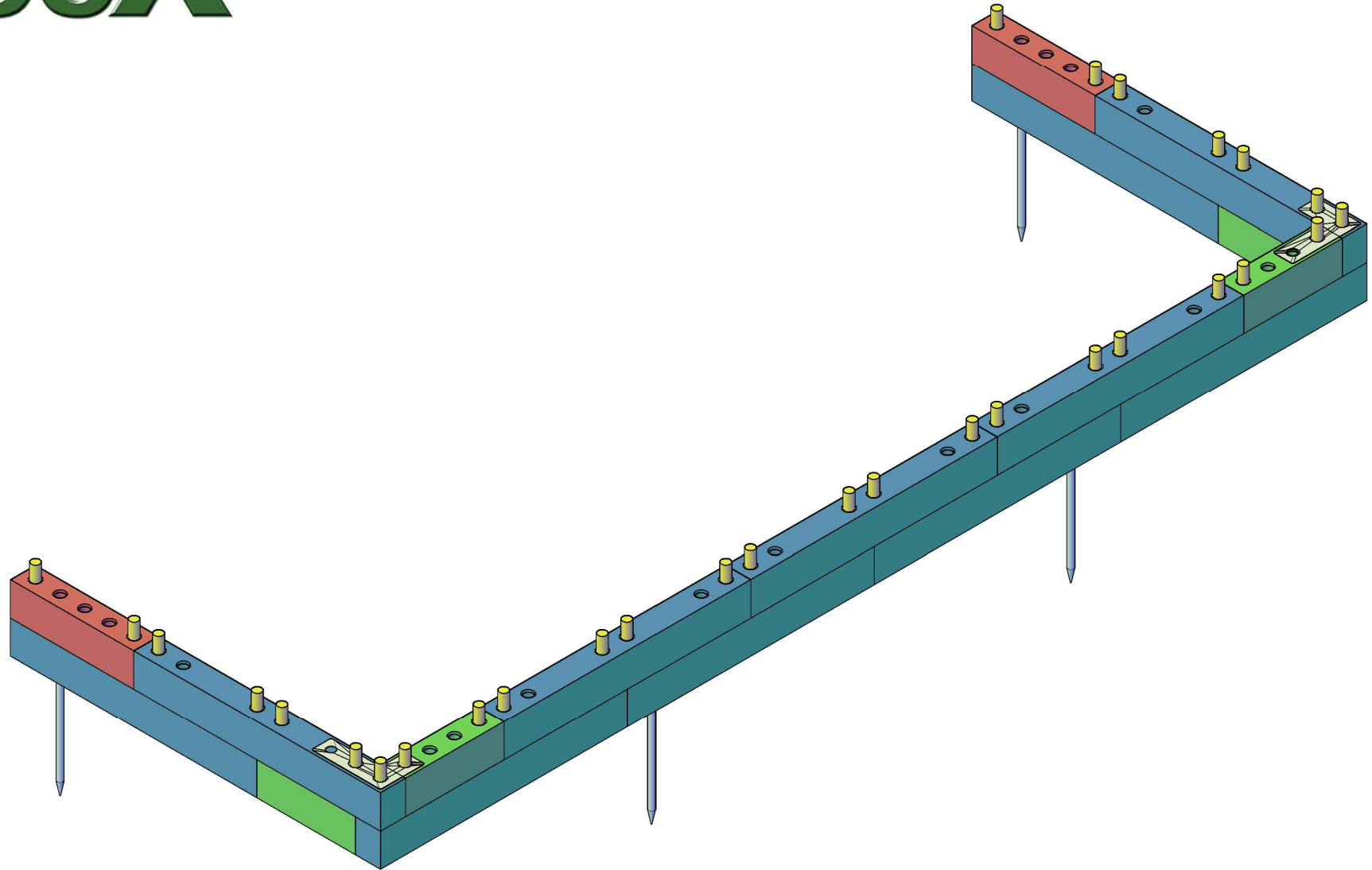


CUSTOMER NAME
SKU00019

DRAWING TITLE
LAYER01

DESIGN VERSION
1.0

WOOD BlocX

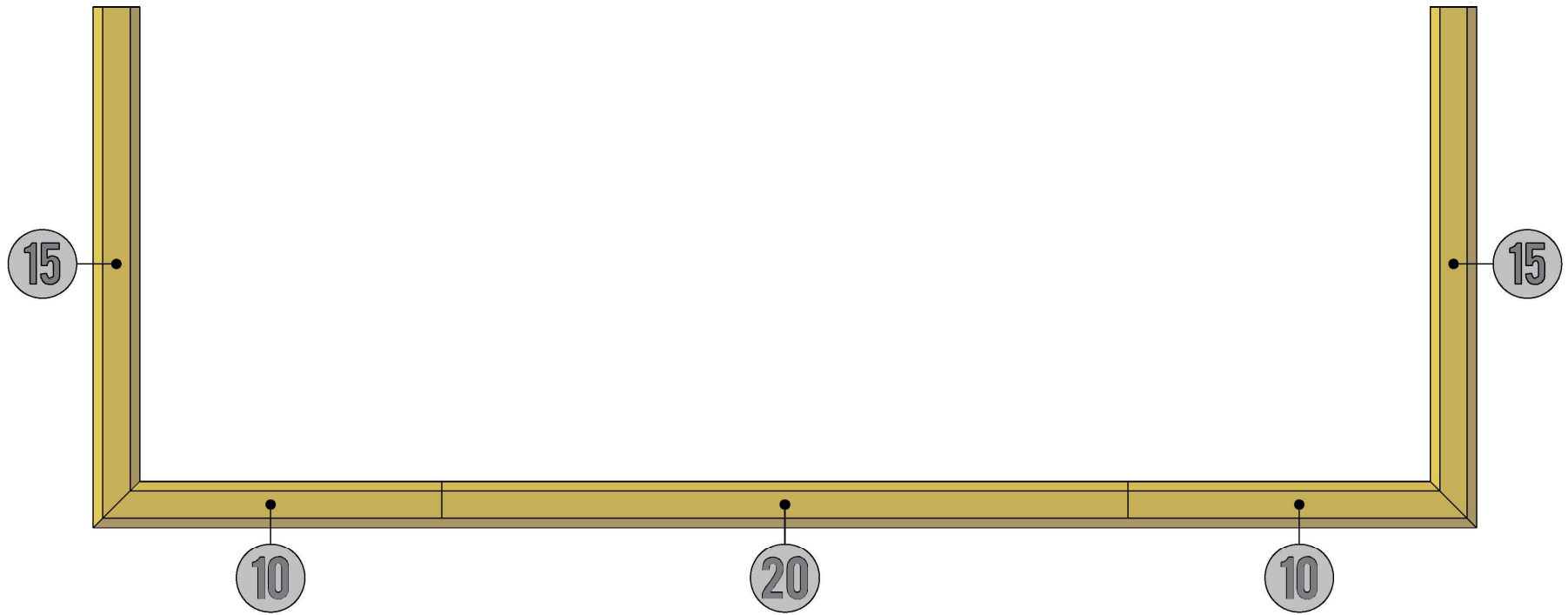


CUSTOMER NAME
SKU00019

DRAWING TITLE
LAYER02

DESIGN VERSION
1.0

WOOD BlocX



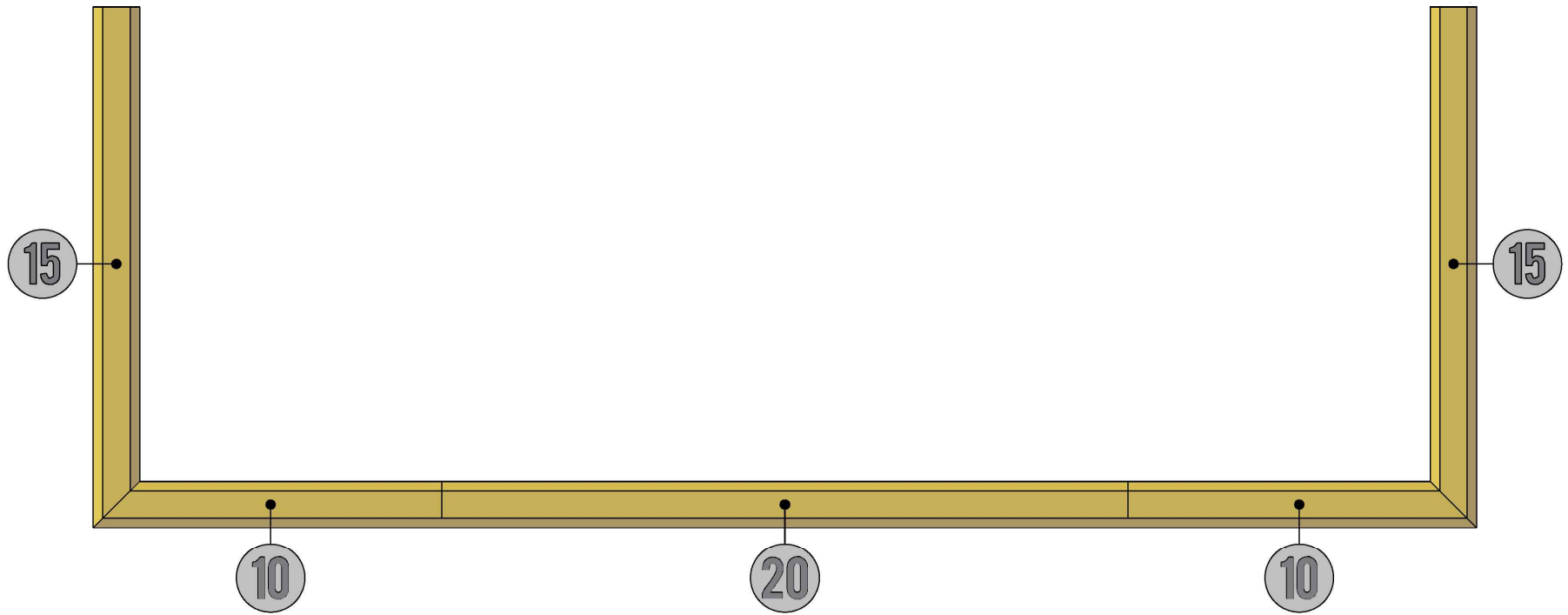
*NUMBERS REPRESENT NUMBER OF HOLES INCAPPING

CUSTOMER NAME
SKU00019

DRAWING TITLE
CAPPINGPLAN

DESIGN VERSION
1.0

WOOD BlocX



CUSTOMER NAME
SKU00019

DRAWING TITLE
CAPPINGPLAN2

DESIGN VERSION
1.0

*NUMBERS REPRESENT NUMBER OF HOLES INCAPPING