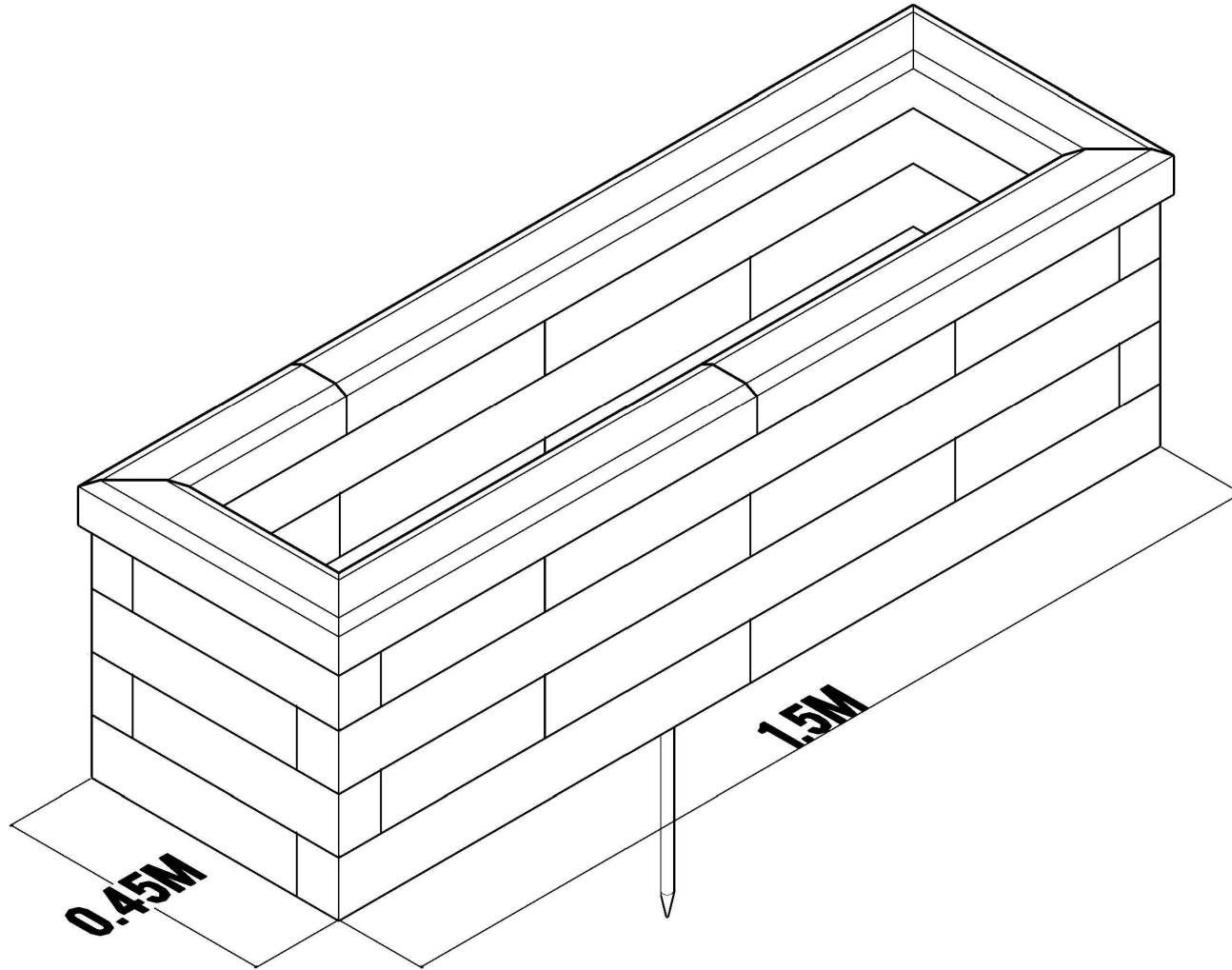


WOOD BlocX



CUSTOMER NAME

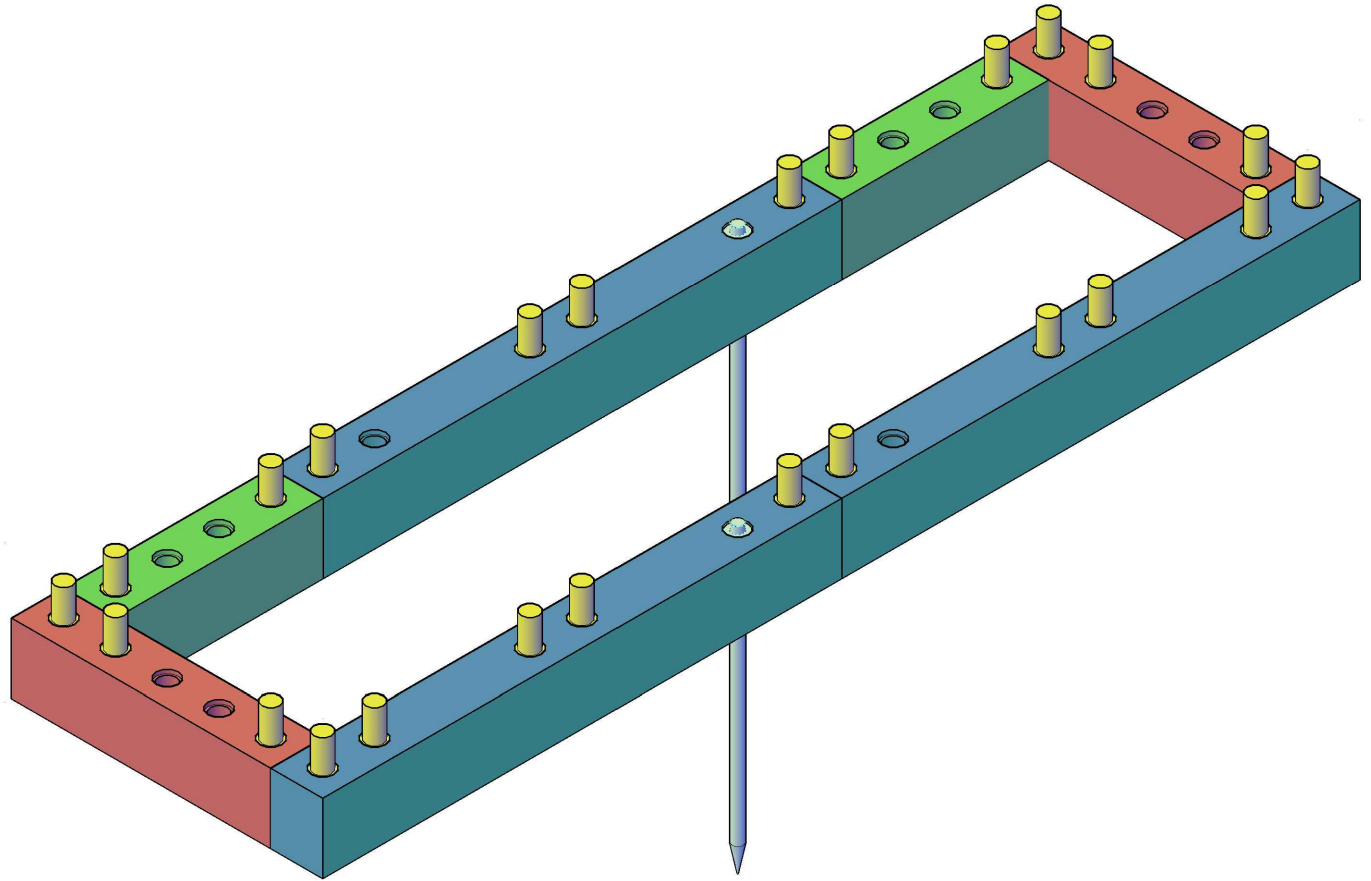
----MX----MX----M

DRAWING TITLE

COVER 3D

DESIGN VERSION

WOOD BlocX



CUSTOMER NAME

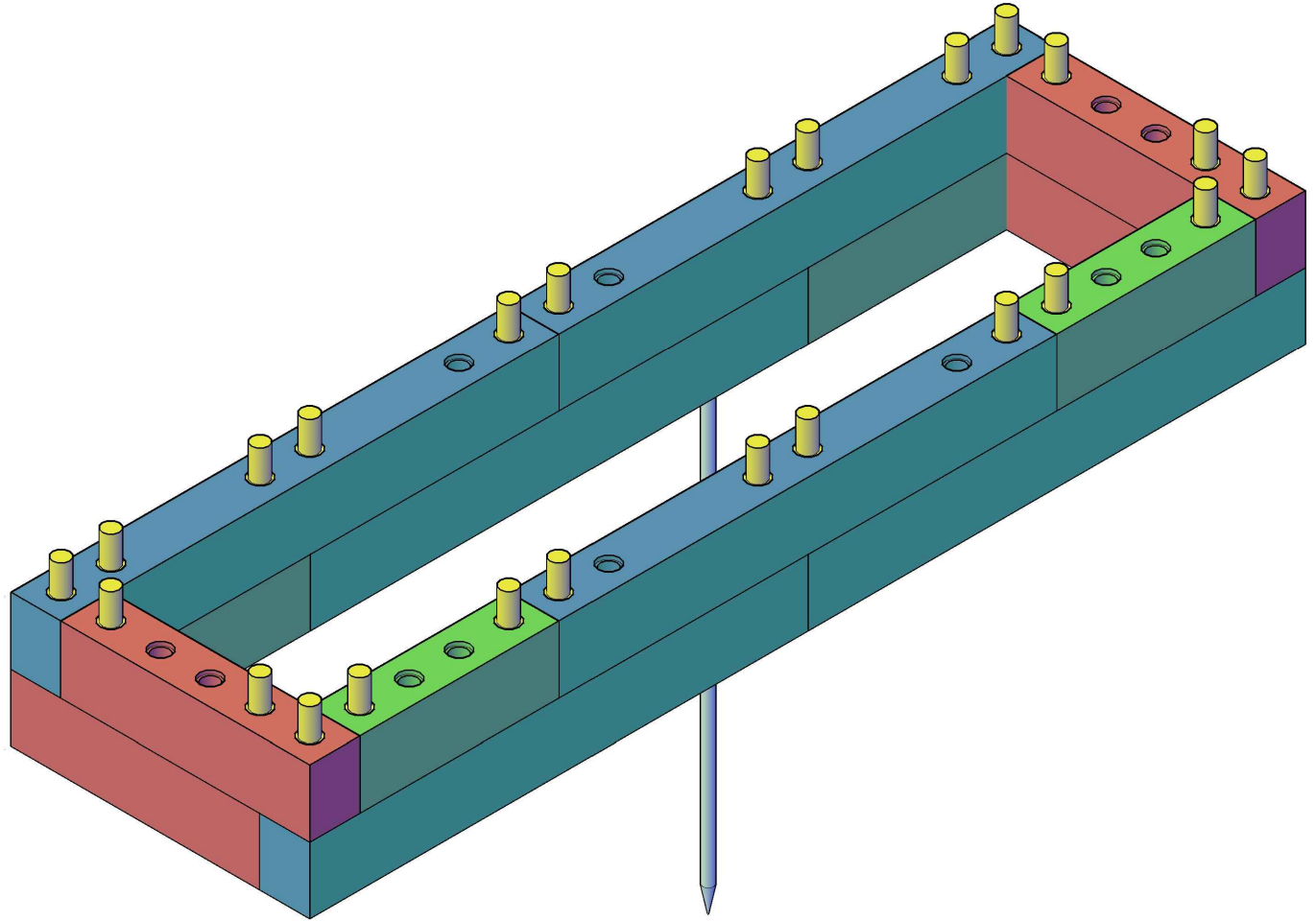
DRAWING TITLE

DESIGN VERSION

----MX----MX----M

LAYER1

WOOD BlocX



CUSTOMER NAME

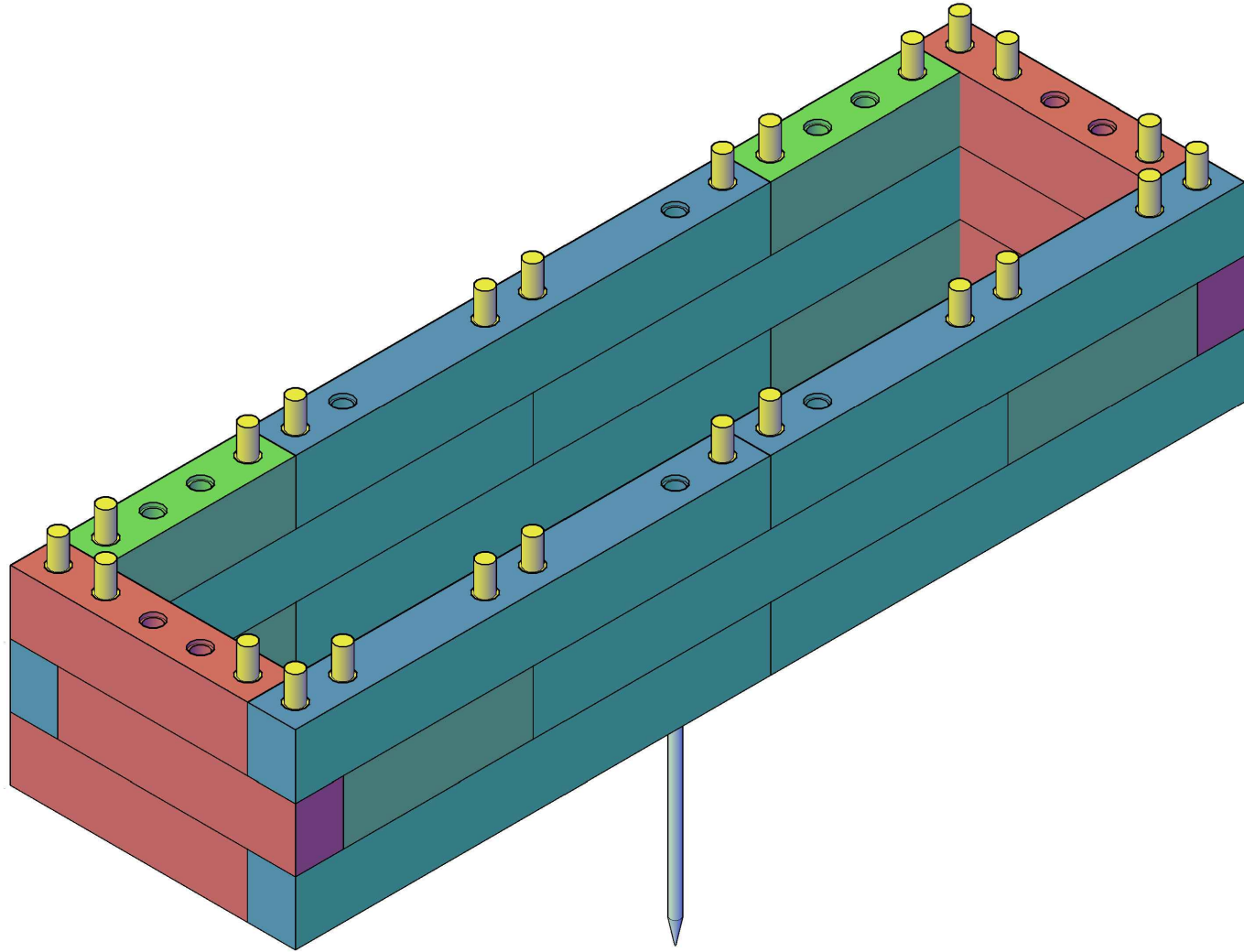
DRAWING TITLE

DESIGN VERSION

----MX----MX----M

LAYER2

WOOD BlocX



CUSTOMER NAME

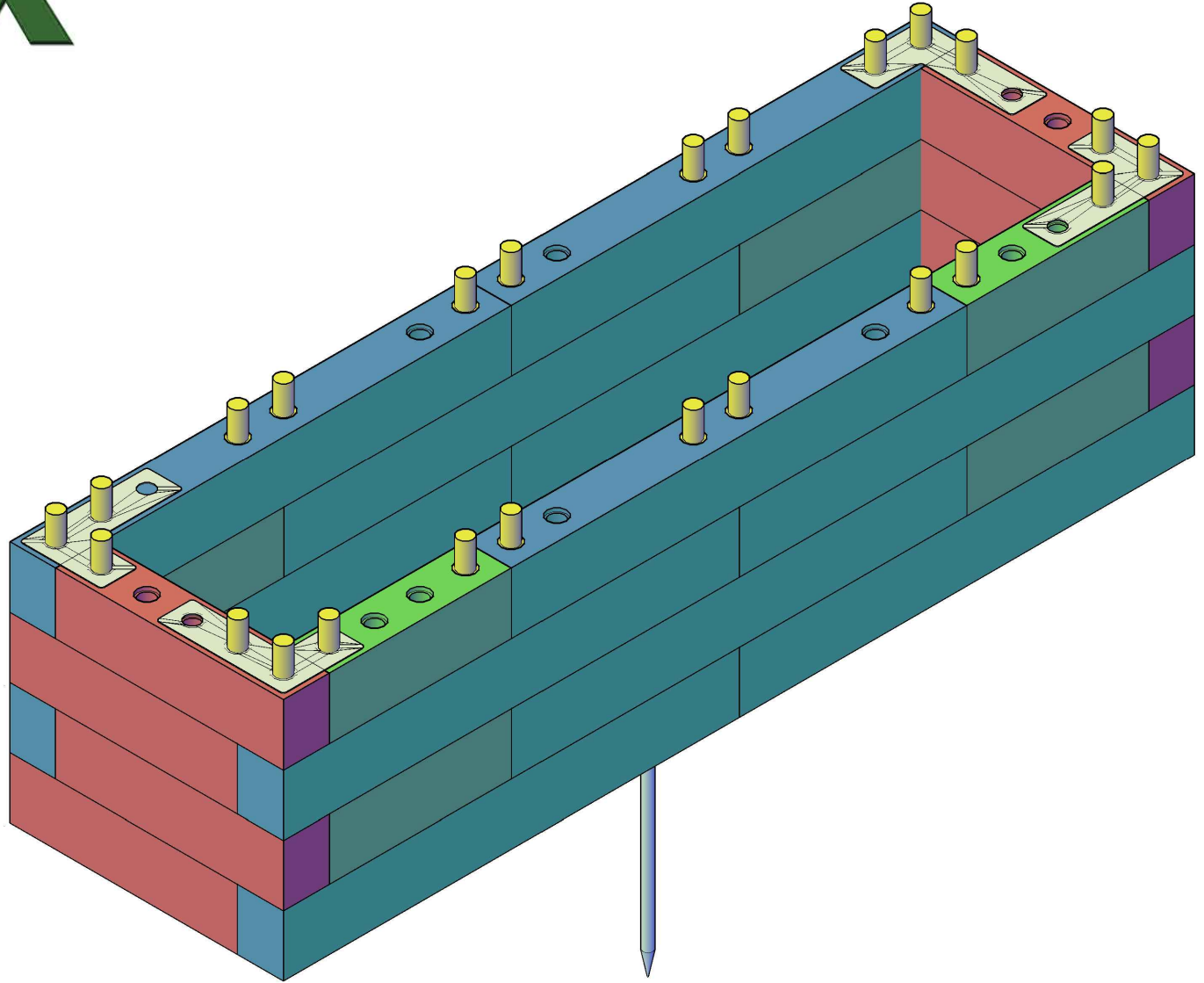
DRAWING TITLE

DESIGN VERSION

----MX----MX----M

LAYER3

WOOD BlocX



CUSTOMER NAME

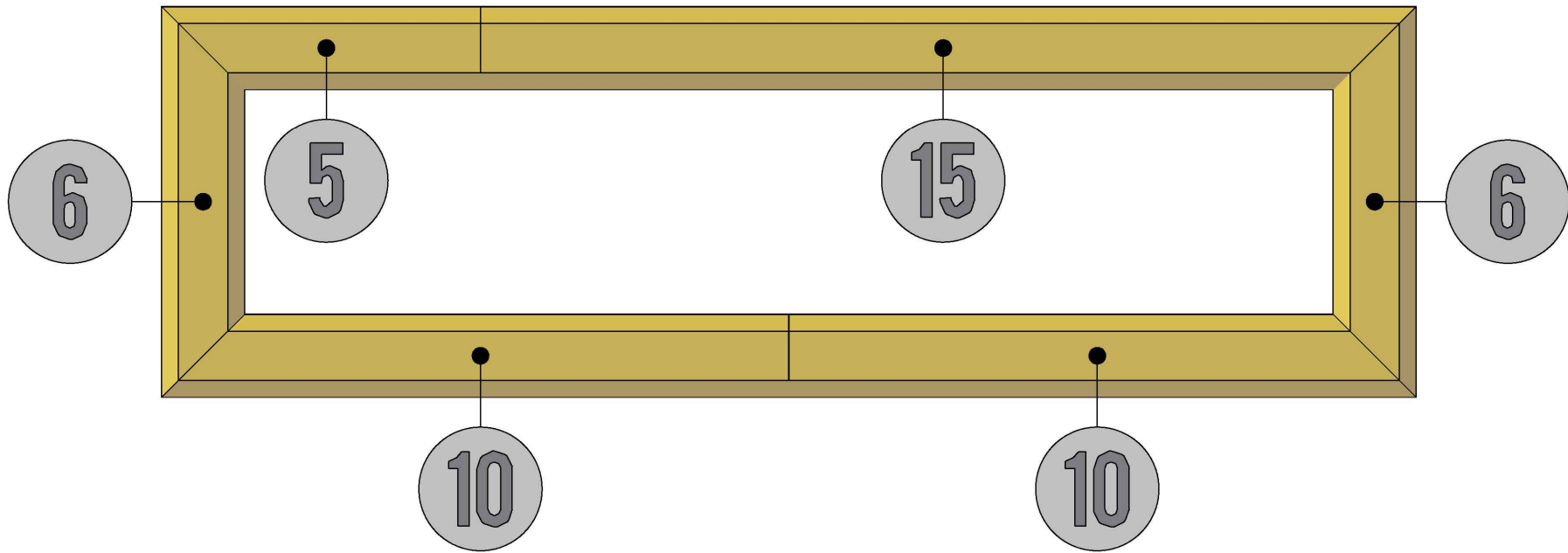
DRAWING TITLE

DESIGN VERSION

----MX----MX----M

LAYER 4

WOOD BlocX



CUSTOMER NAME

DRAWING TITLE

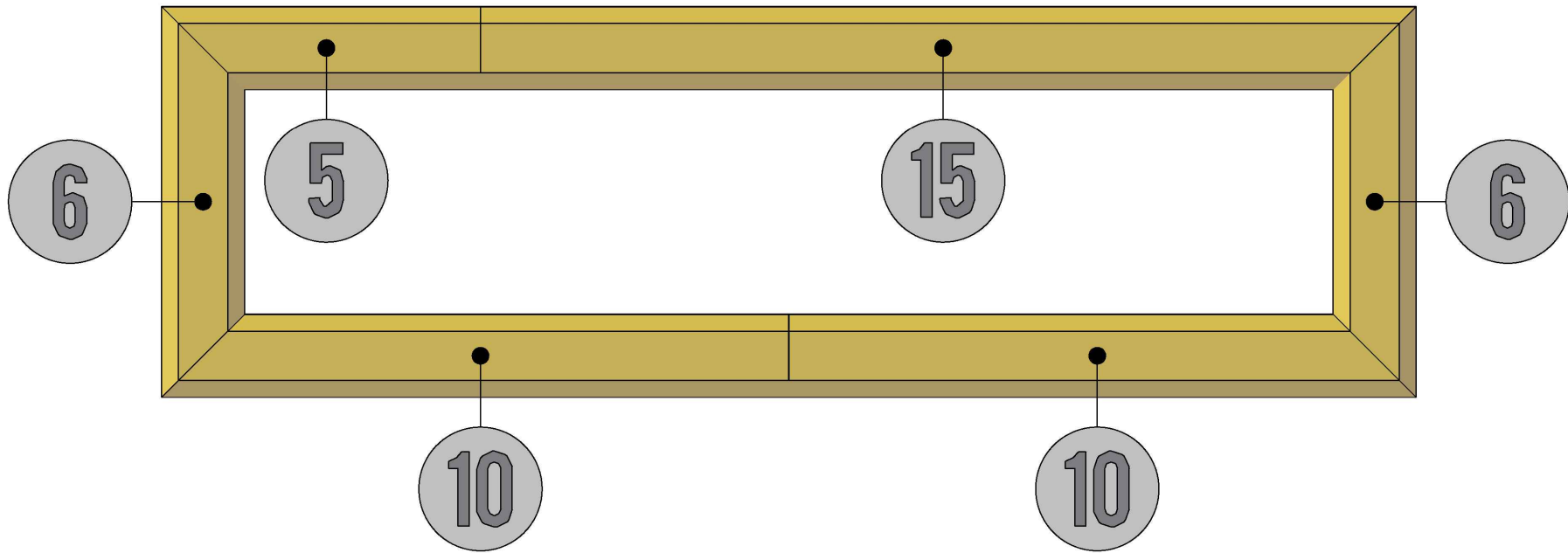
DESIGN VERSION

----MX----MX----M

CAPPINGPLAN

*NUMBERS REPRESENT NUMBER OF HOLES INCAPPING

WOOD BlocX



CUSTOMER NAME

DRAWING TITLE

DESIGN VERSION

----MX----MX----M

CAPPINGPLAN

*NUMBERS REPRESENT NUMBER OF HOLES INCAPPING