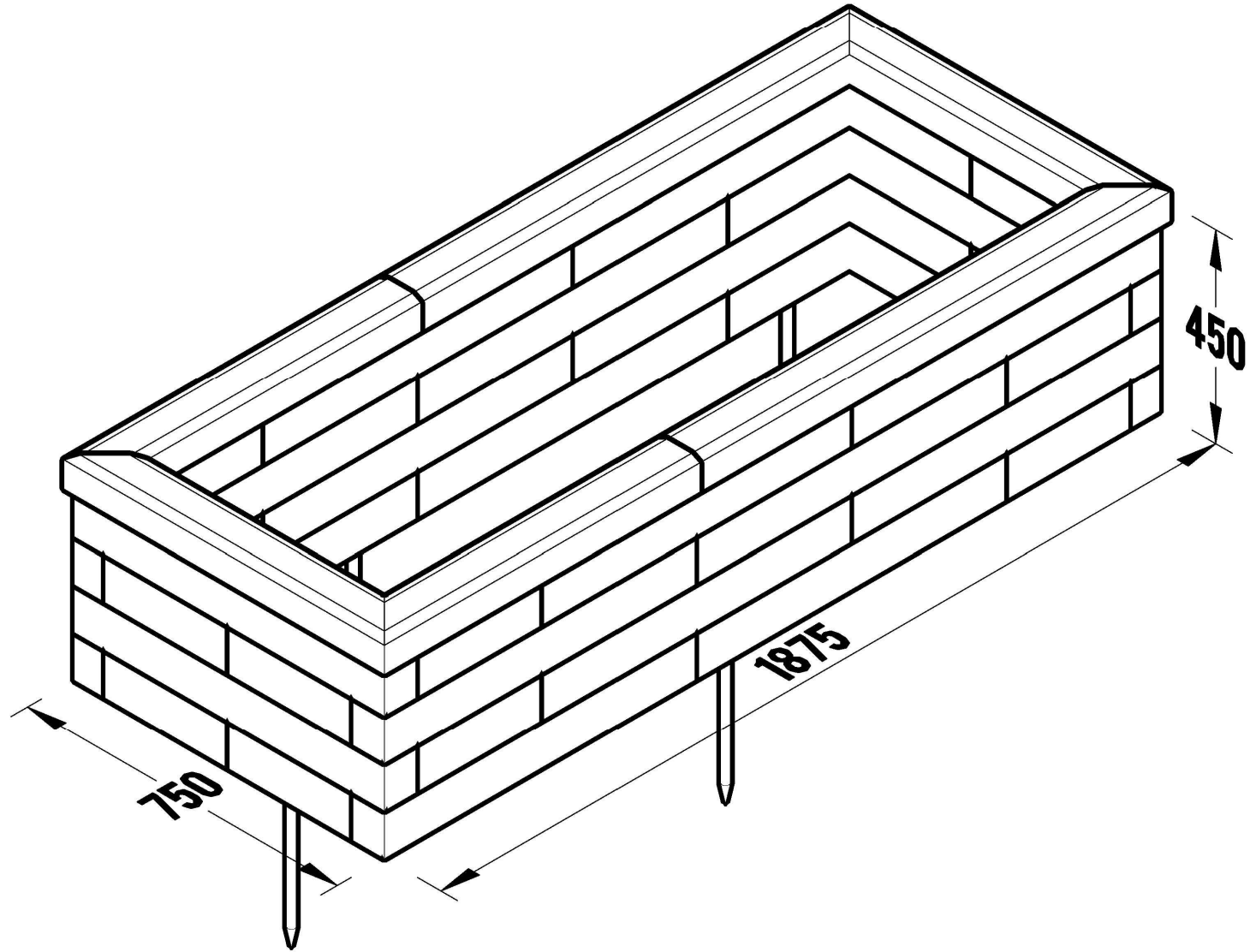


# WOOD BlocX

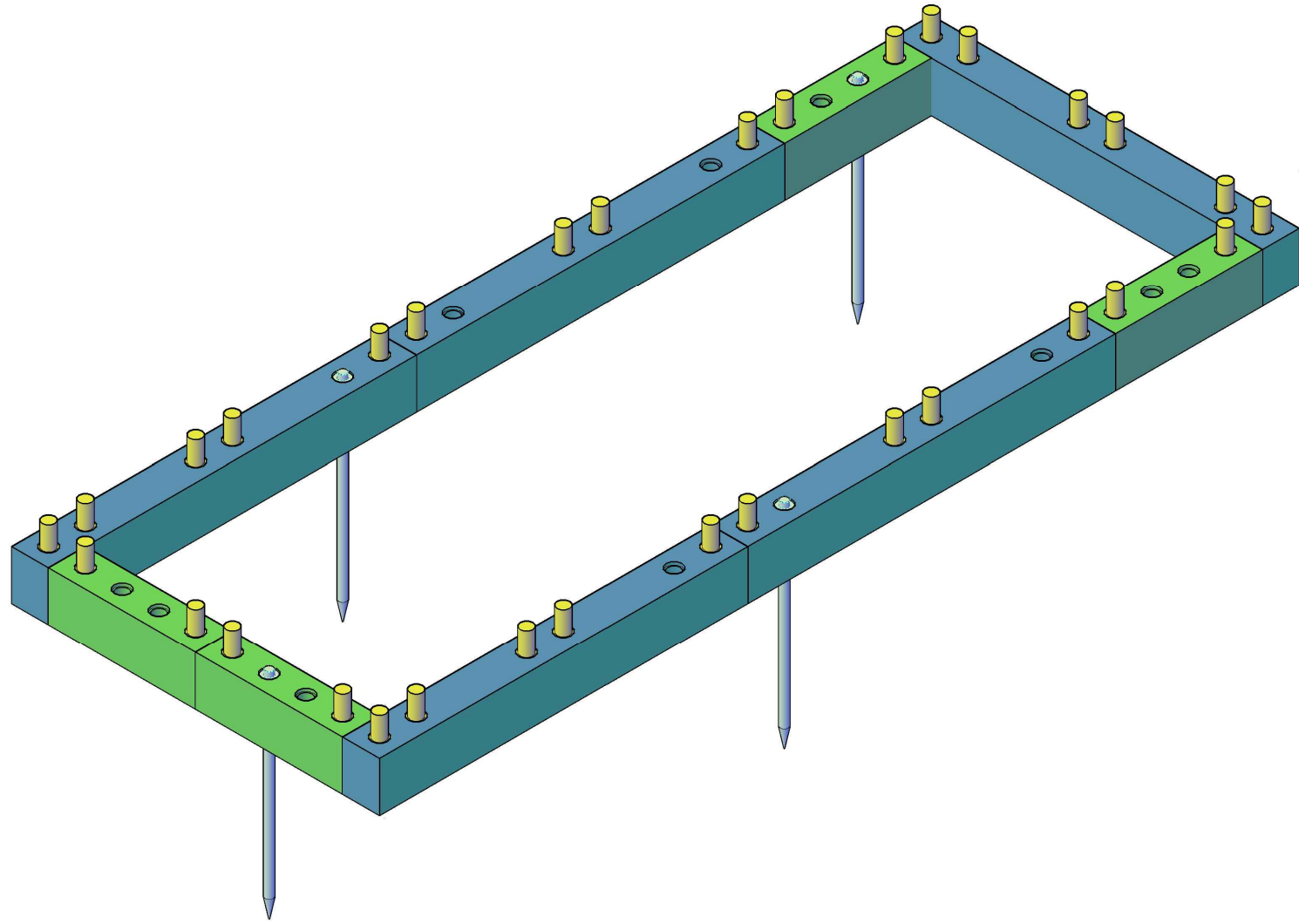


CUSTOMER NAME  
SKU00026

DRAWING TITLE  
COVER 3D

DESIGN VERSION  
1.0

# WOOD BlocX

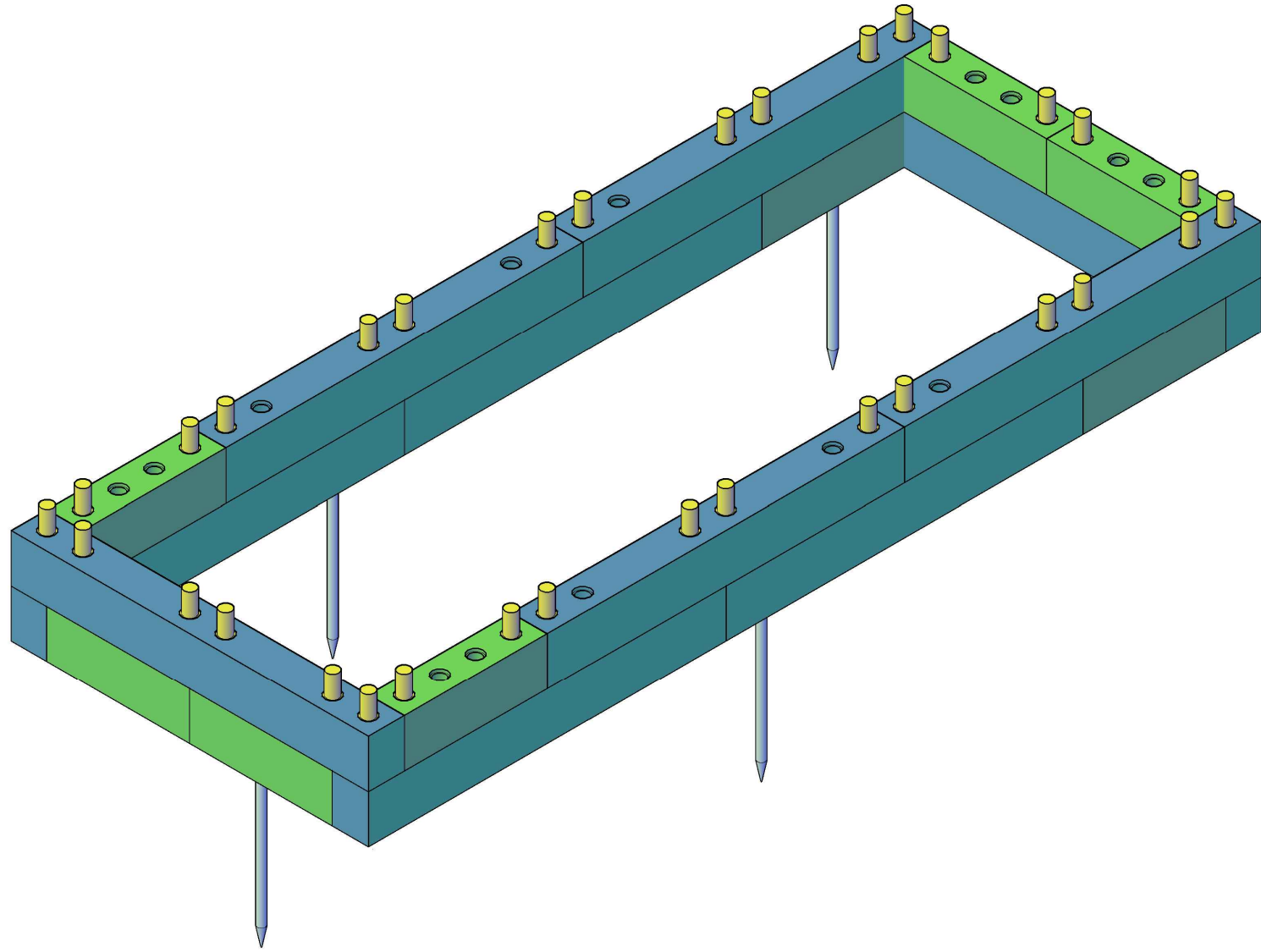


CUSTOMER NAME  
SKU00026

DRAWING TITLE  
LAYER1

DESIGN VERSION  
1.0

# WOOD BlocX



---

CUSTOMER NAME  
SKU00026

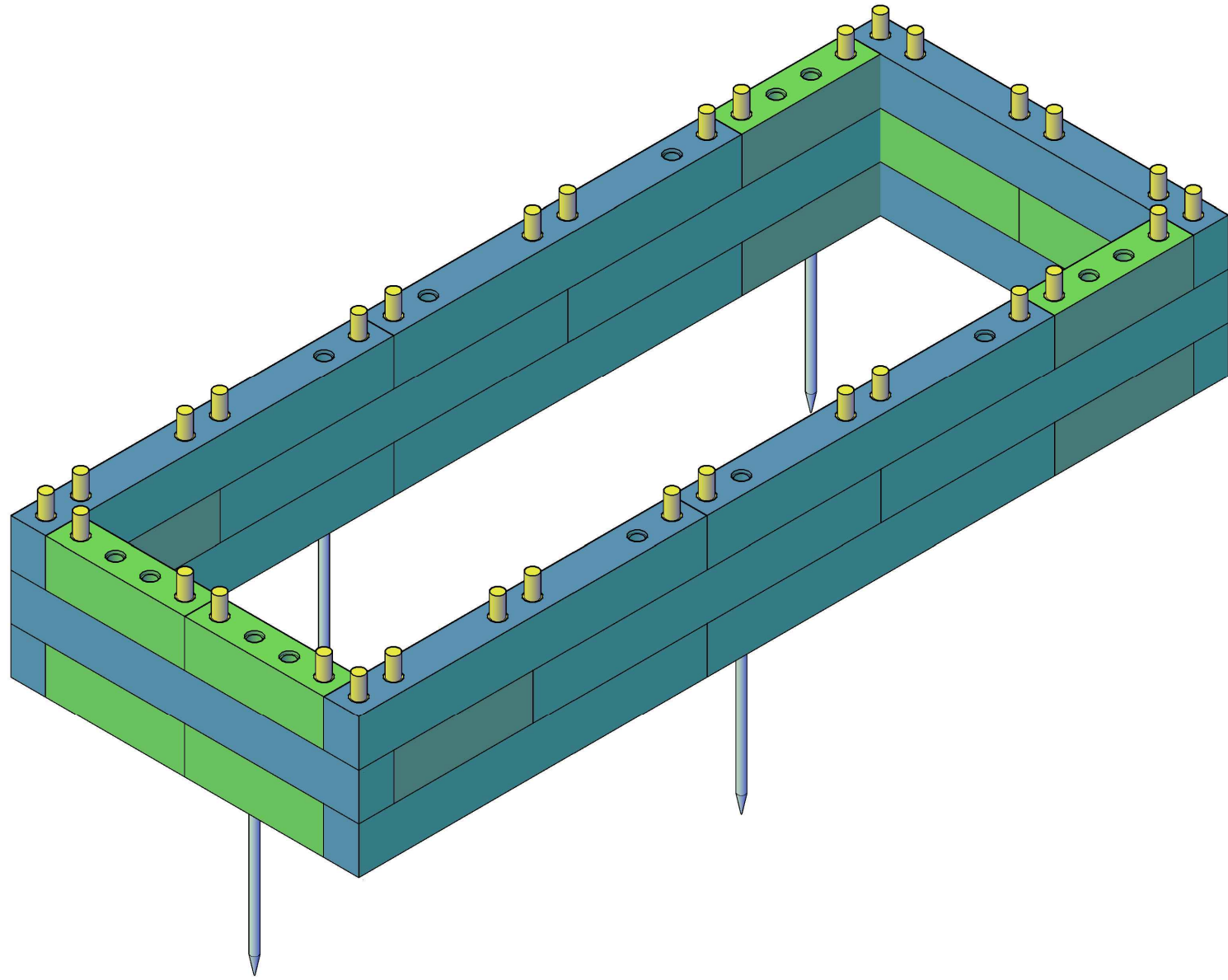
---

DRAWING TITLE  
LAYER2

---

DESIGN VERSION  
1.0

# WOOD BlocX

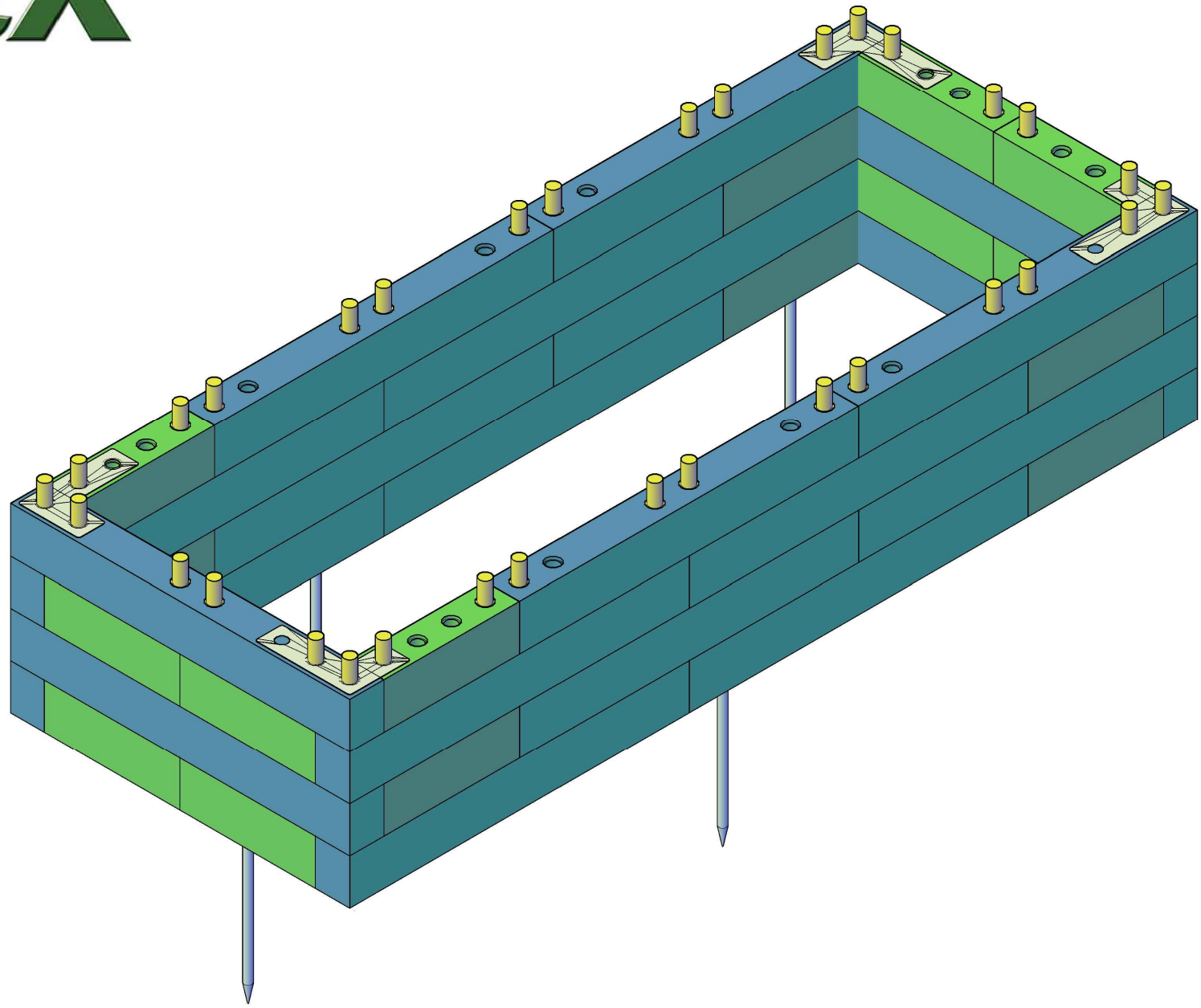


CUSTOMER NAME  
SKU00026

DRAWING TITLE  
LAYER 3

DESIGN VERSION  
1.0

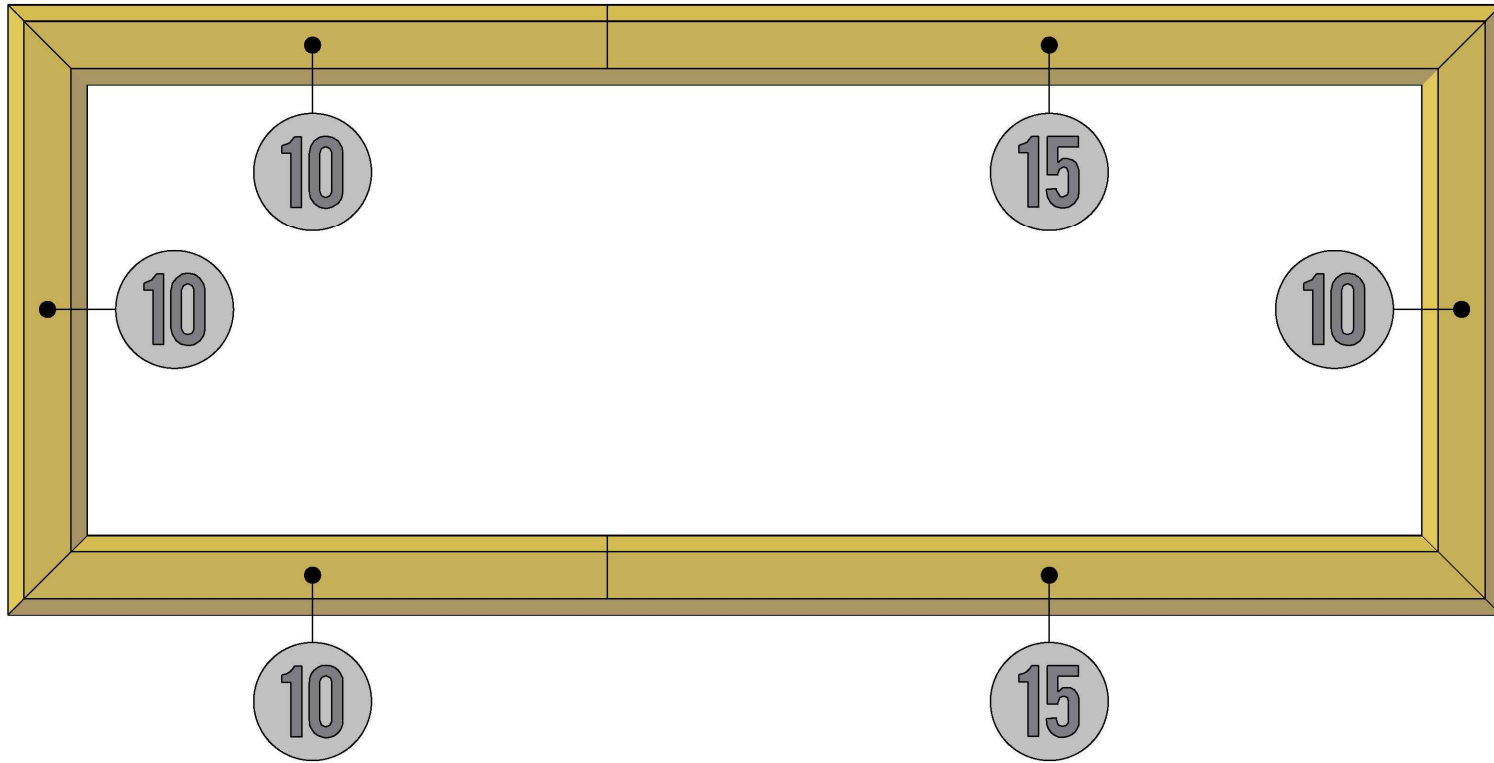
# WOOD BlocX



CUSTOMER NAME  
SKU00026

DRAWING TITLE  
LAYER 4

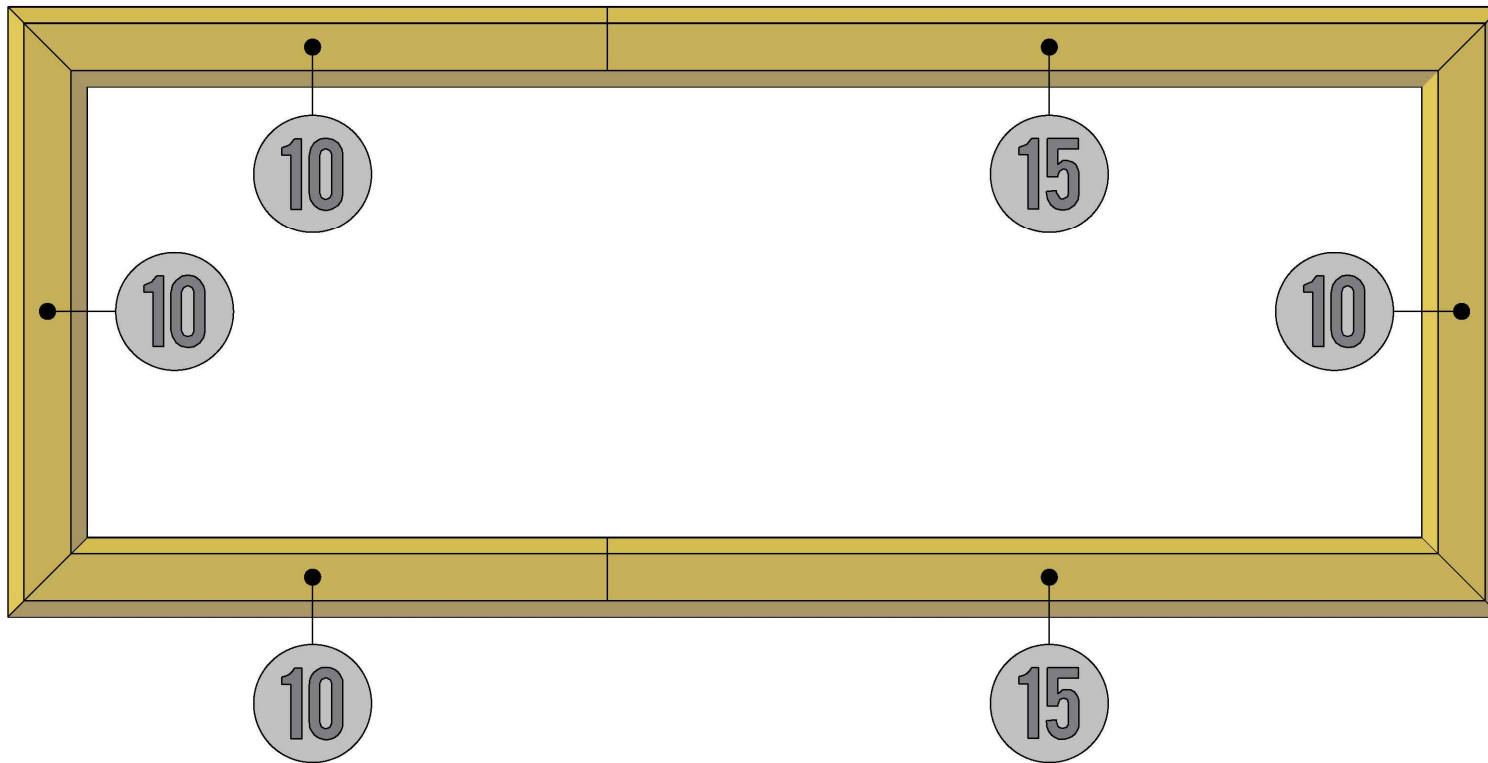
DESIGN VERSION  
1.0



CUSTOMER NAME  
SKU00026

DRAWING TITLE  
CAPPINGPLAN

DESIGN VERSION  
1.0



CUSTOMER NAME  
SKU00026

DRAWING TITLE  
CAPPINGPLAN2

DESIGN VERSION  
1.0

\*NUMBERS REPRESENT NUMBER OF HOLES IN CAPPING