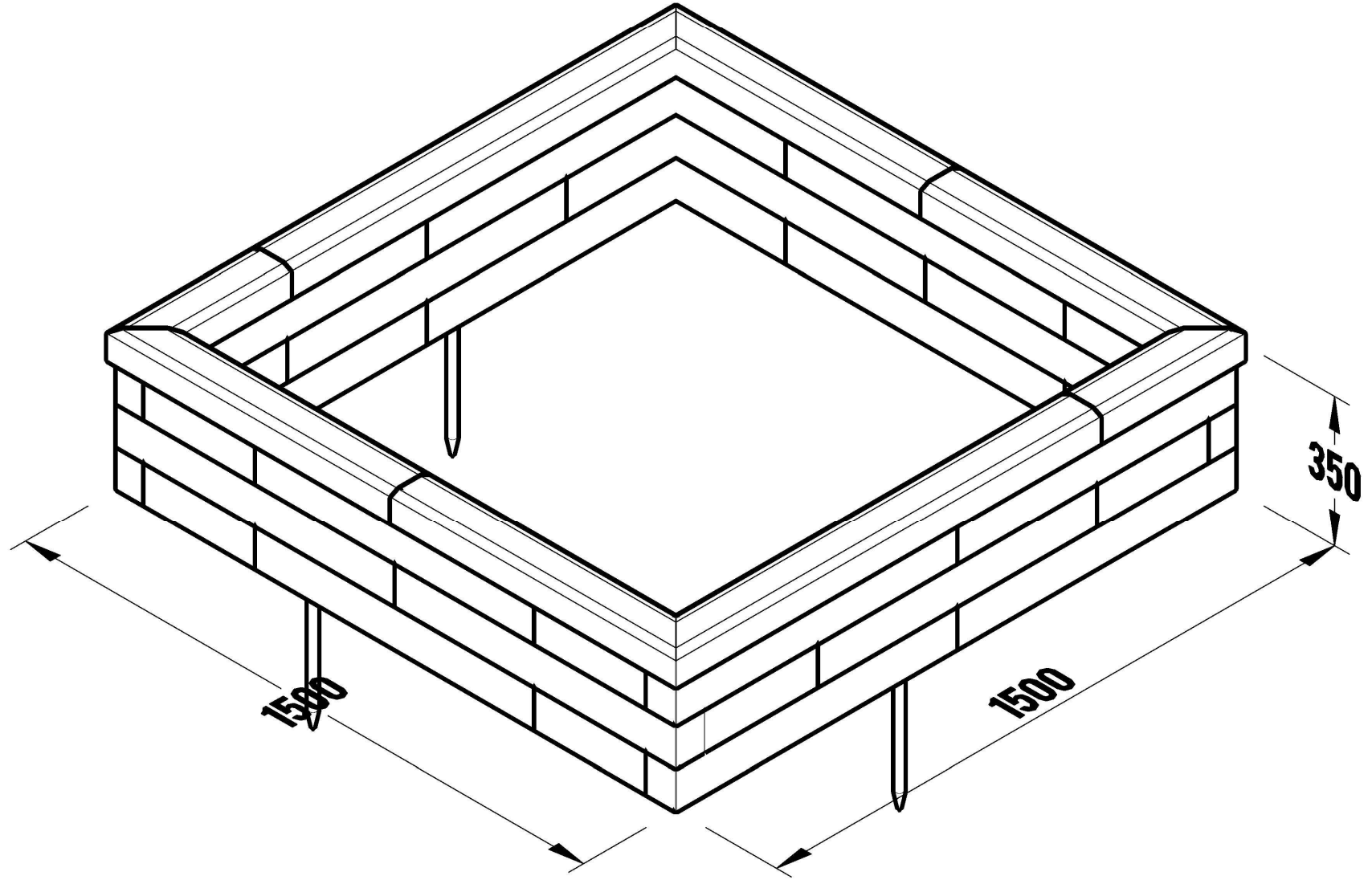


# WOOD BlocX



CUSTOMER NAME

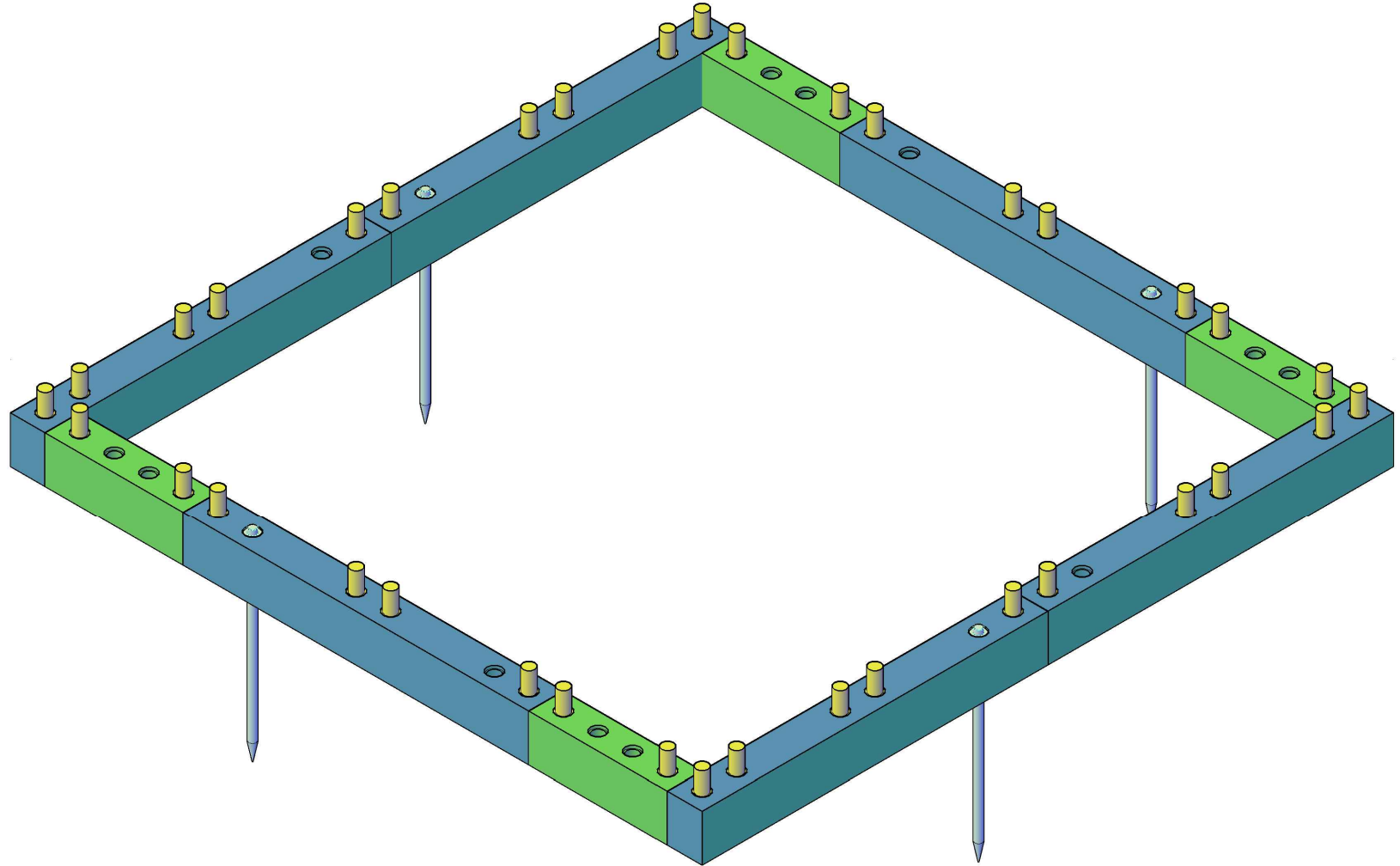
#####

DRAWING TITLE

COVER 3D

DESIGN VERSION

# WOOD BlocX



CUSTOMER NAME

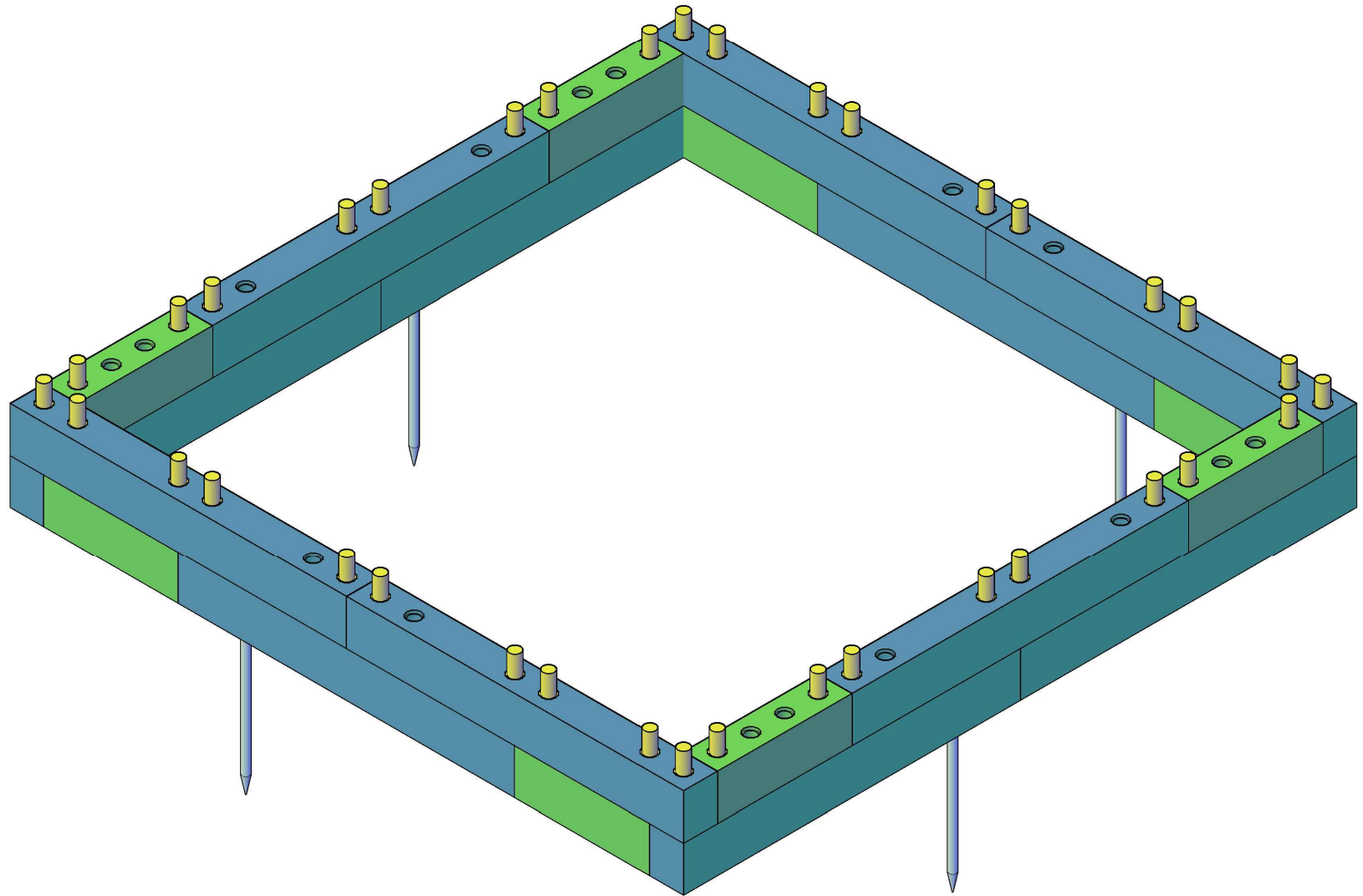
#####

DRAWING TITLE

LAYER1

DESIGN VERSION

# WOOD BlocX



CUSTOMER NAME

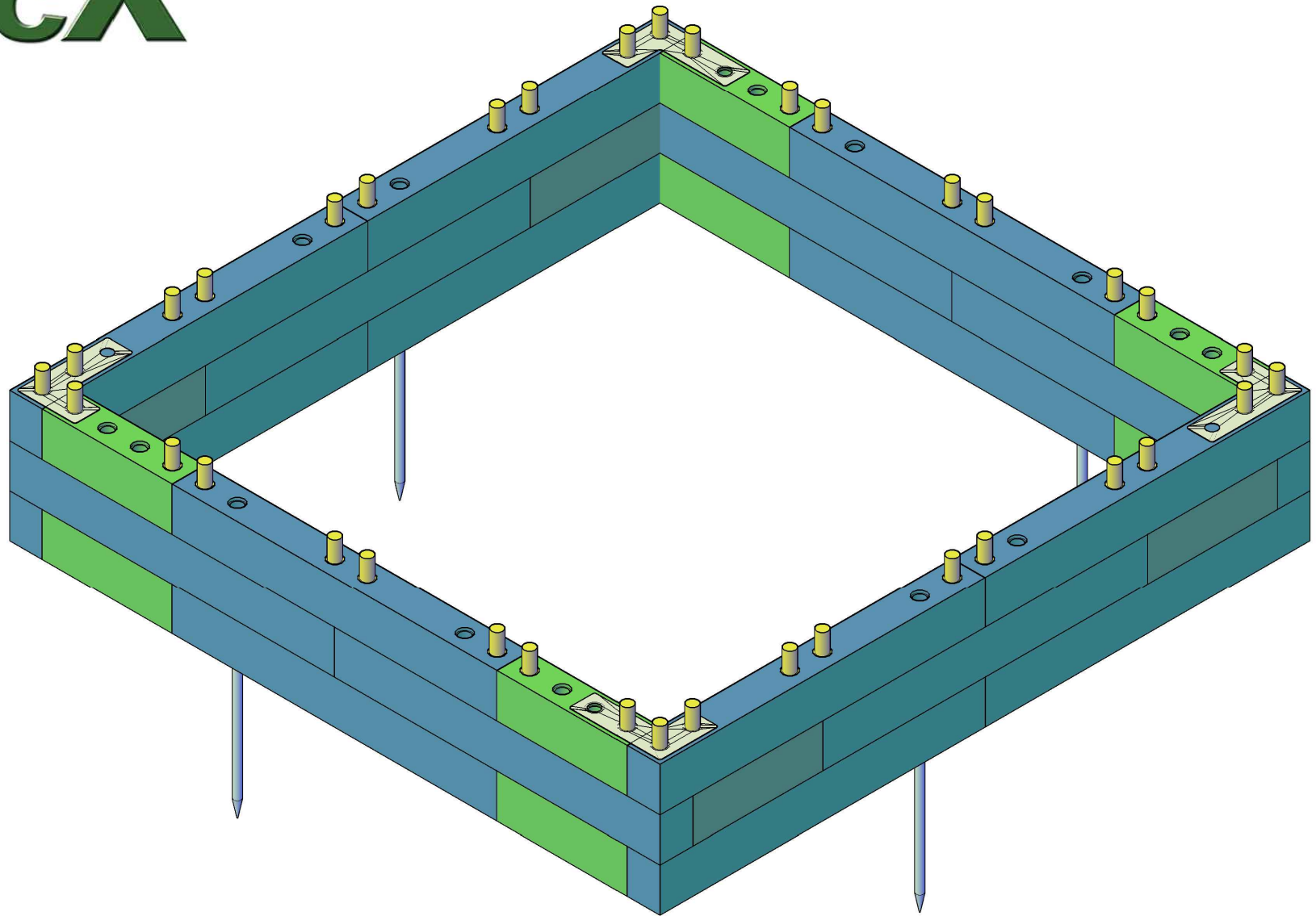
#####

DRAWING TITLE

LAYER2

DESIGN VERSION

# WOOD BlocX



CUSTOMER NAME

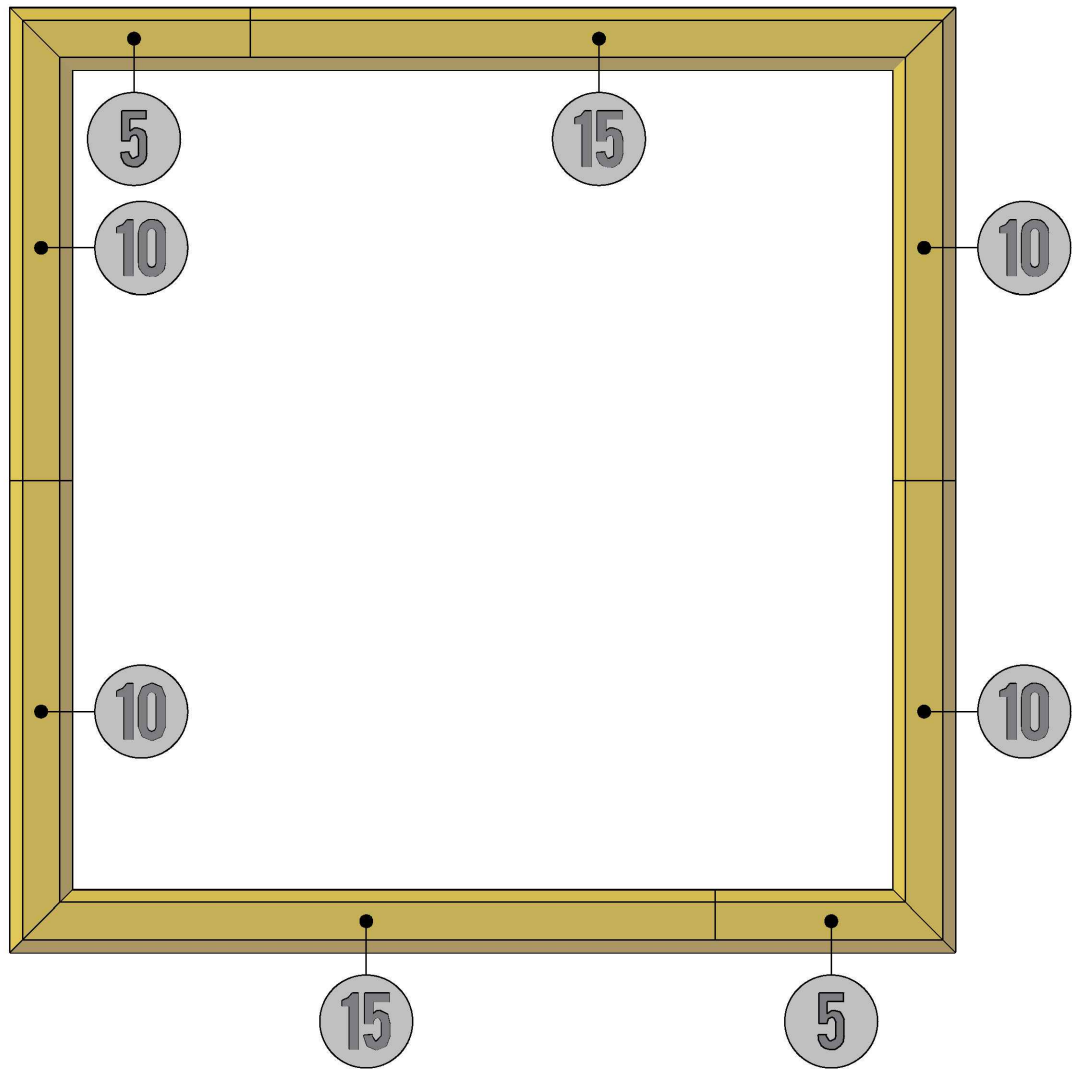
#####

DRAWING TITLE

LAYER3

DESIGN VERSION

# WOOD BlocX



CUSTOMER NAME

DRAWING TITLE

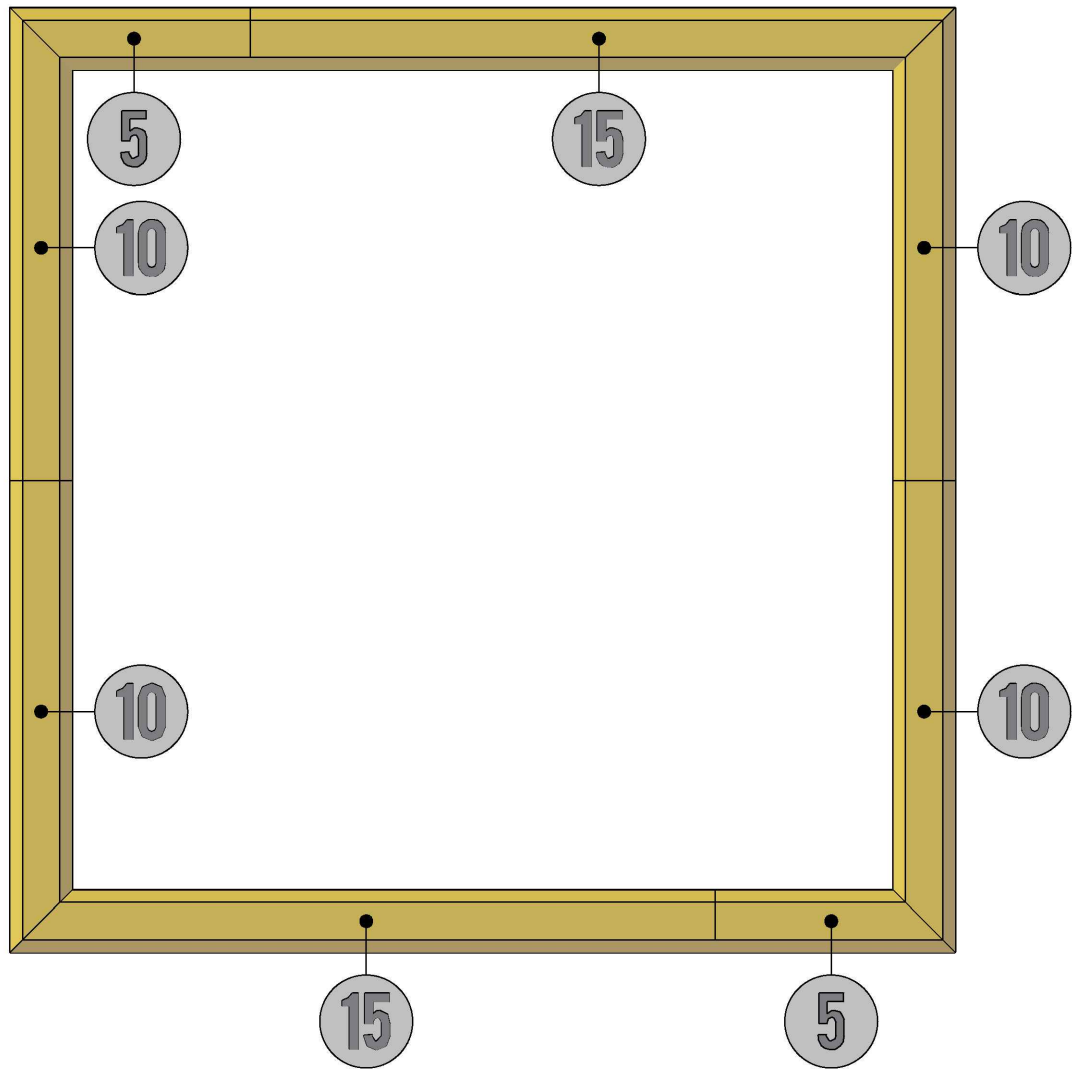
DESIGN VERSION

\*NUMBERS REPRESENT NUMBER OF HOLES IN CAPPING

#####

CAPPING PLAN

# WOOD BlocX



CUSTOMER NAME

#####

DRAWING TITLE

CAPPINGPLAN

DESIGN VERSION

\*NUMBERS REPRESENT NUMBER OF HOLES INCAPPING