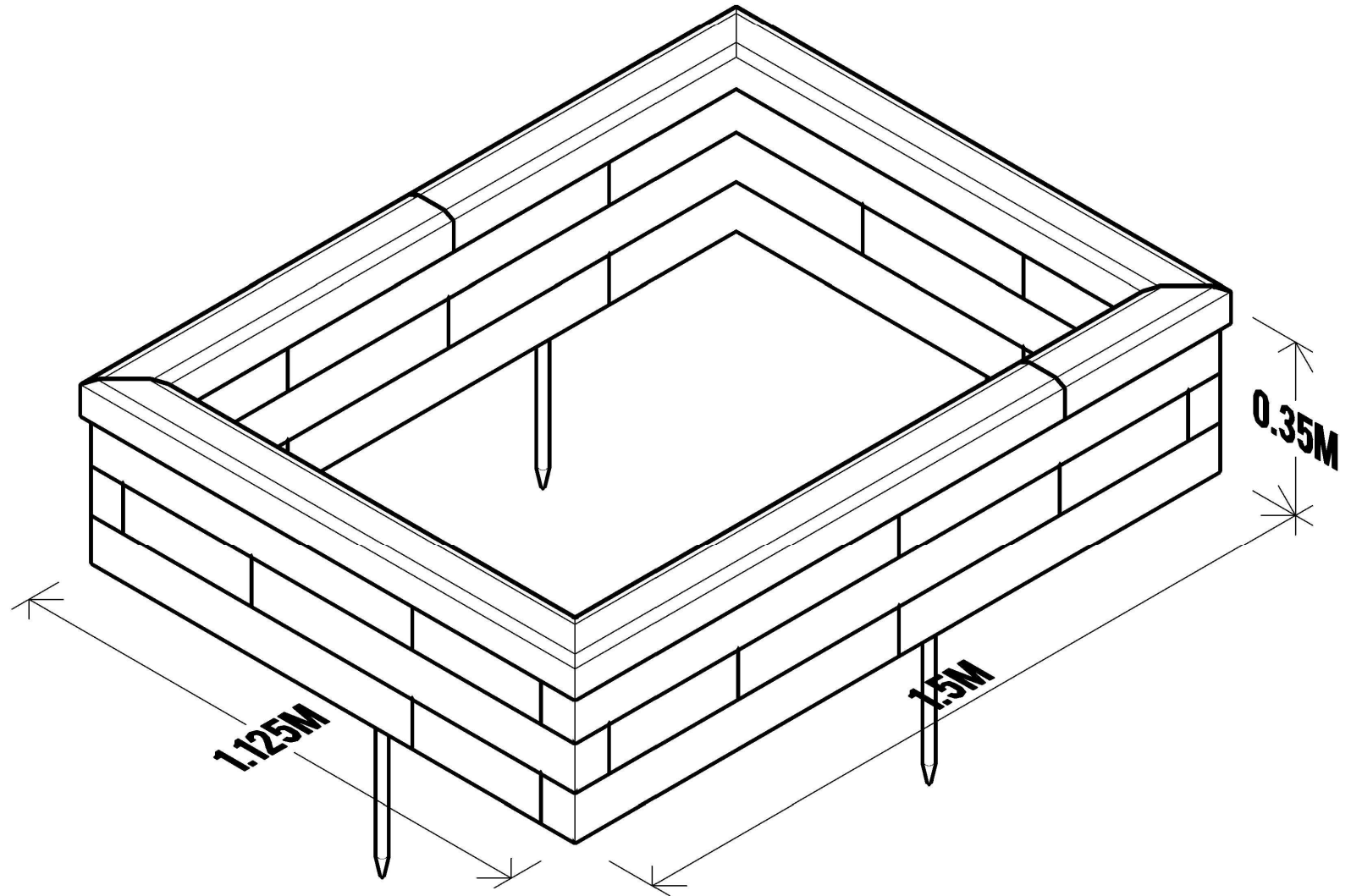


WOOD BlocX



CUSTOMER NAME

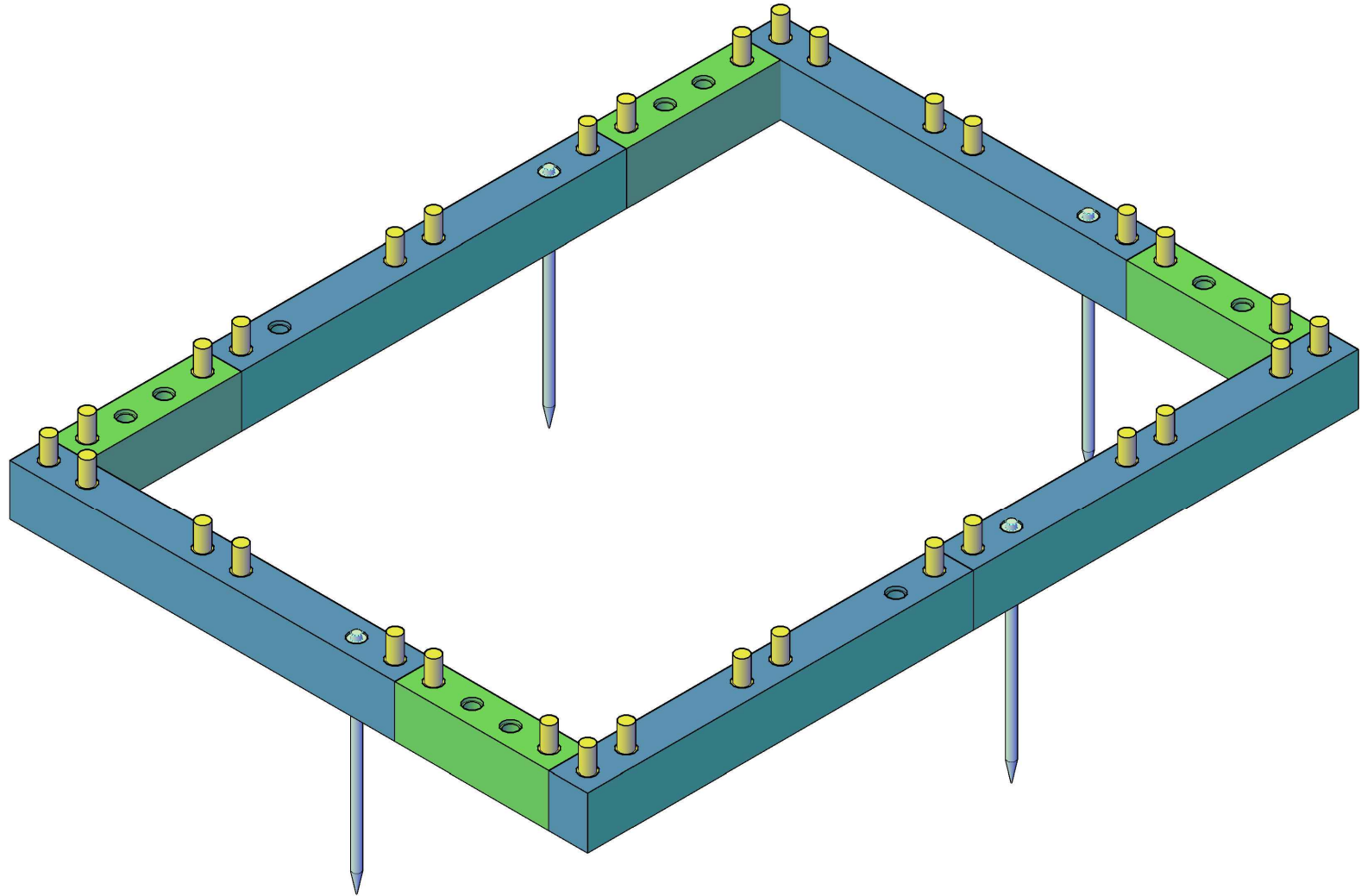
#####

DRAWING TITLE

COVER 3D

DESIGN VERSION

WOOD BlocX



CUSTOMER NAME

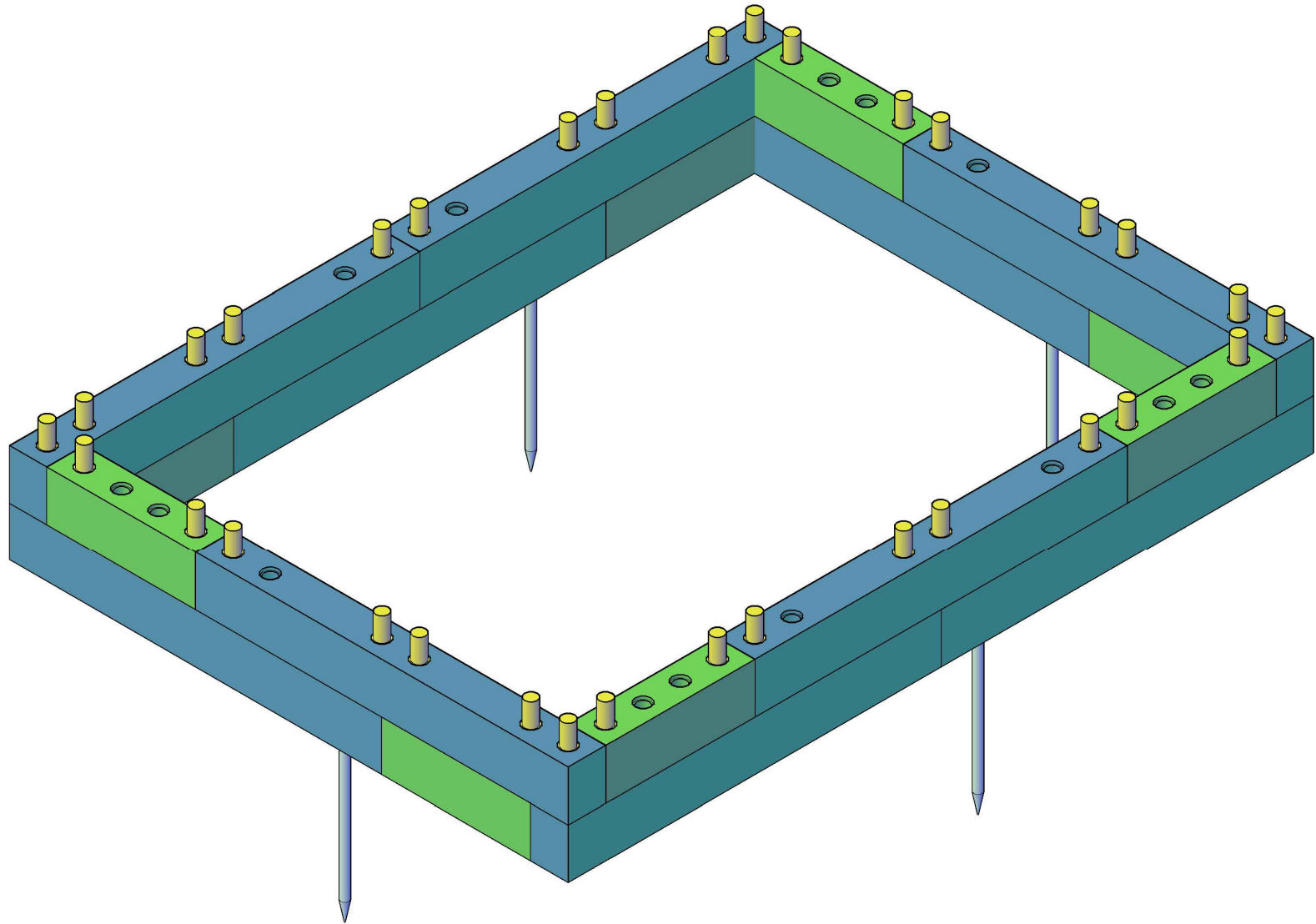
#####

DRAWING TITLE

LAYER1

DESIGN VERSION

WOOD BlocX



CUSTOMER NAME

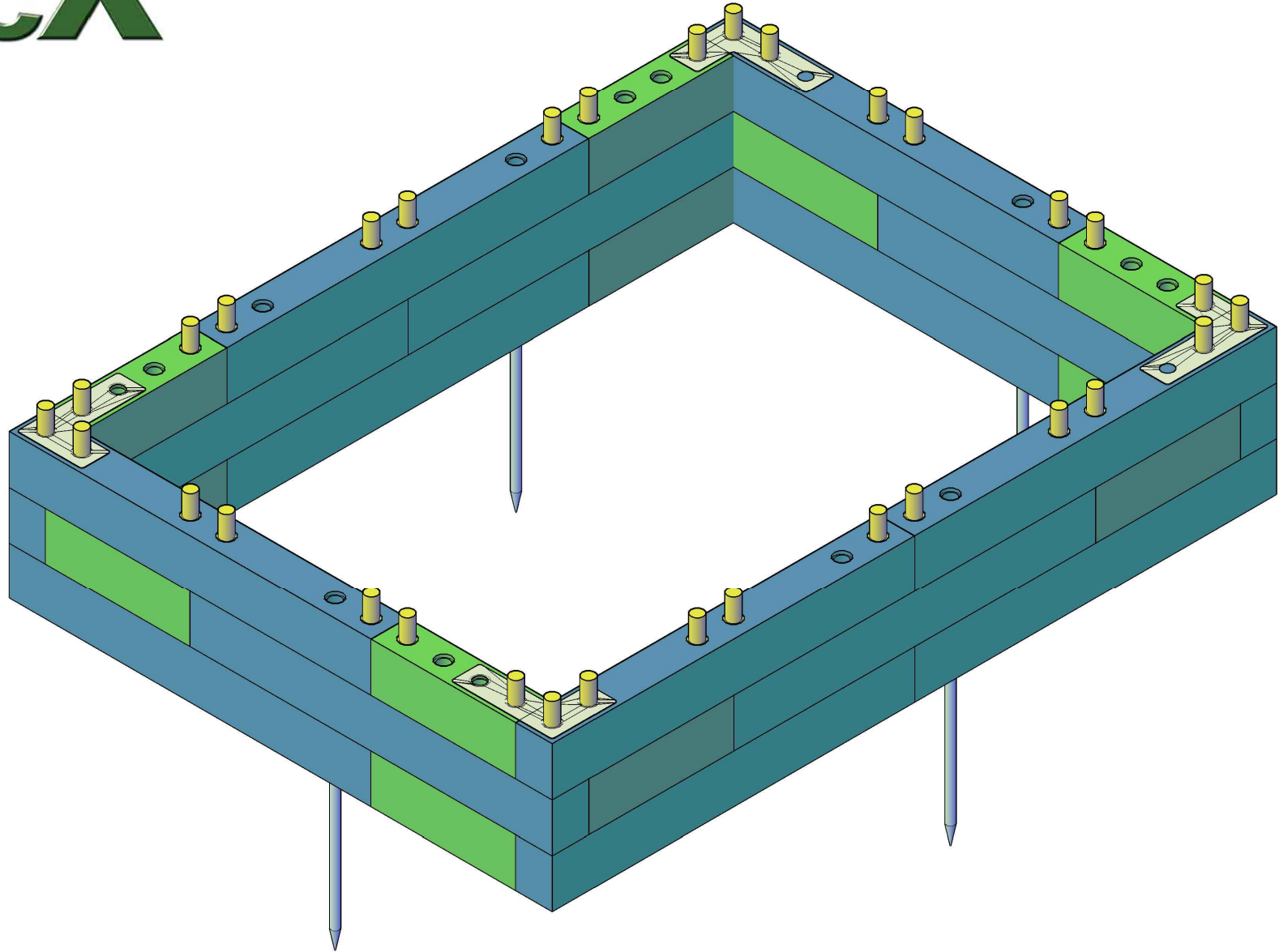
#####

DRAWING TITLE

LAYER2

DESIGN VERSION

WOOD BlocX



CUSTOMER NAME

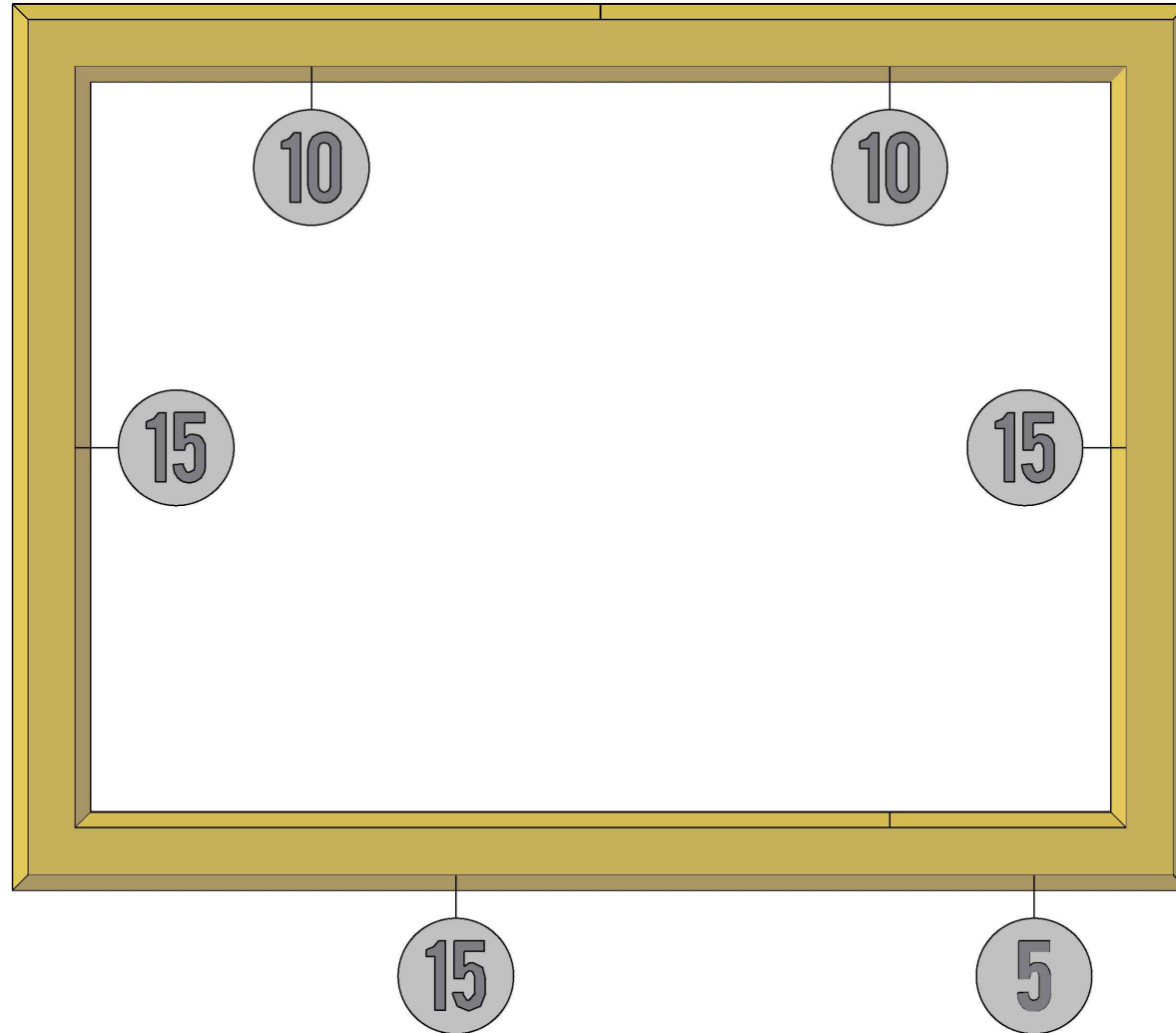
#####

DRAWING TITLE

LAYER3

DESIGN VERSION

WOOD BlocX



CUSTOMER NAME

DRAWING TITLE

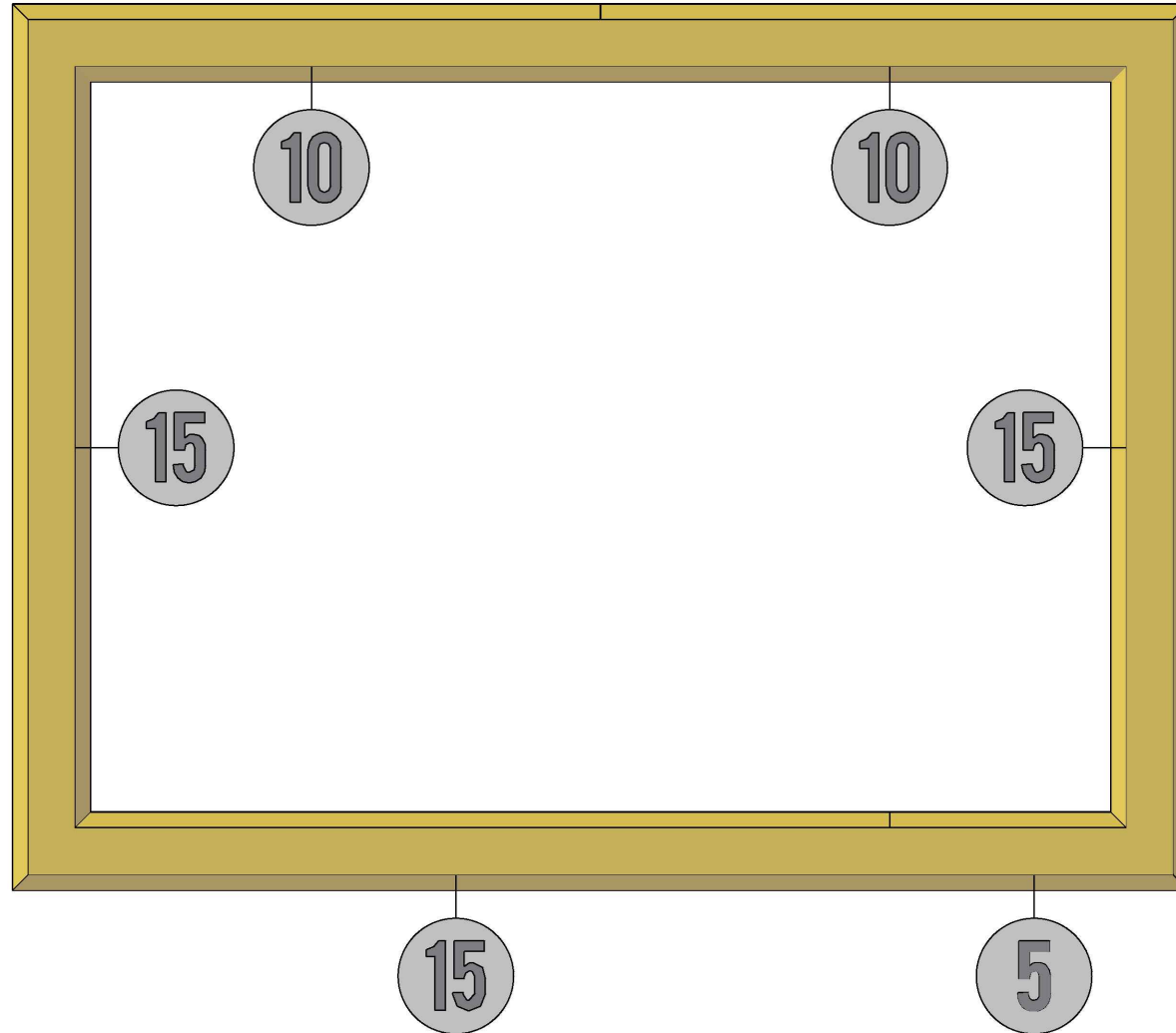
DESIGN VERSION

*NUMBERS REPRESENT NUMBER OF HOLES IN CAPPING

#####

CAPPING PLAN

WOOD BlocX



CUSTOMER NAME

DRAWING TITLE

DESIGN VERSION

*NUMBERS REPRESENT NUMBER OF HOLES IN CAPPING

#####

CAPPING PLAN