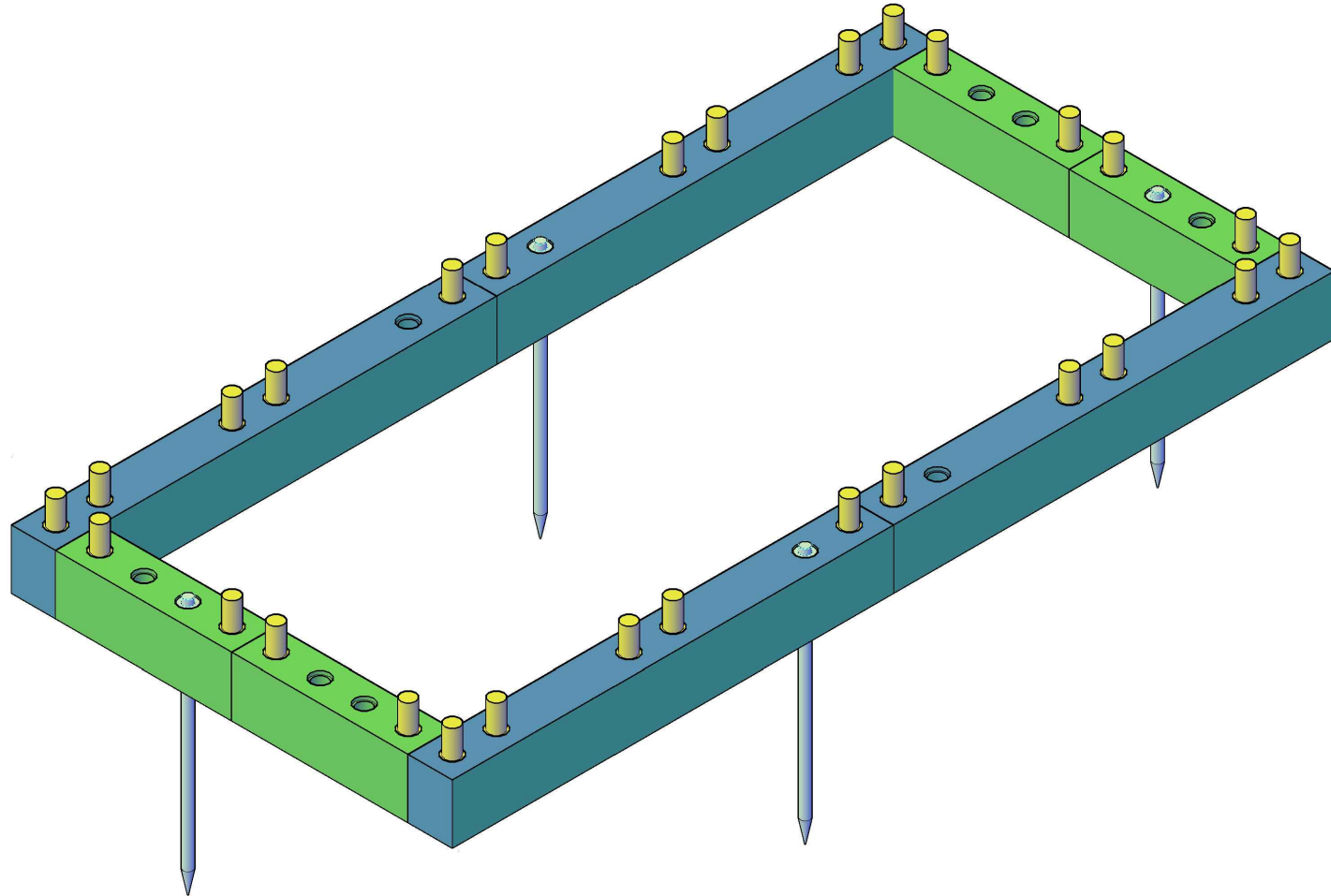
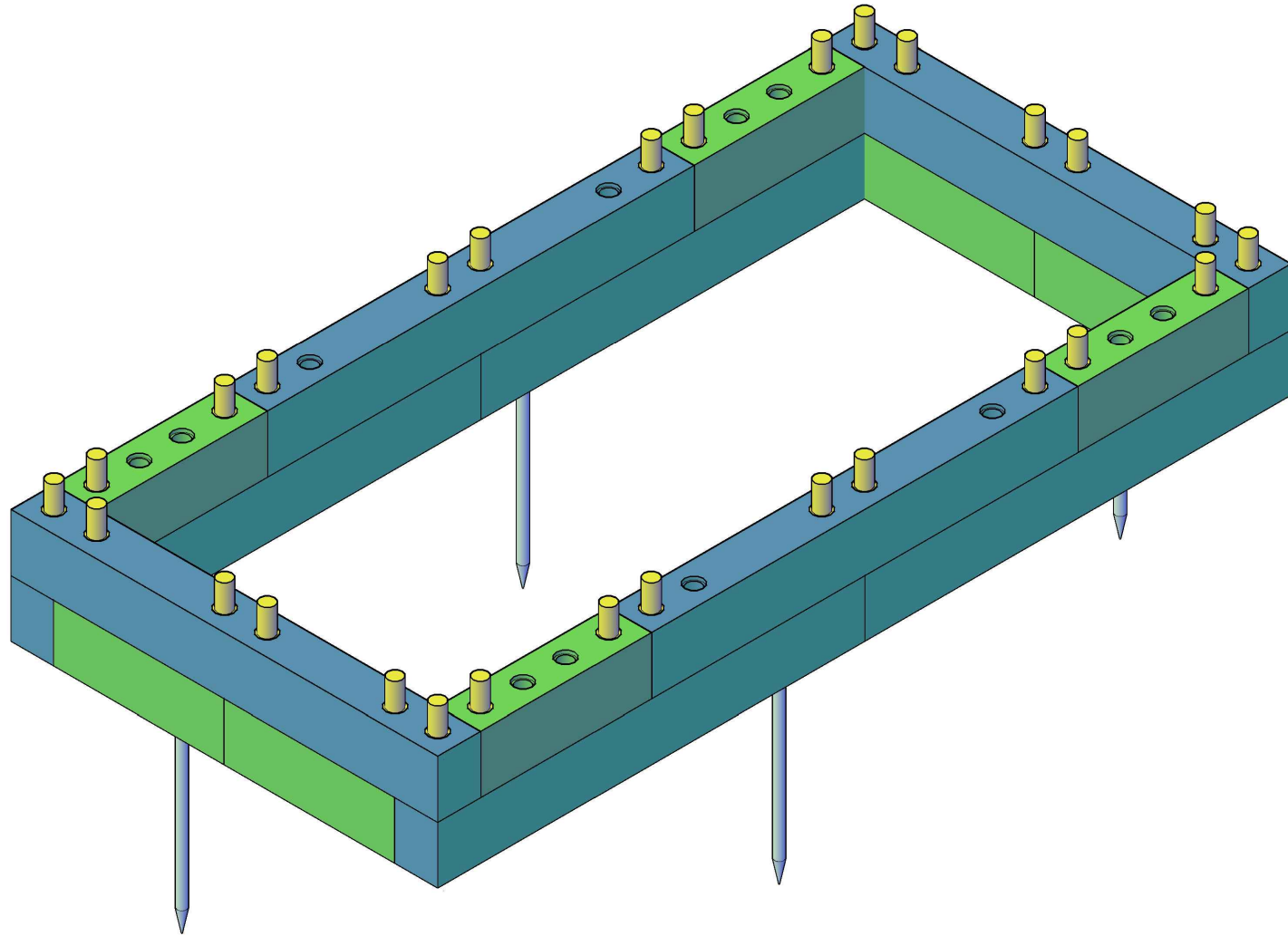


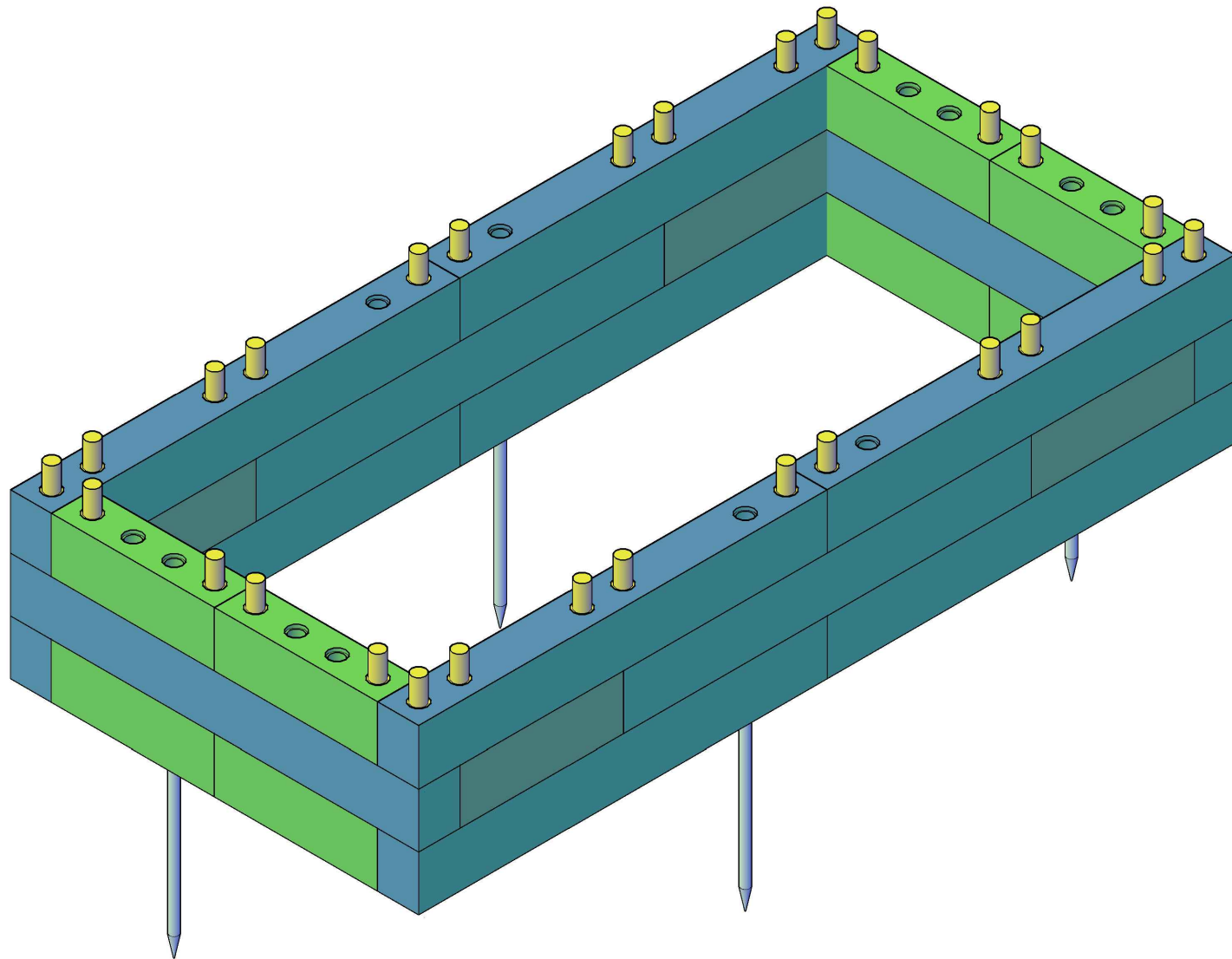
# WOOD BlocX



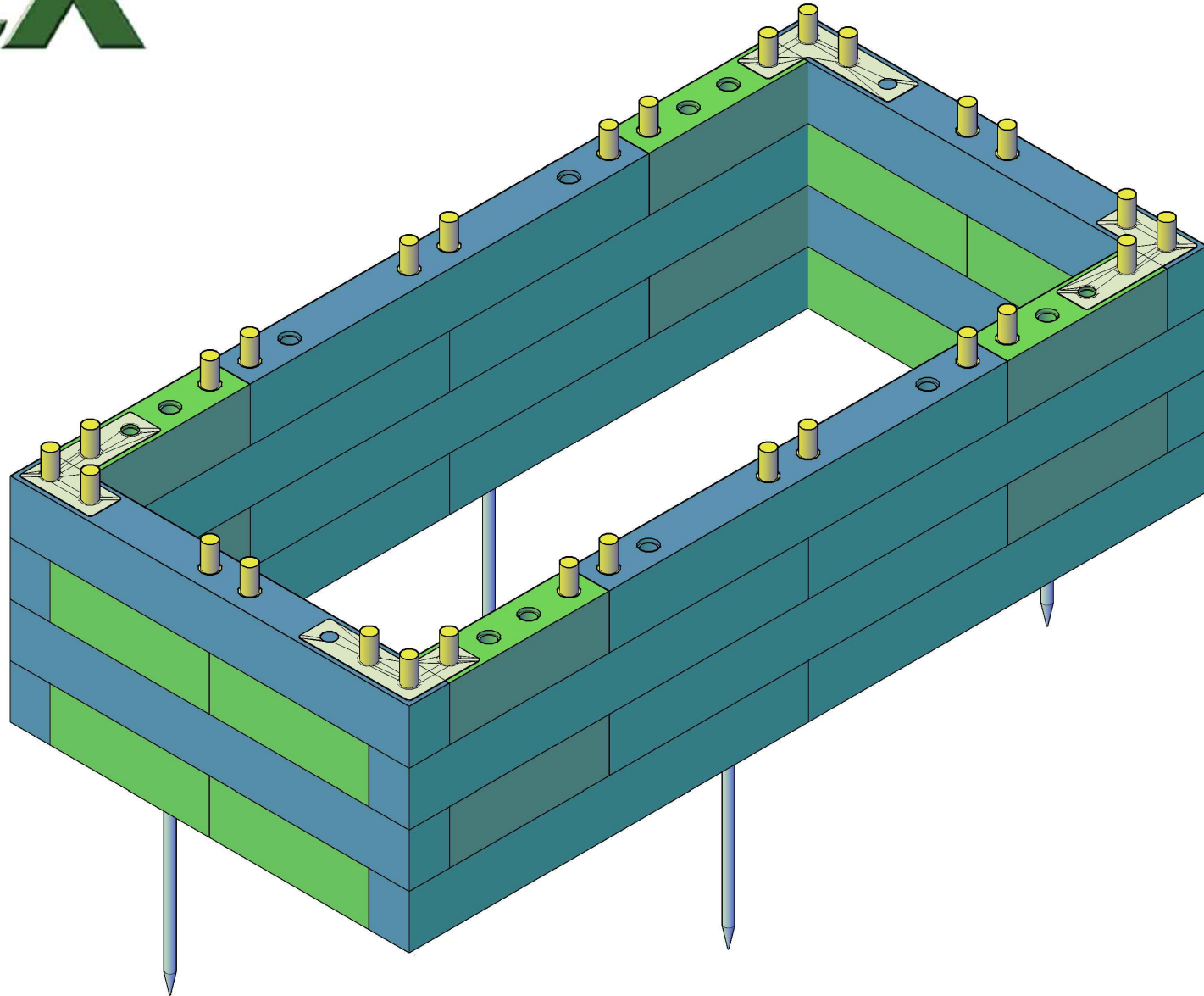
# WOOD BlocX

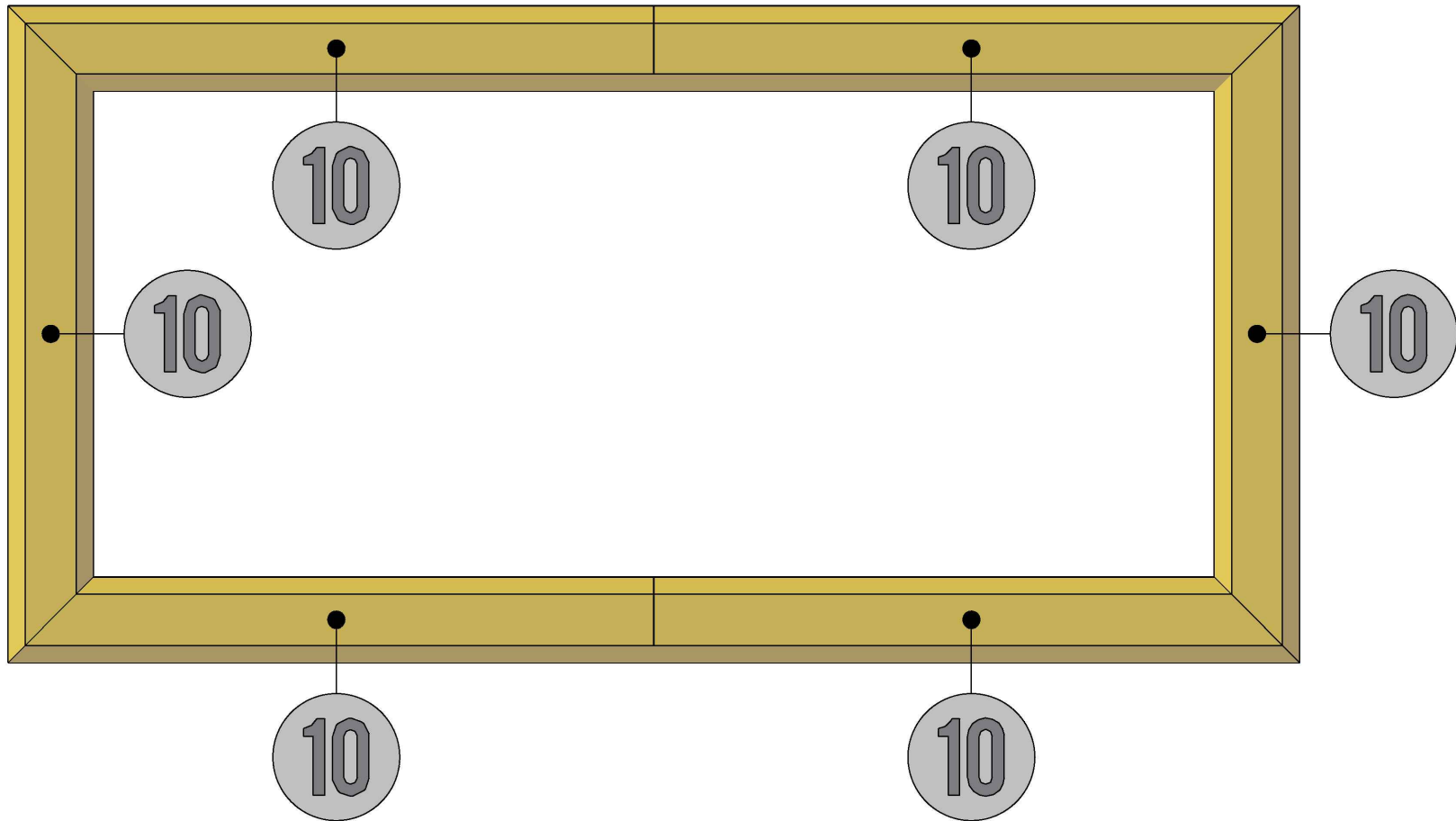


# WOOD BlocX

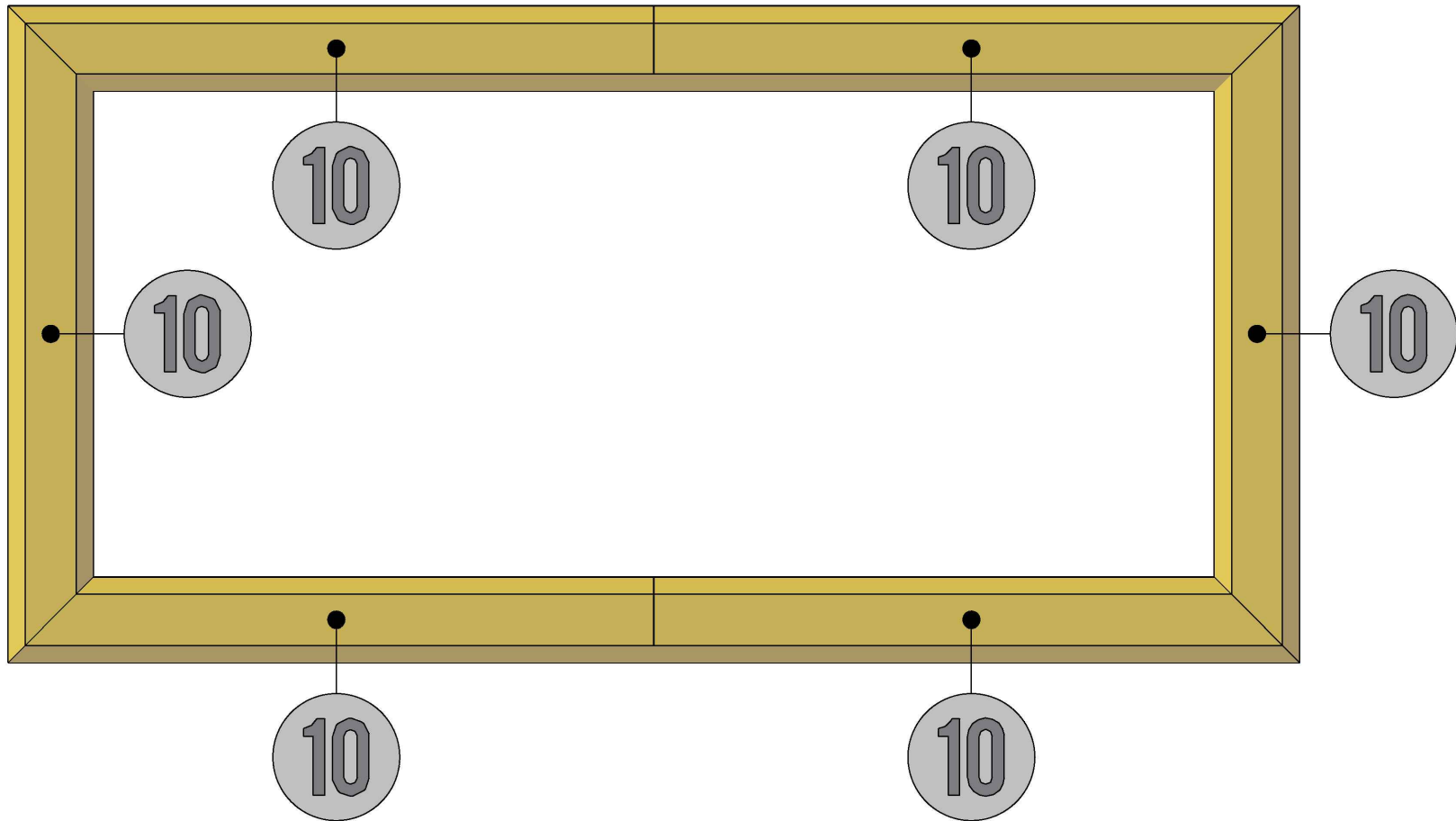


# WOOD BlocX





\*NUMBERS REPRESENT NUMBER OF HOLES INCAPPING



\*NUMBERS REPRESENT NUMBER OF HOLES IN CAPPING