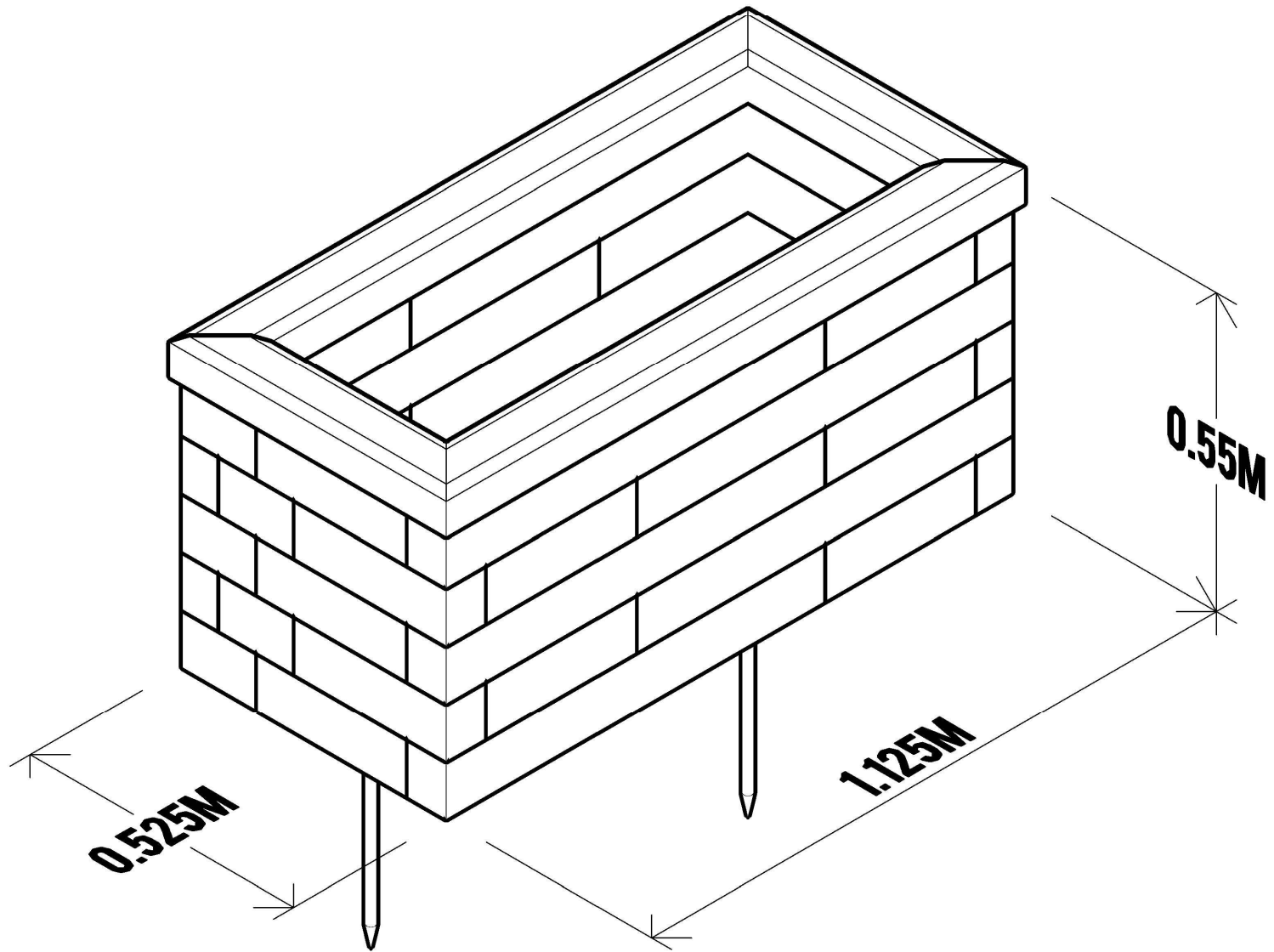


WOOD BlocX

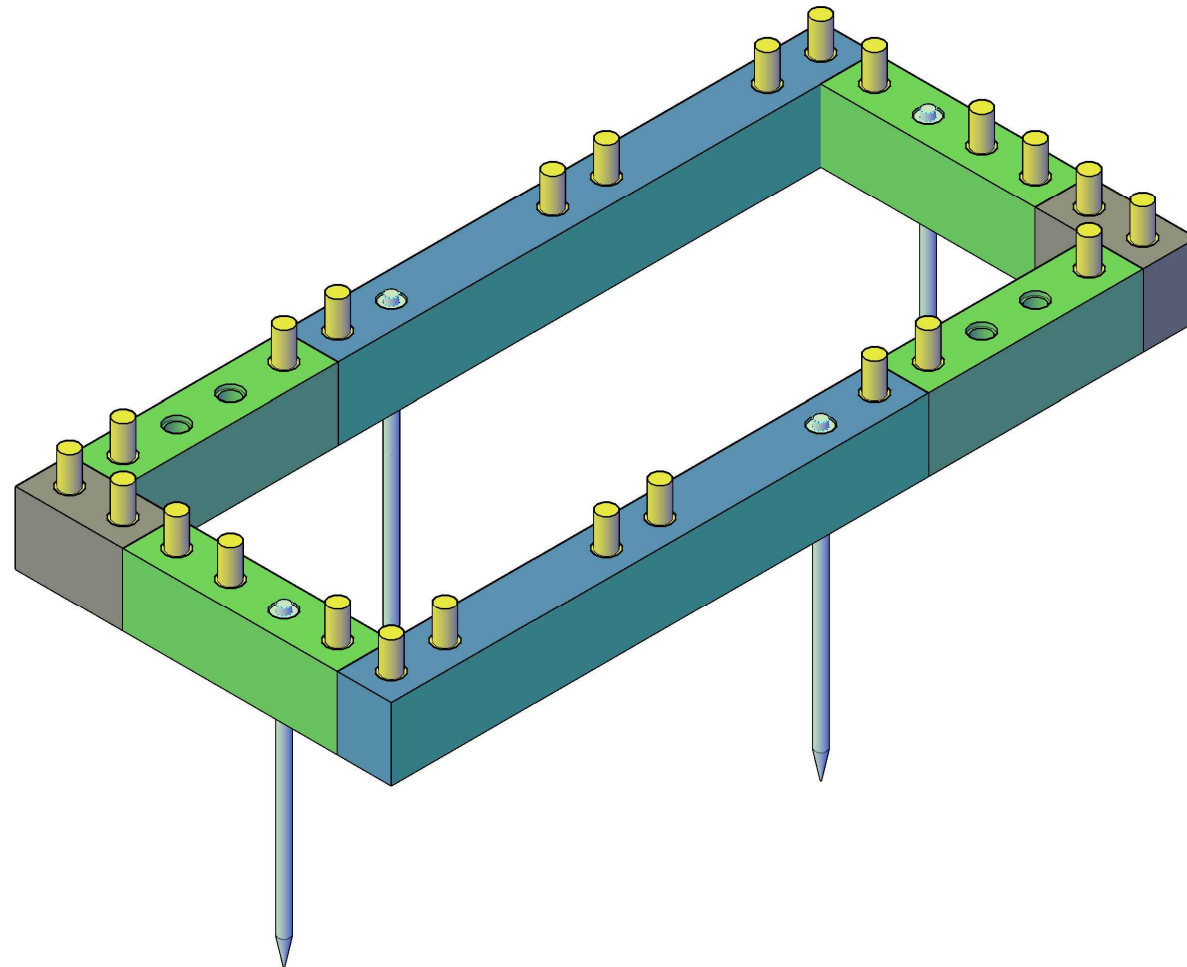


CUSTOMER NAME
SKU00416

DRAWING TITLE
COVER 3D

DESIGN VERSION
1.0

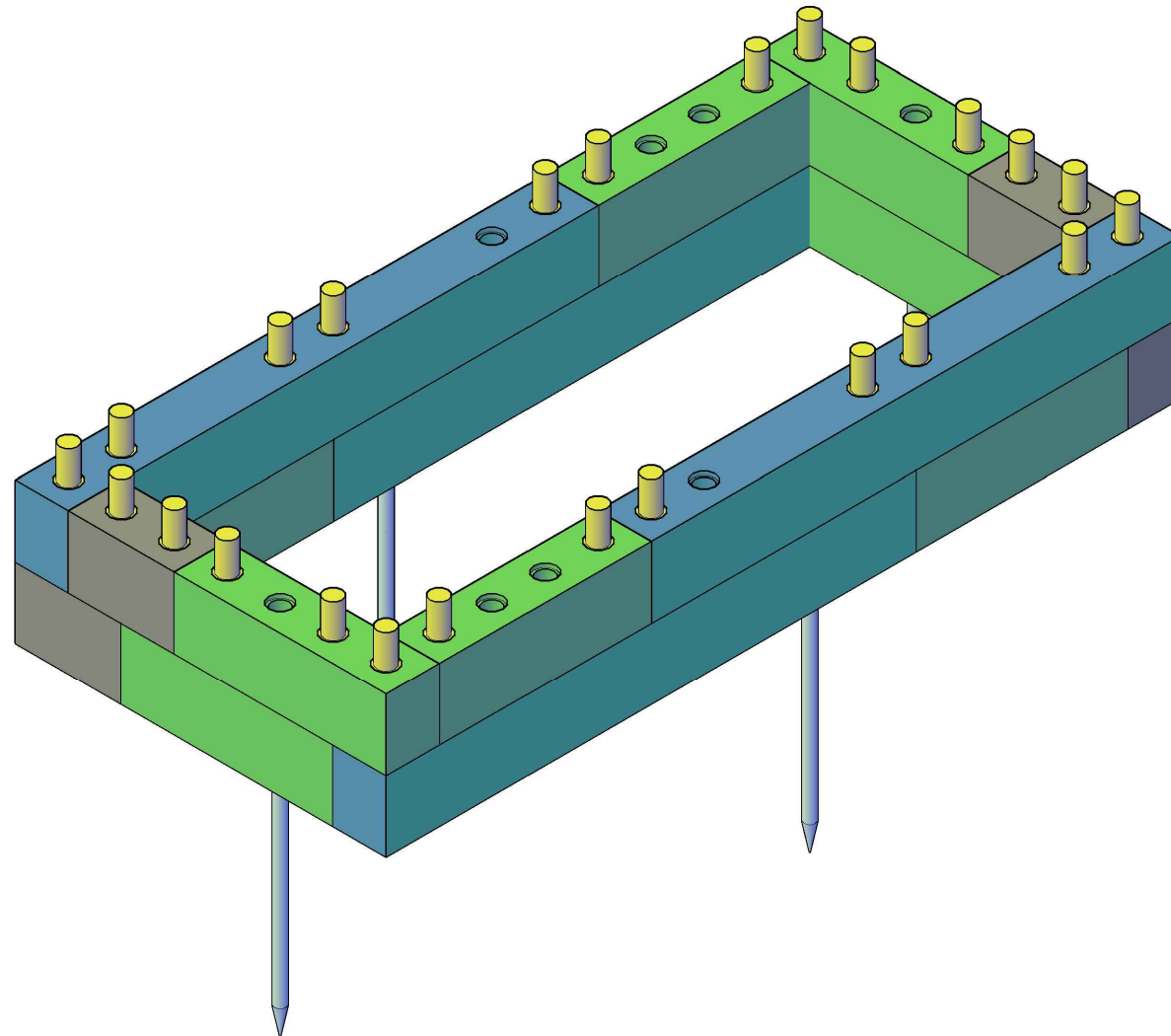
WOOD BlocX



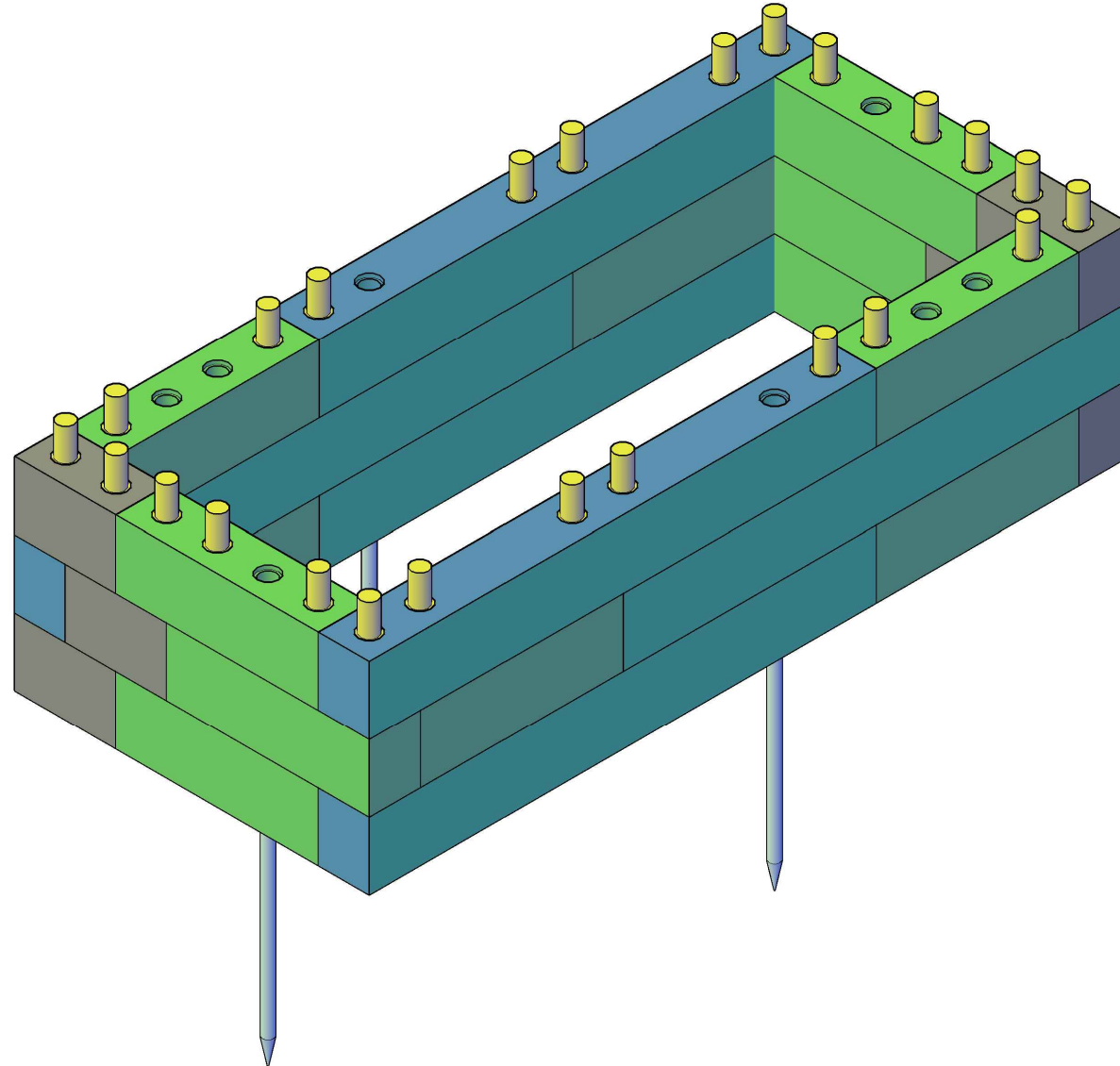
CUSTOMER NAME
SKU00416

DRAWING TITLE
LAYER01

DESIGN VERSION
1.0



WOOD BlocX

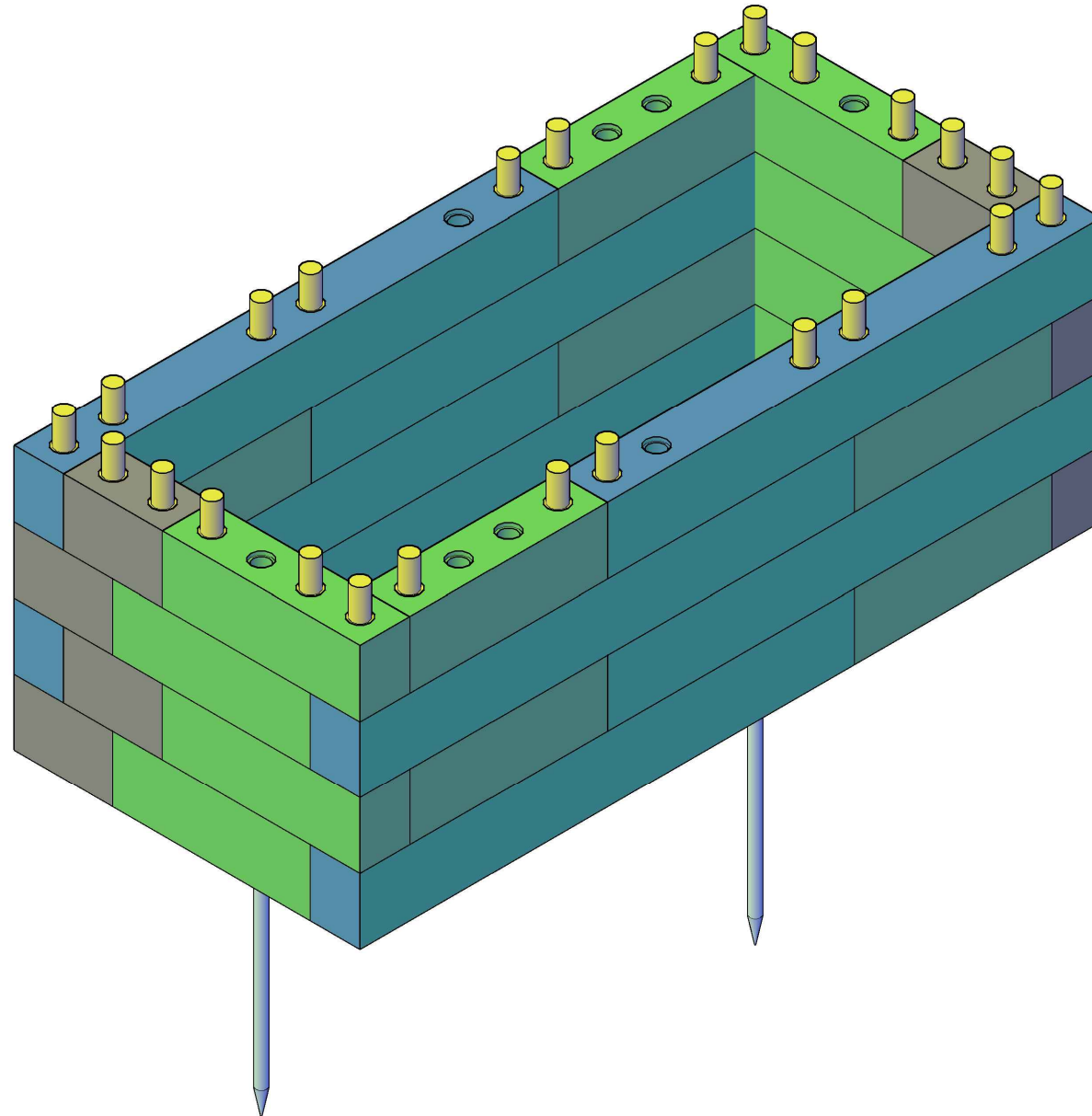


CUSTOMER NAME
SKU00416

DRAWING TITLE
LAYER03

DESIGN VERSION
1.0

WOOD BlocX

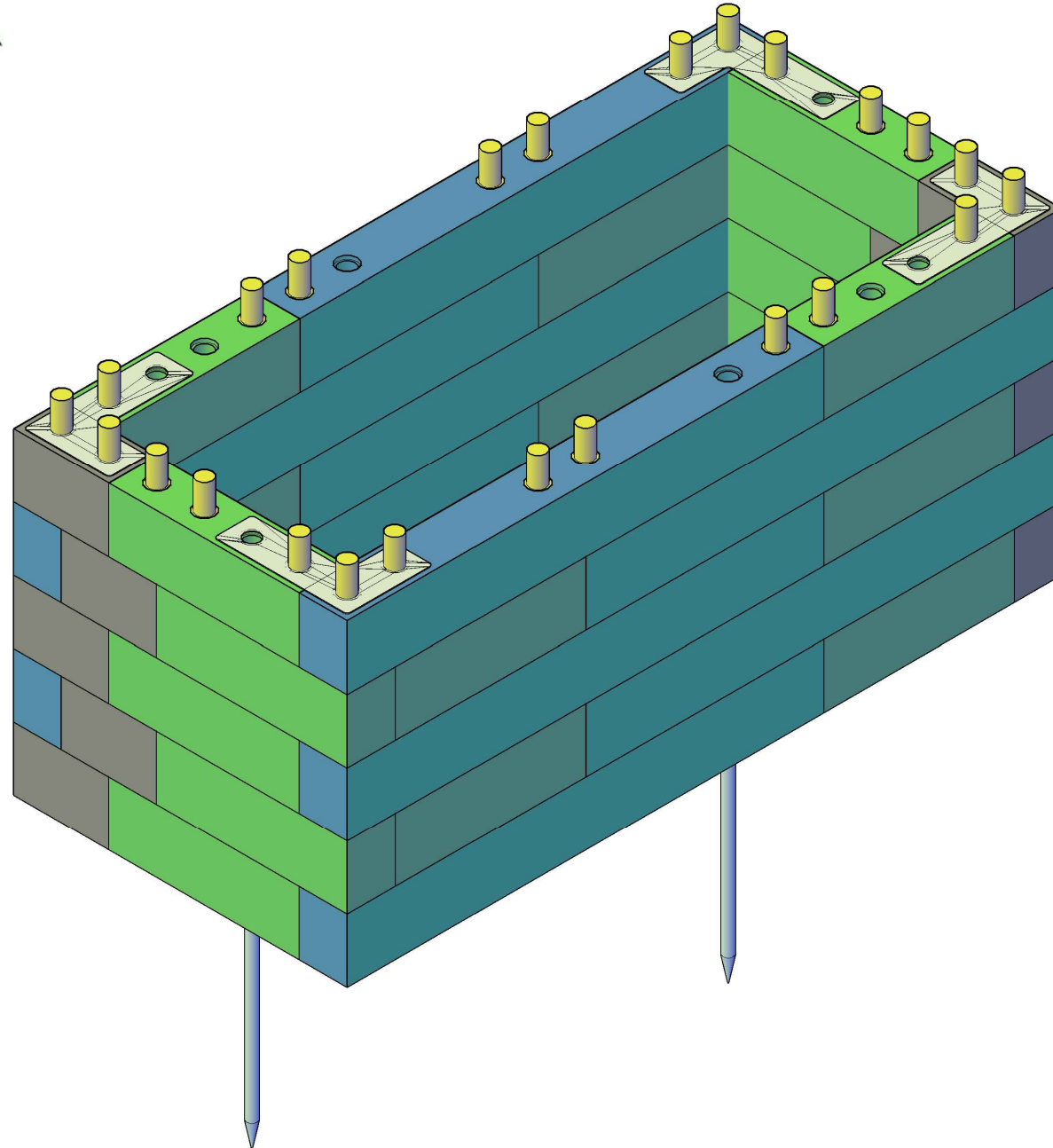


CUSTOMER NAME
SKU00416

DRAWING TITLE
LAYER04

DESIGN VERSION
1.0

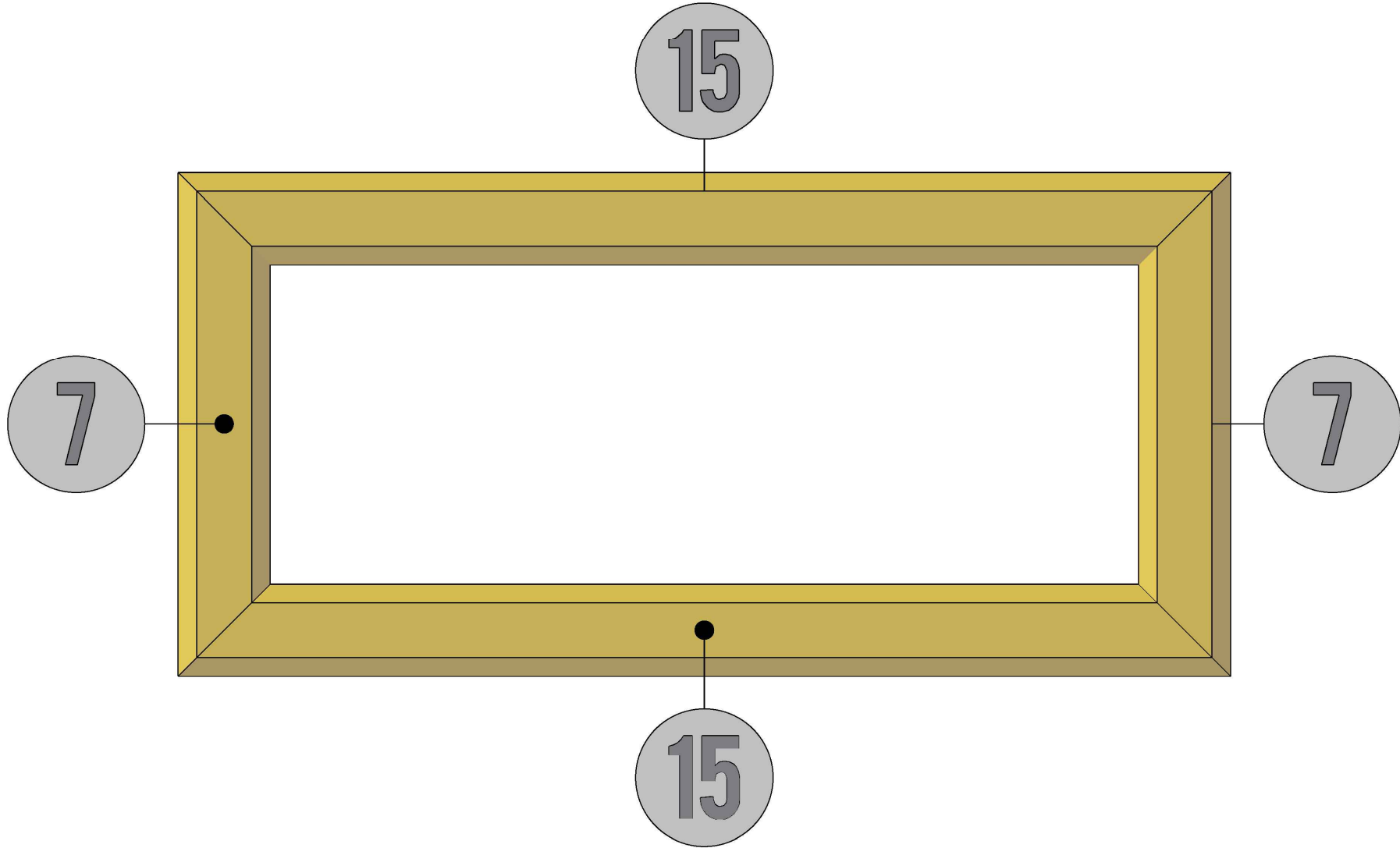
WOOD BlocX



CUSTOMER NAME
SKU00416

DRAWING TITLE
LAYER05

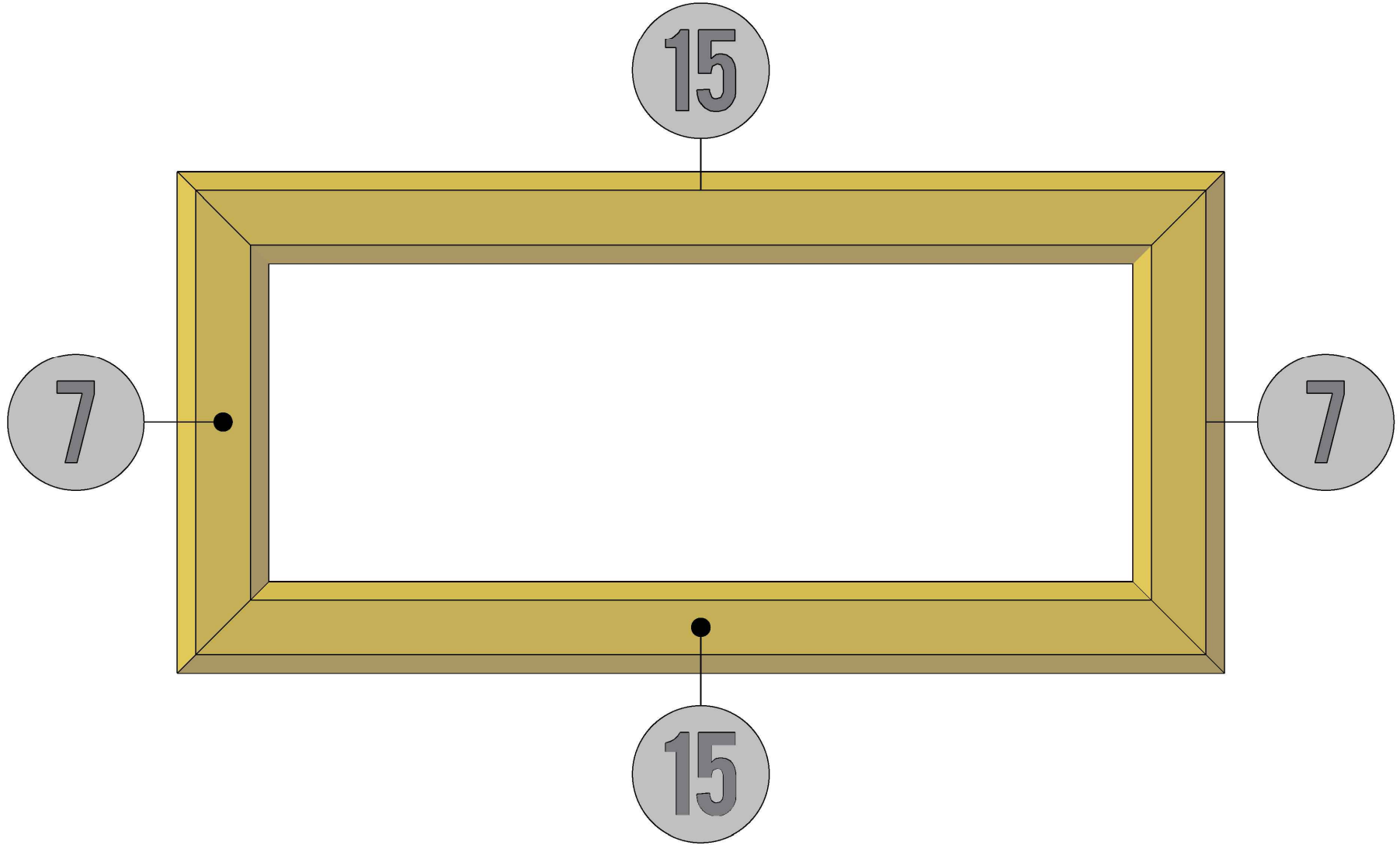
DESIGN VERSION
1.0



CUSTOMER NAME
SKU00416

DRAWING TITLE
CAPPINGPLAN

DESIGN VERSION
1.0



CUSTOMER NAME
SKU00416

DRAWING TITLE
CAPPINGPLAN2

DESIGN VERSION
1.0

*NUMBERS REPRESENT NUMBER OF HOLES INCAPPING