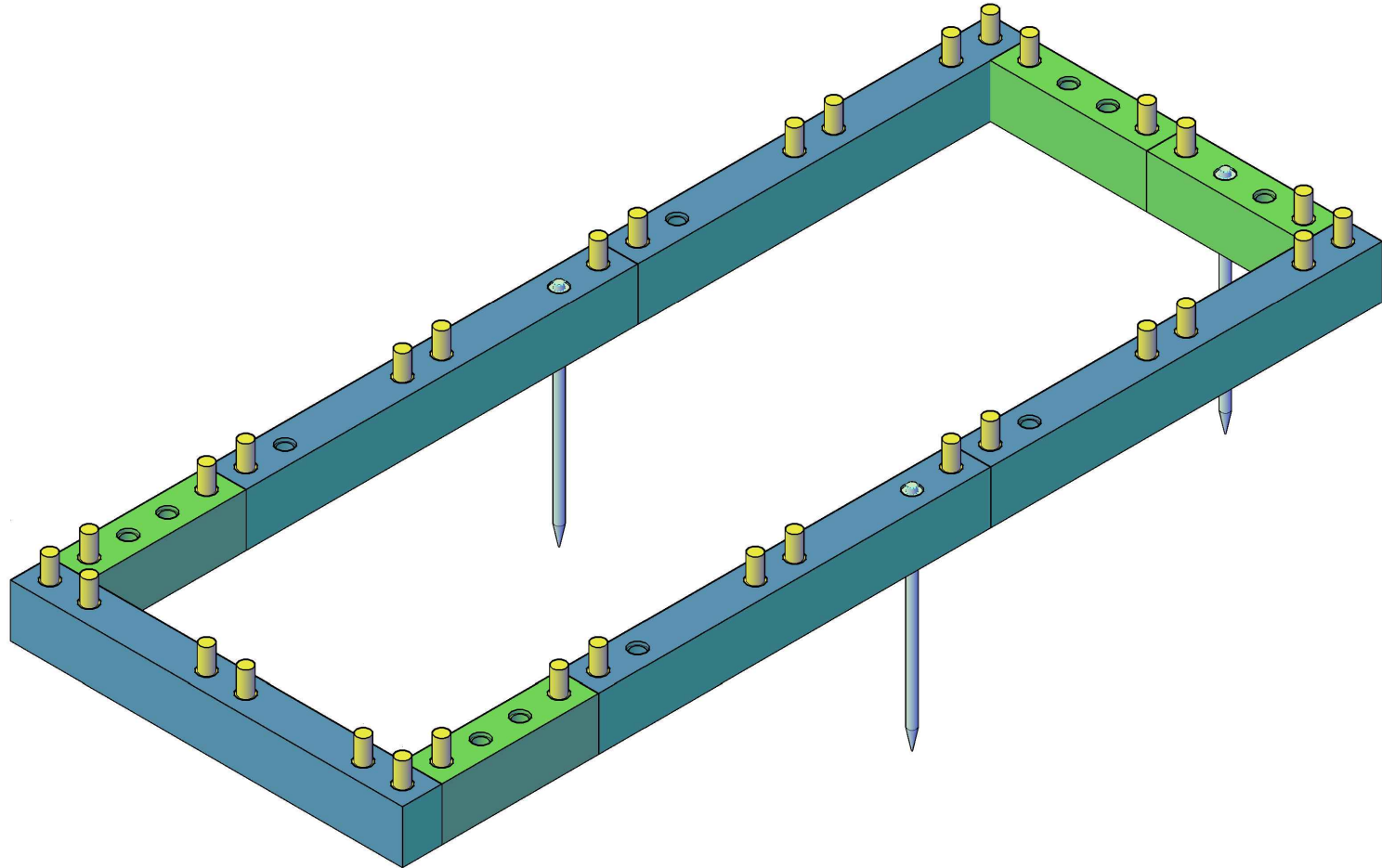
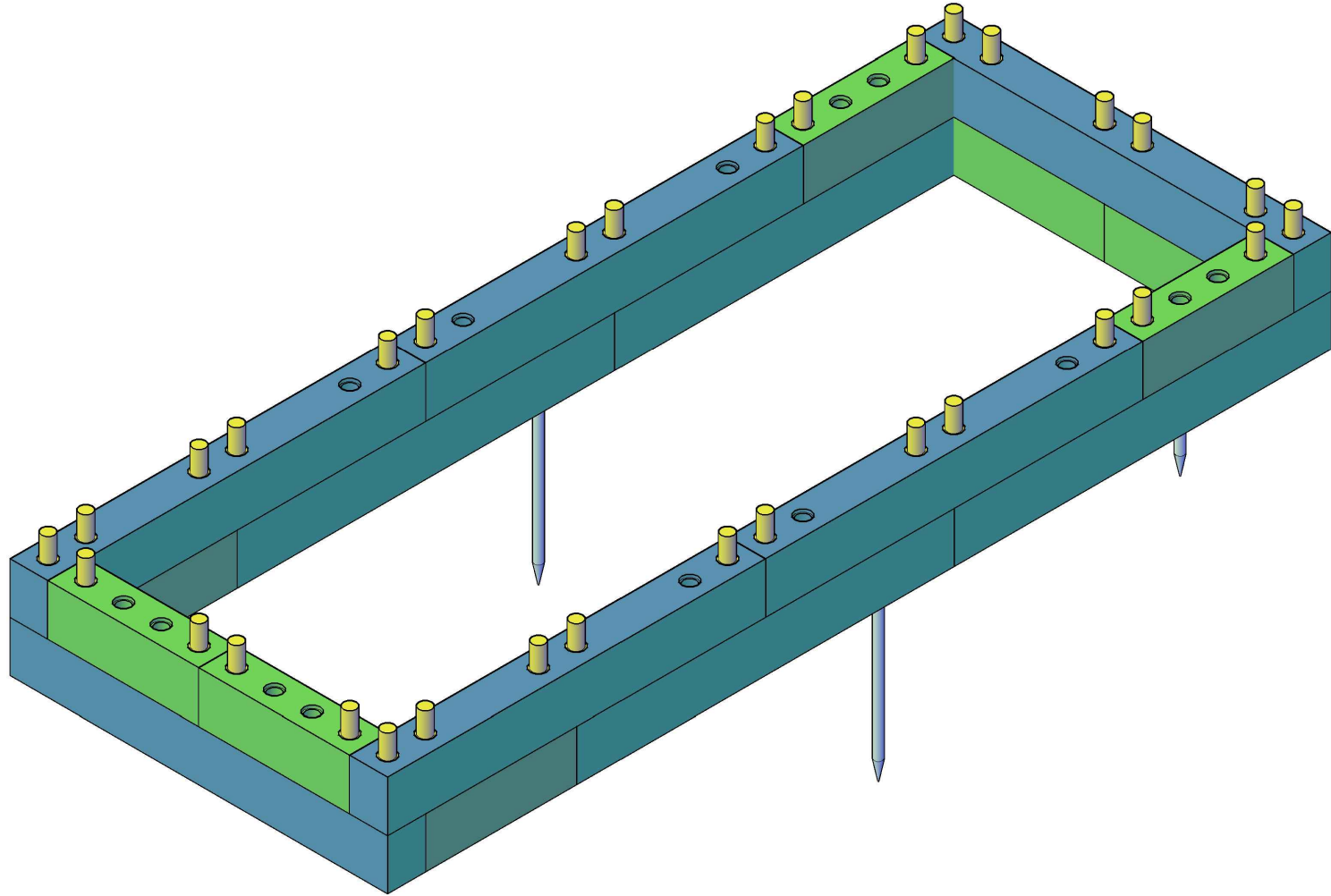


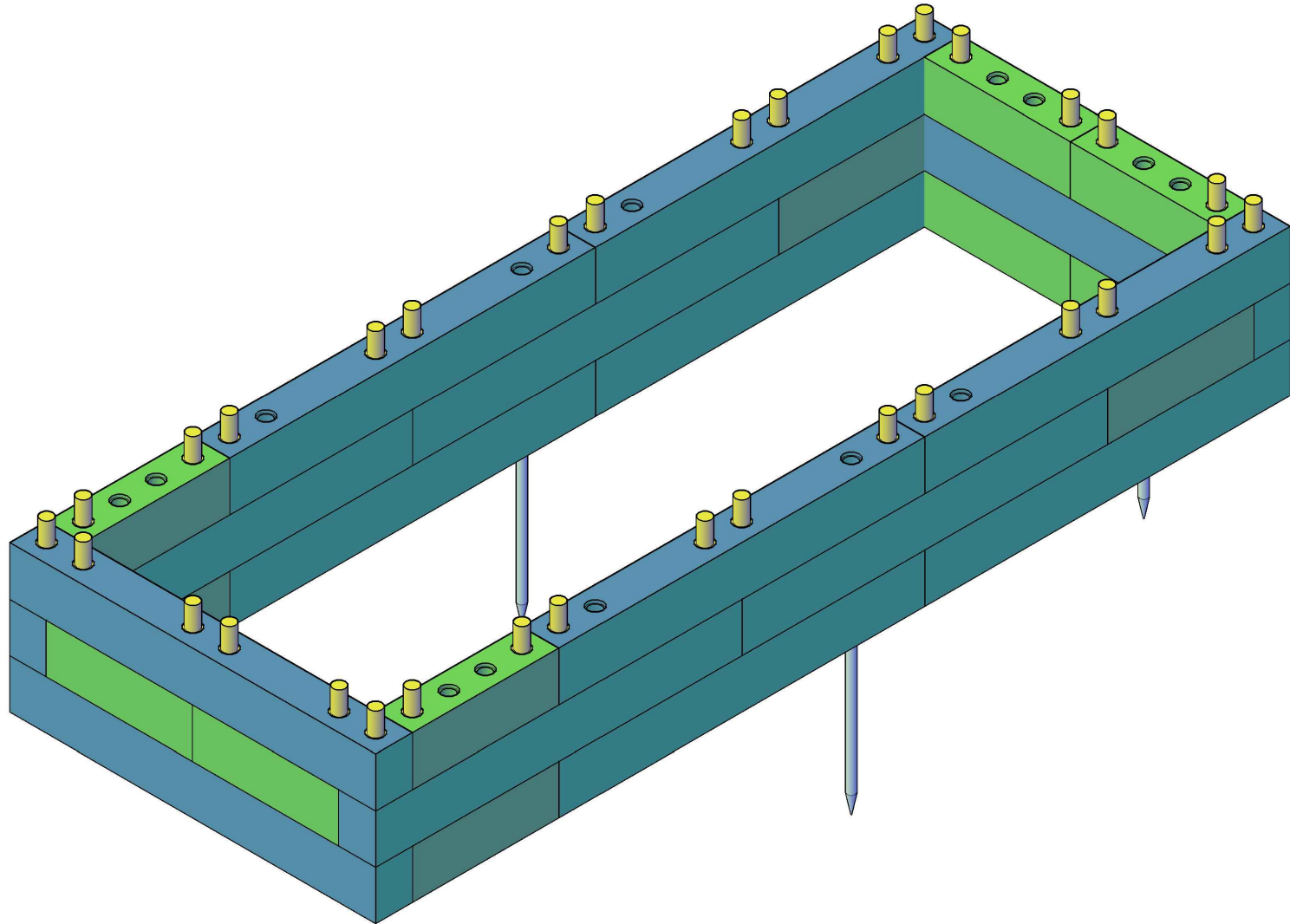
# WOOD BlocX



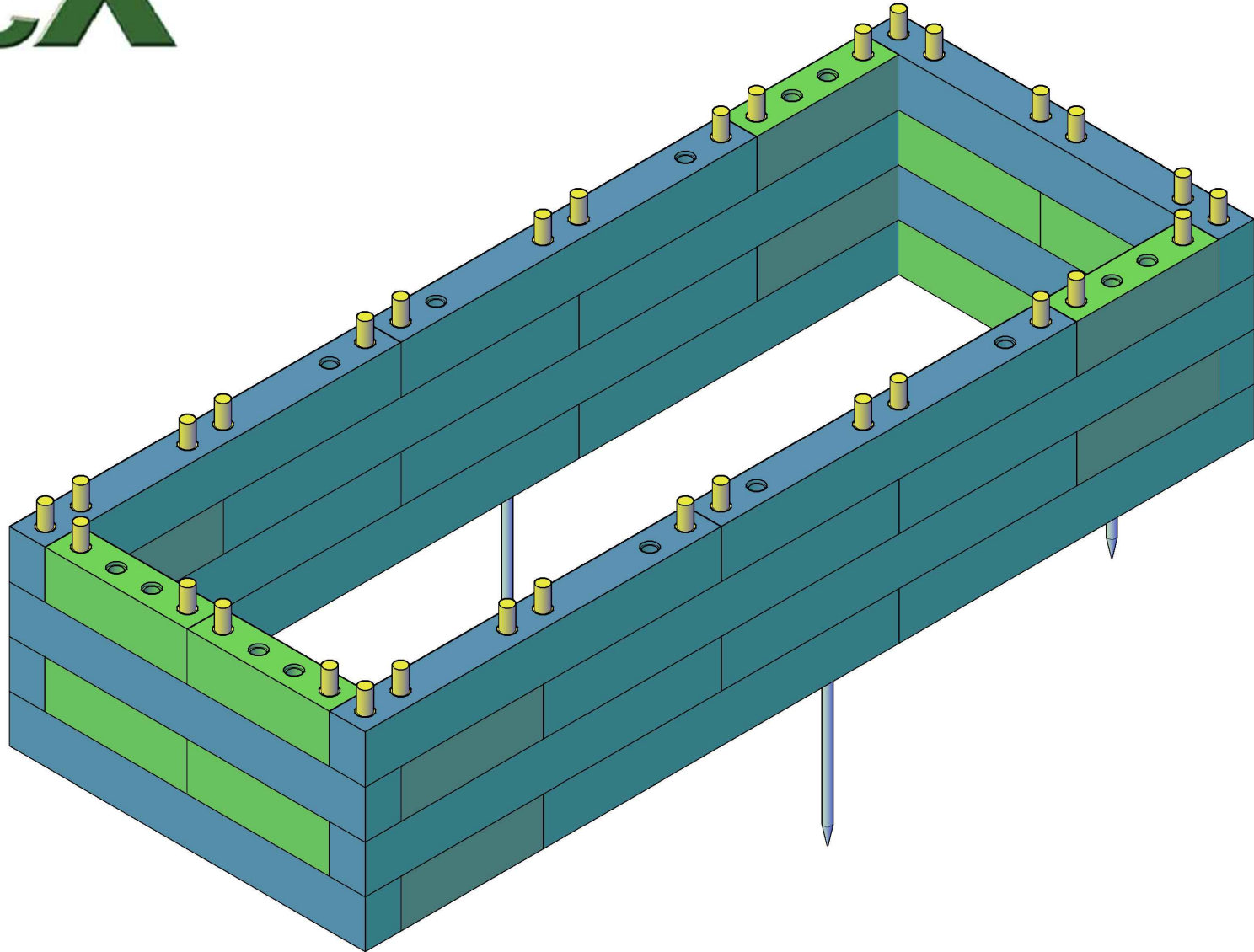
# WOOD BlocX



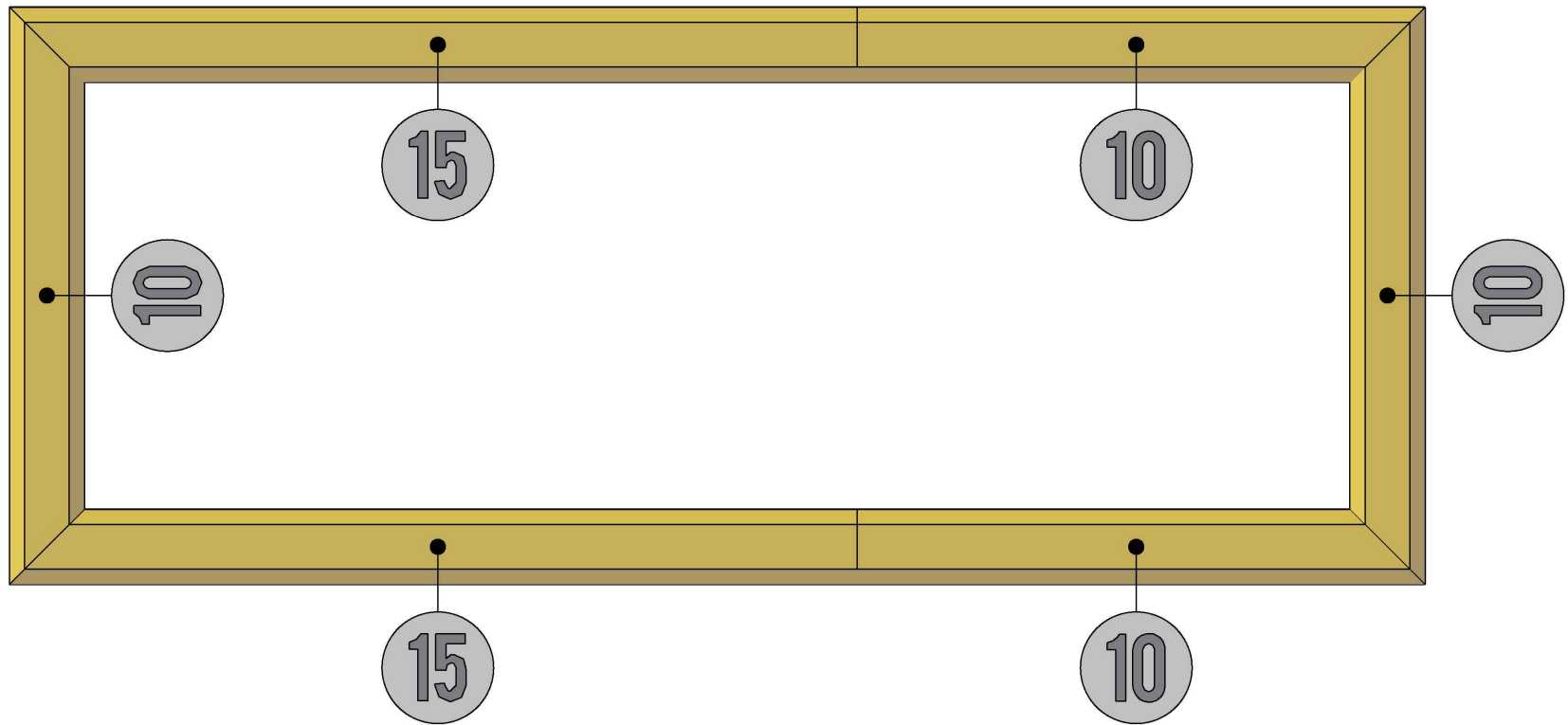
# WOOD BlocX



# WOOD BlocX



# WOOD BlocX

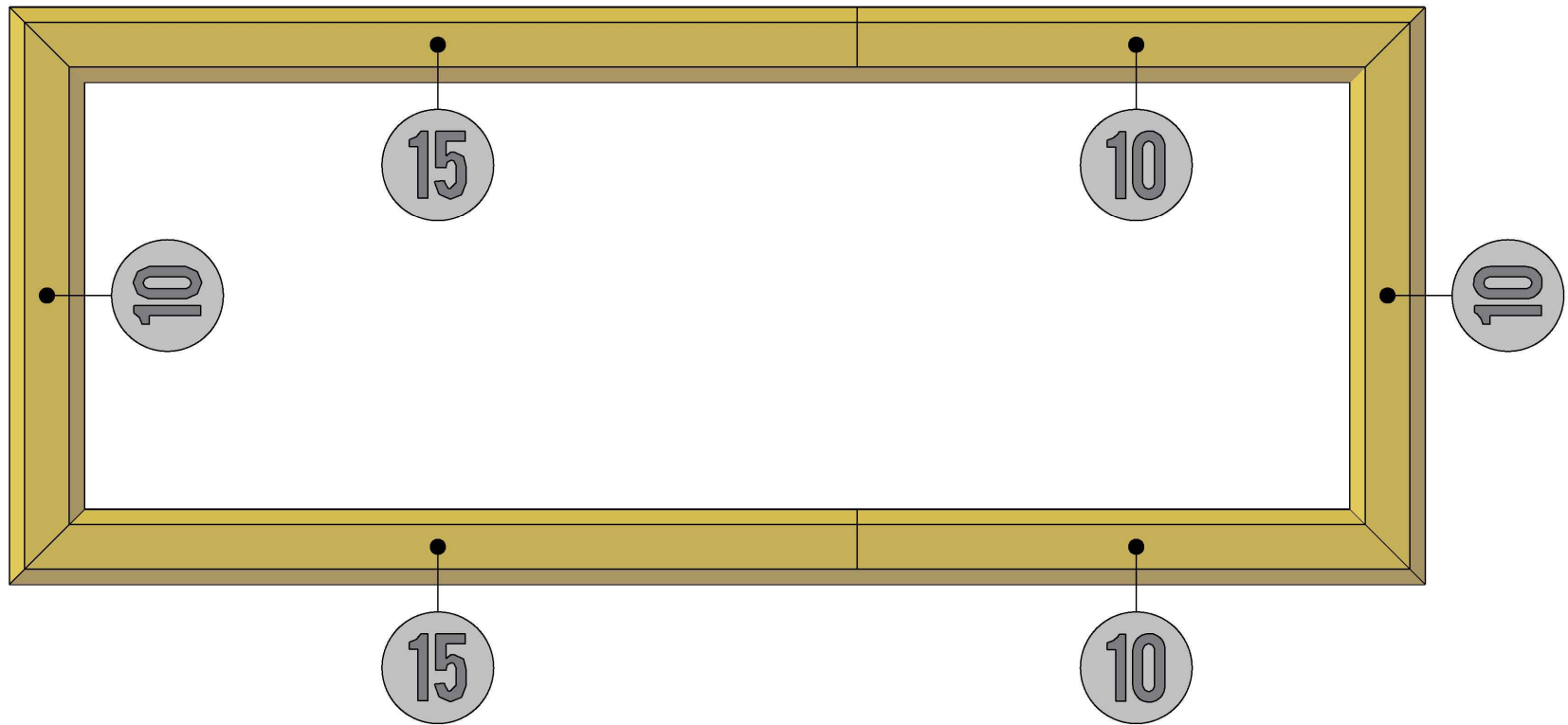


\*NUMBERS REPRESENT NUMBER OF HOLES IN CAPPING

WoodBlocX Instructions  
BESPOKE

Layer  
CAPPING PLAN

# WOOD BlocX



\*NUMBERS REPRESENT NUMBER OF HOLES IN CAPPING

WoodBlocX Instructions  
**BESPOKE**

Layer  
**CAPPING PLAN**