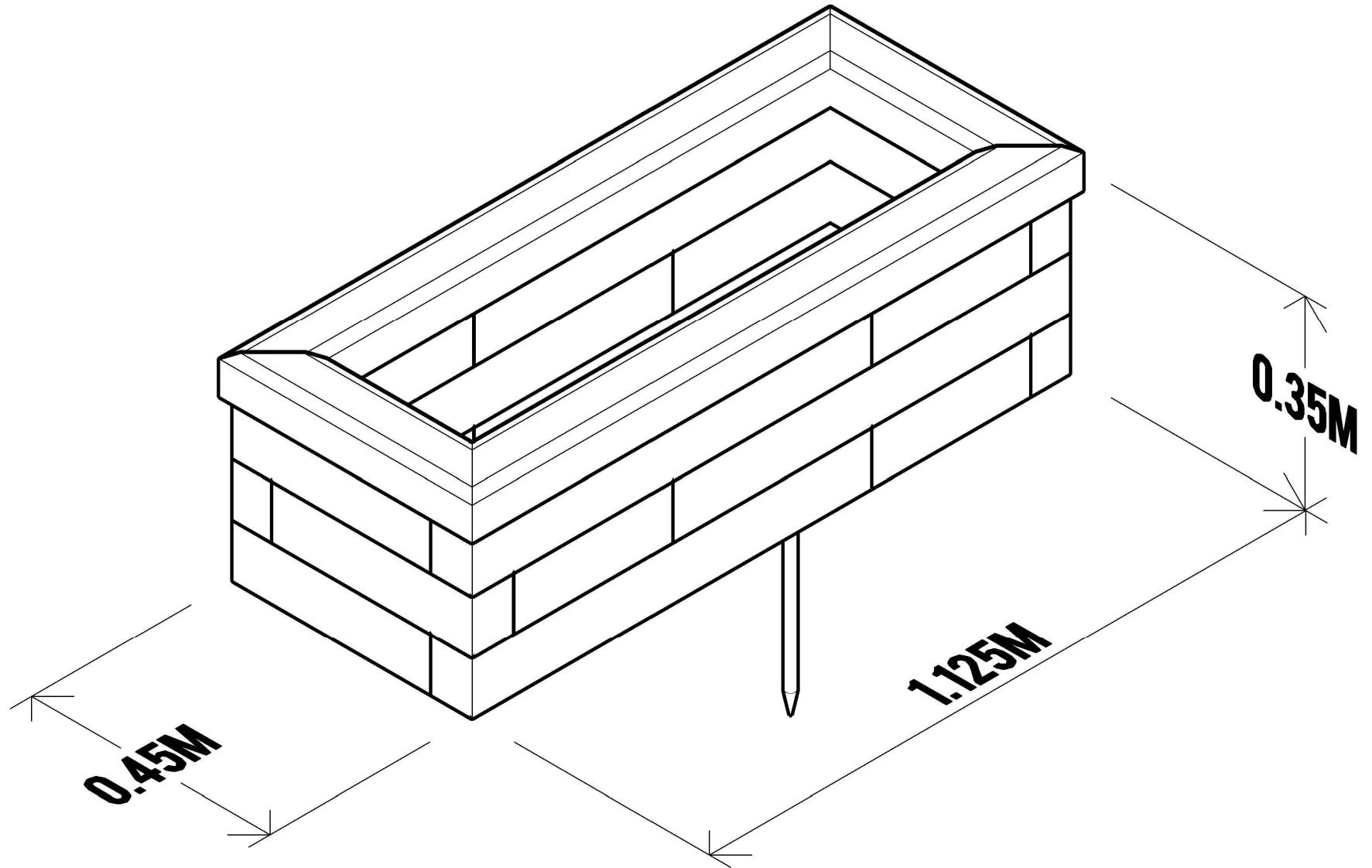


WOOD BlocX

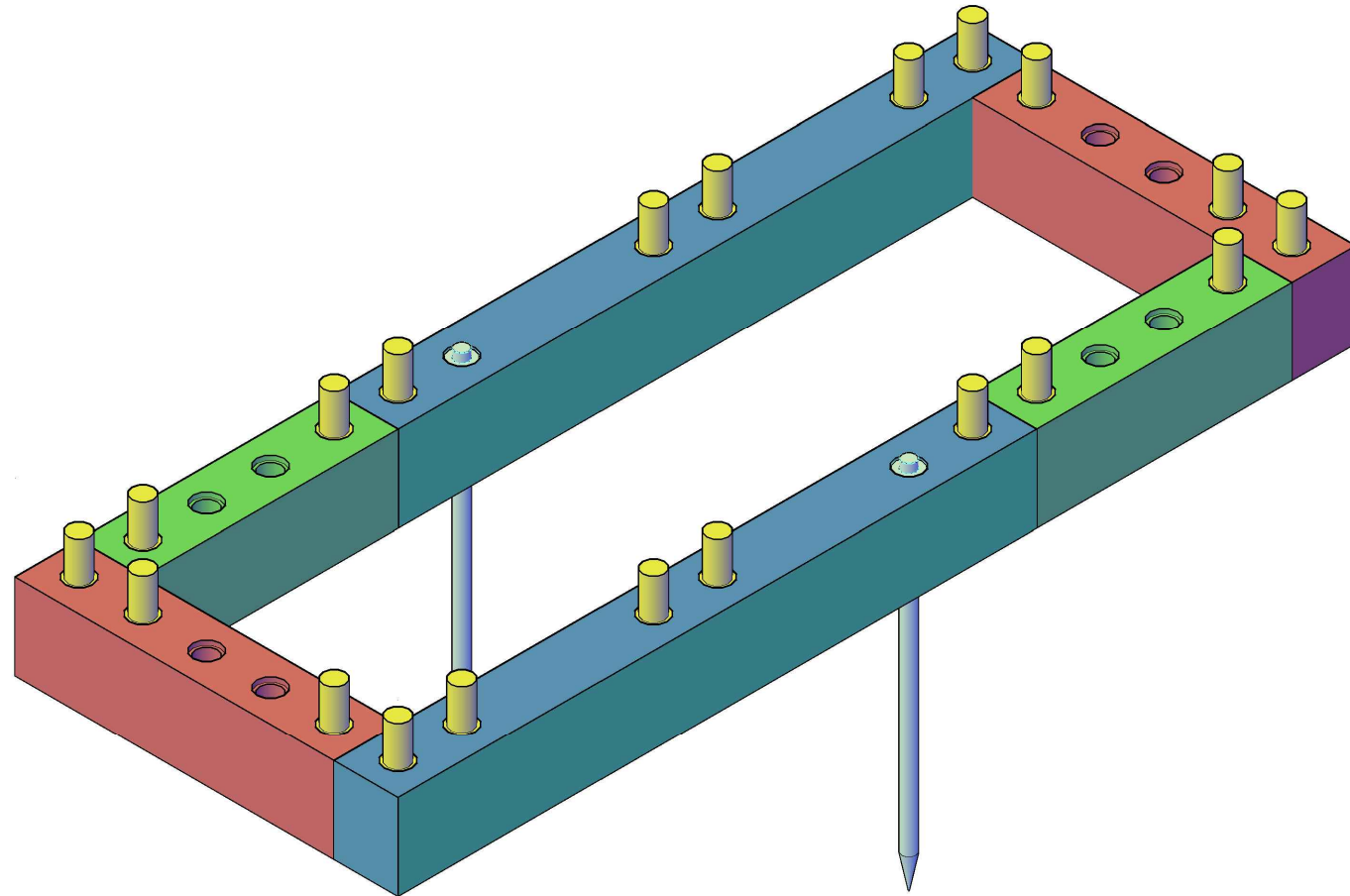


CUSTOMER NAME
SKU00425

DRAWING TITLE
COVER 3D

DESIGN VERSION
1.0

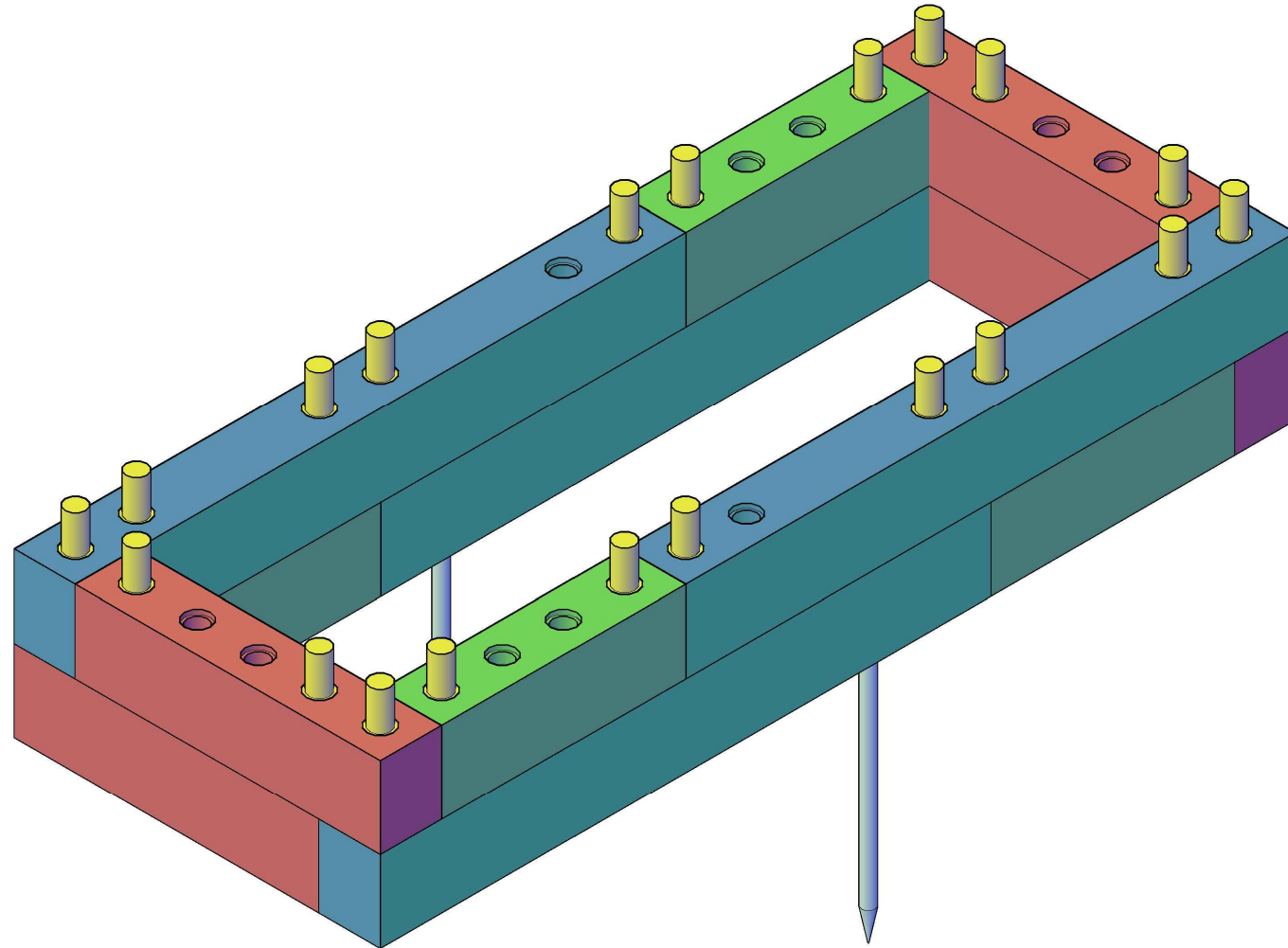
WOOD BlocX



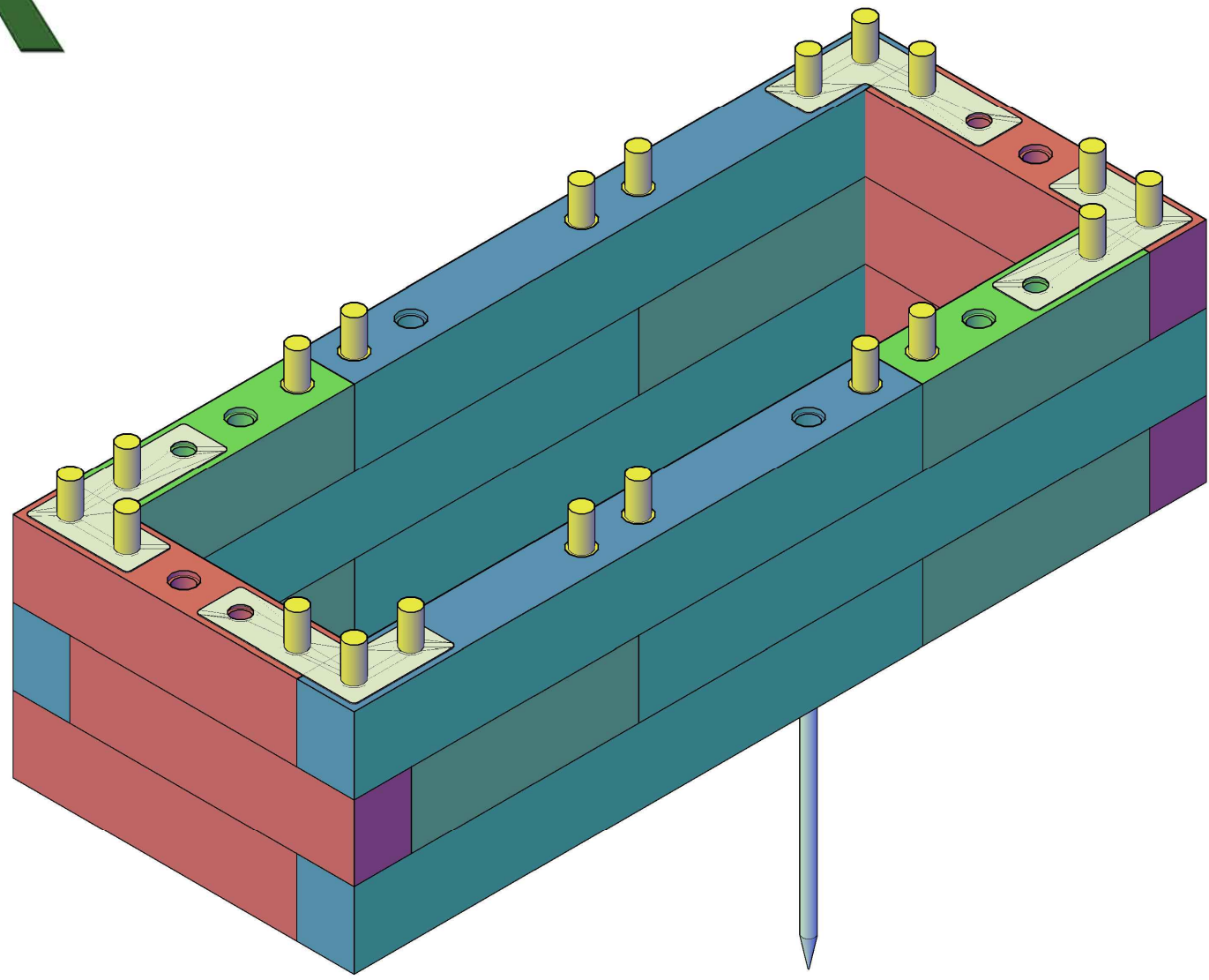
CUSTOMER NAME
SKU00425

DRAWING TITLE
LAYER01

DESIGN VERSION
1.0



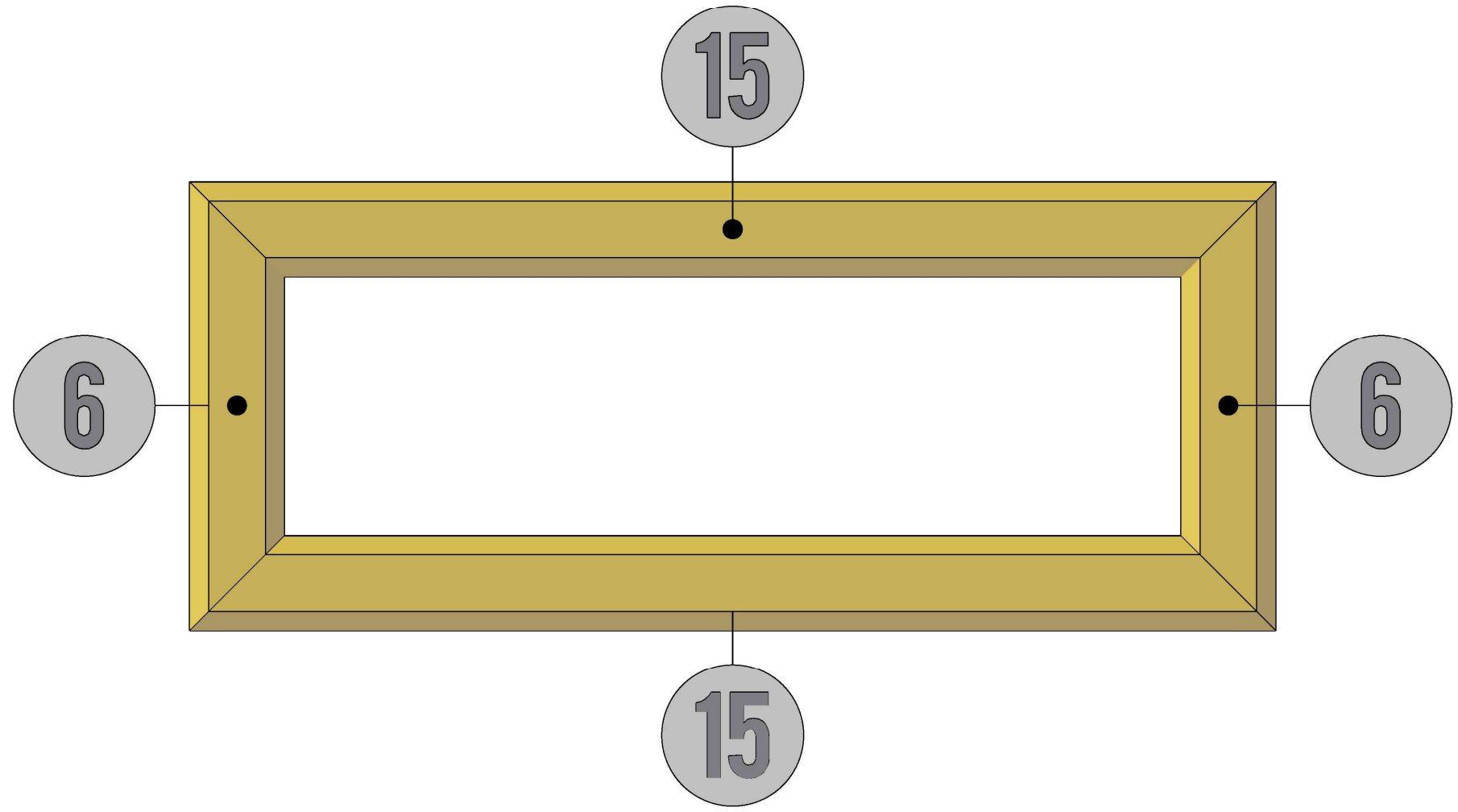
WOOD BlocX



CUSTOMER NAME
SKU00425

DRAWING TITLE
LAYER03

DESIGN VERSION
1.0

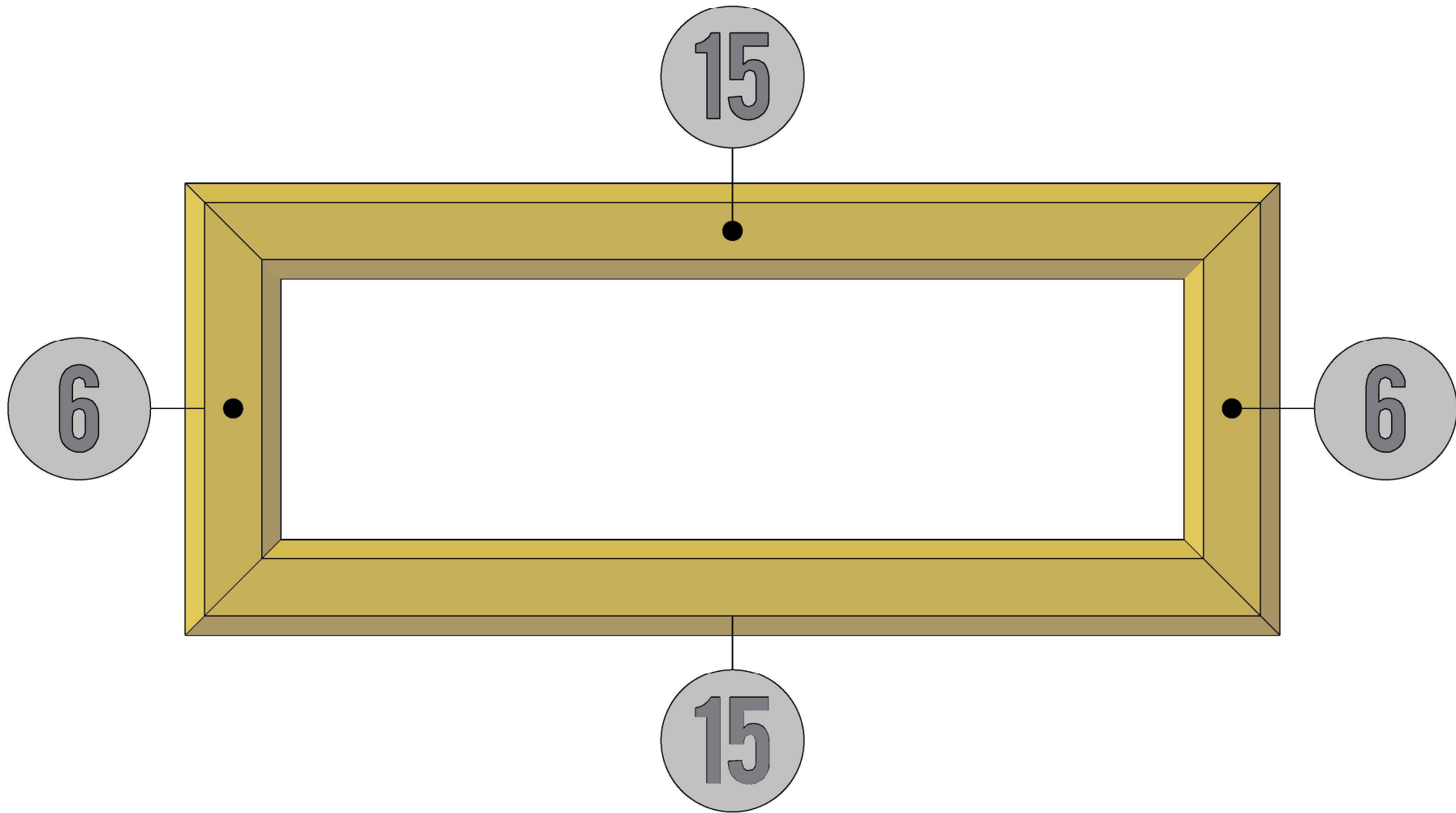


CUSTOMER NAME
SKU00425

DRAWING TITLE
CAPPINGPLAN

DESIGN VERSION
1.0

*NUMBERS REPRESENT NUMBER OF HOLES IN CAPPING



CUSTOMER NAME
SKU00425

DRAWING TITLE
CAPPINGPLAN2

DESIGN VERSION
1.0

*NUMBERS REPRESENT NUMBER OF HOLES IN CAPPING