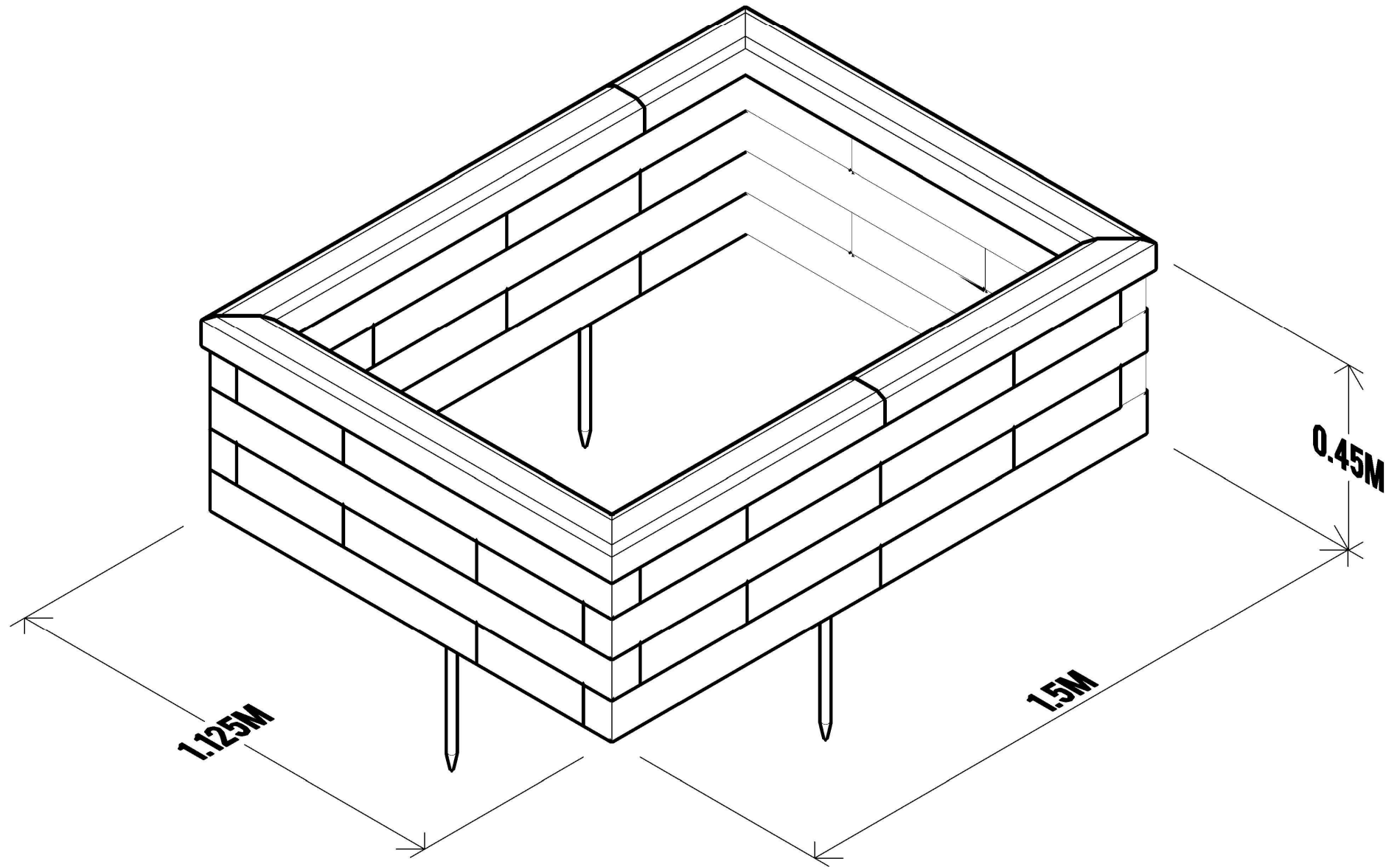


# WOOD BlocX

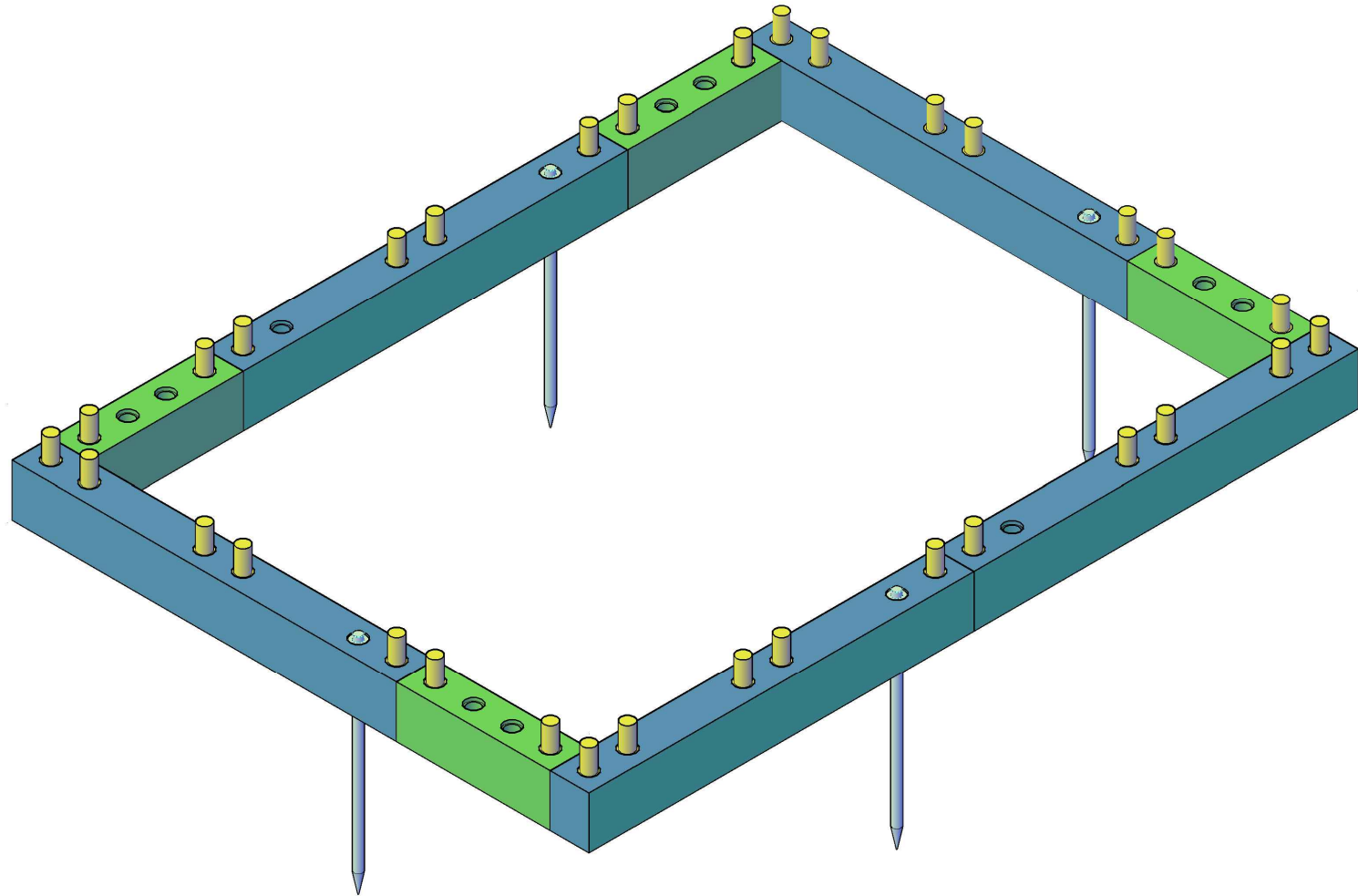


CUSTOMER NAME  
SKU00426

DRAWING TITLE  
COVER 3D

DESIGN VERSION  
1.0

# WOOD BlocX

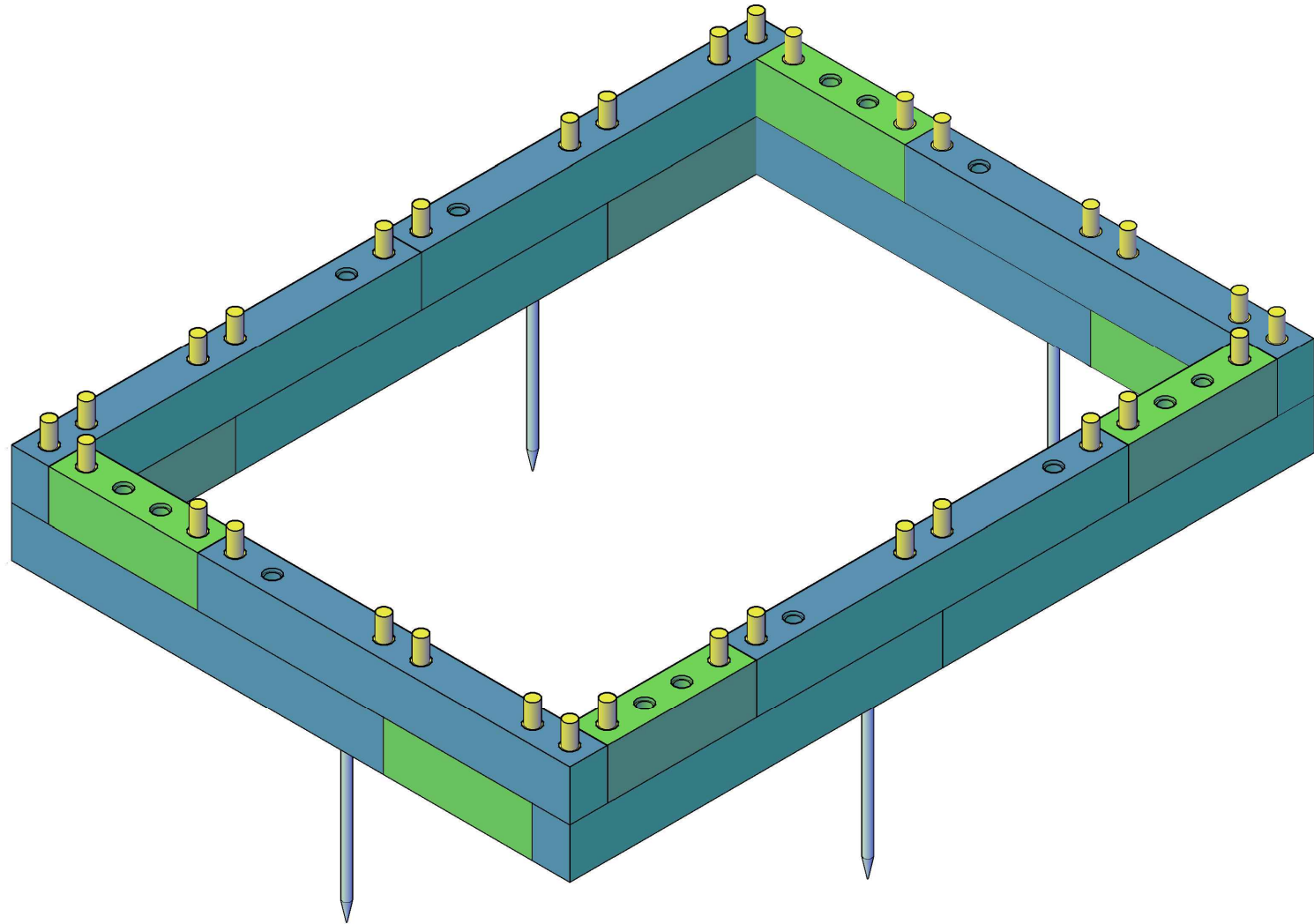


CUSTOMER NAME  
SKU00426

DRAWING TITLE  
LAYER01

DESIGN VERSION  
1.0

# WOOD BlocX

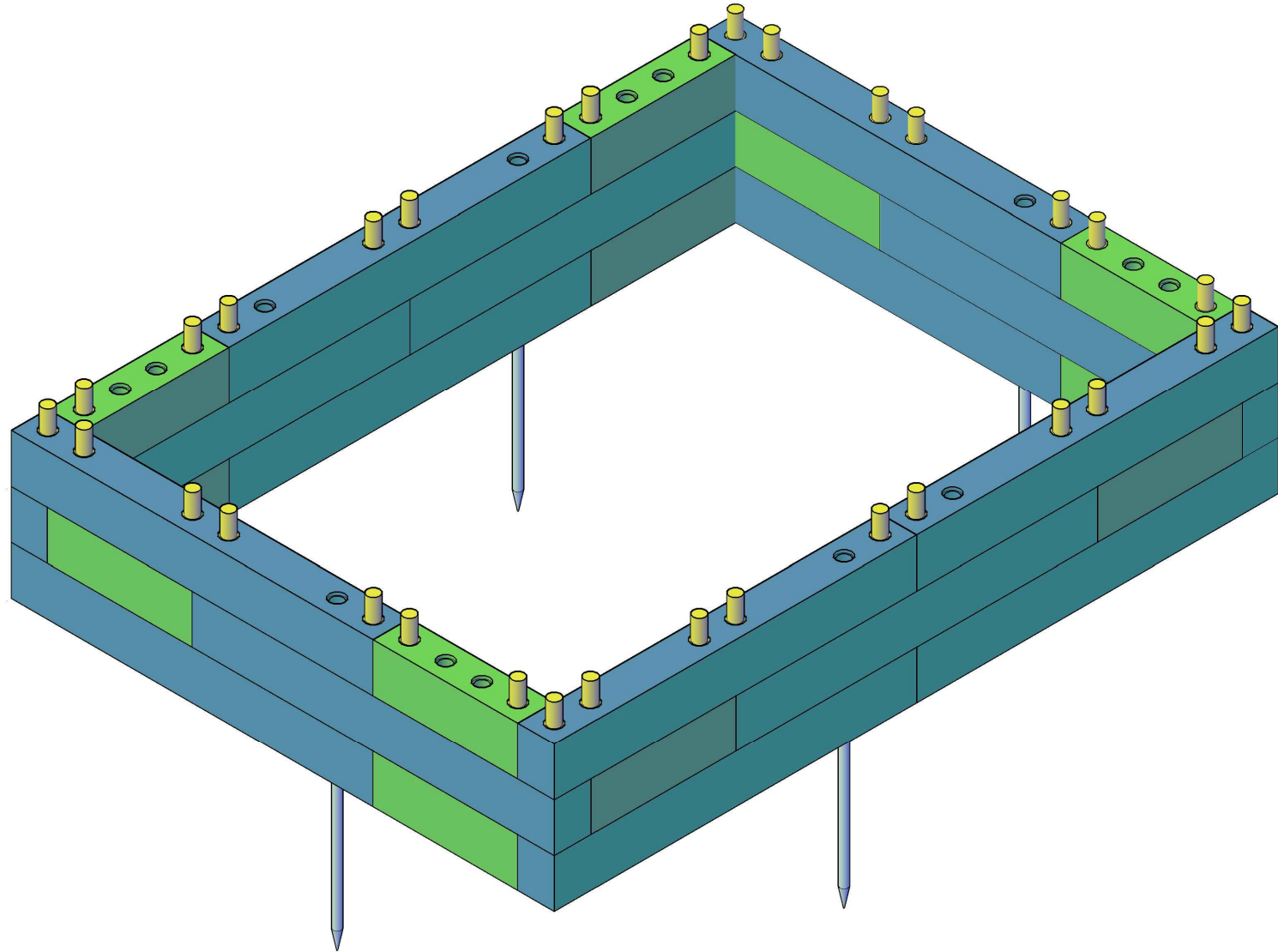


CUSTOMER NAME  
SKU00426

DRAWING TITLE  
LAYER02

DESIGN VERSION  
1.0

# WOOD BlocX

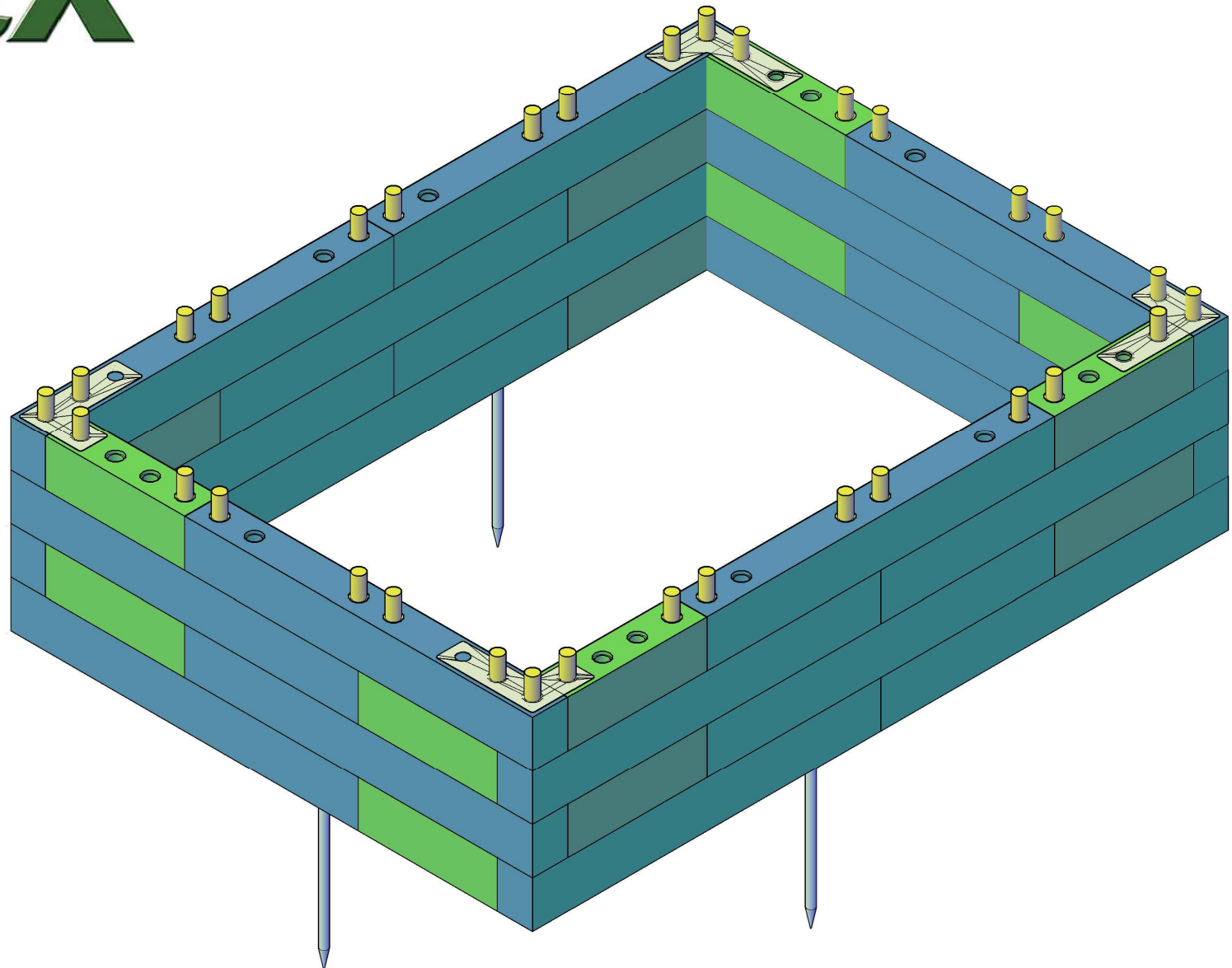


CUSTOMER NAME  
SKU00426

DRAWING TITLE  
LAYER03

DESIGN VERSION  
1.0

# WOOD BlocX

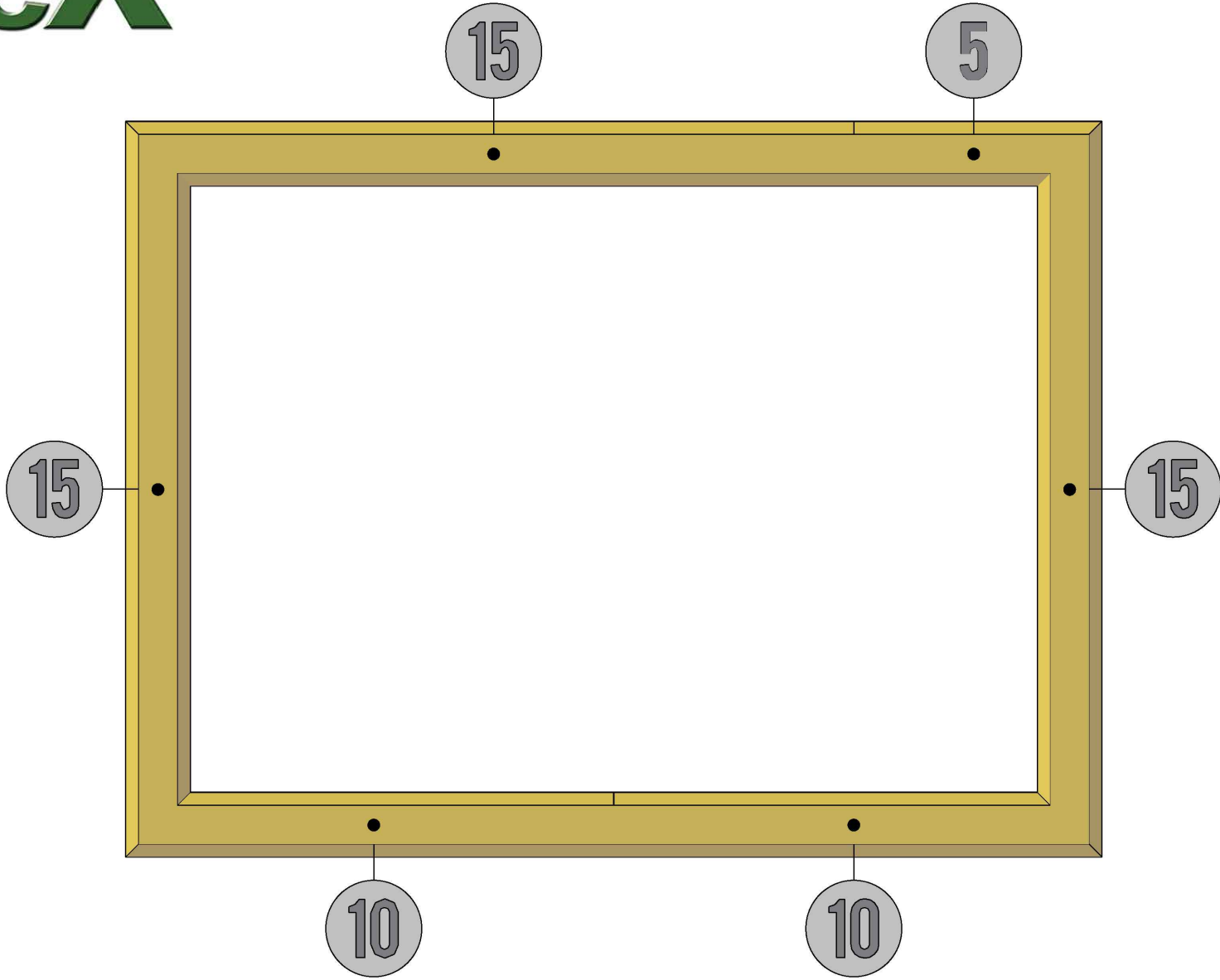


CUSTOMER NAME  
SKU00426

DRAWING TITLE  
LAYER04

DESIGN VERSION  
1.0

# WOOD BlocX



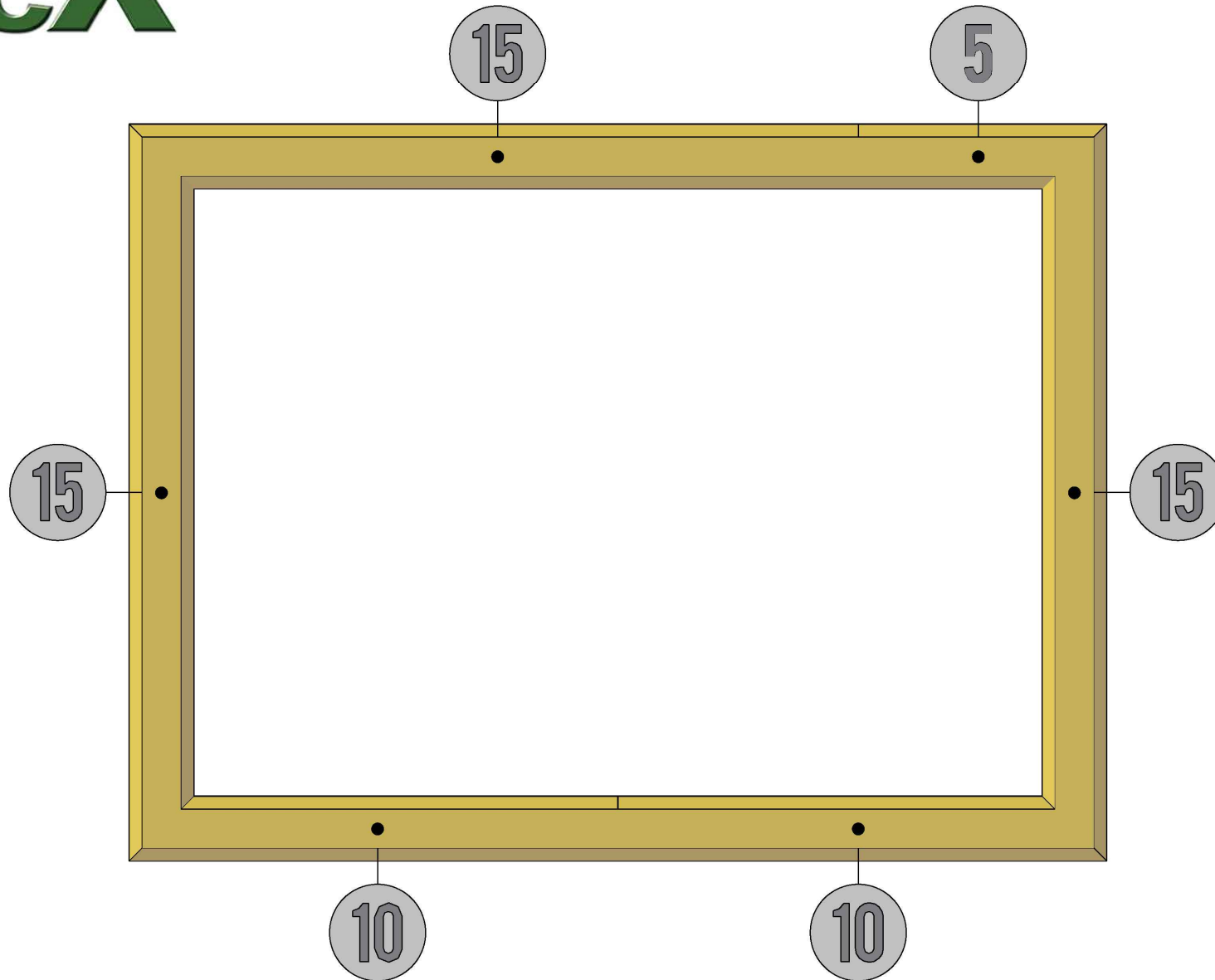
CUSTOMER NAME  
SKU00426

DRAWING TITLE  
CAPPINGPLAN

DESIGN VERSION  
1.0

\*NUMBERS REPRESENT NUMBER OF HOLES IN CAPPING

# WOOD BlocX



CUSTOMER NAME  
SKU00426

DRAWING TITLE  
CAPPINGPLAN2

DESIGN VERSION  
1.0

\*NUMBERS REPRESENT NUMBER OF HOLES INCAPPING