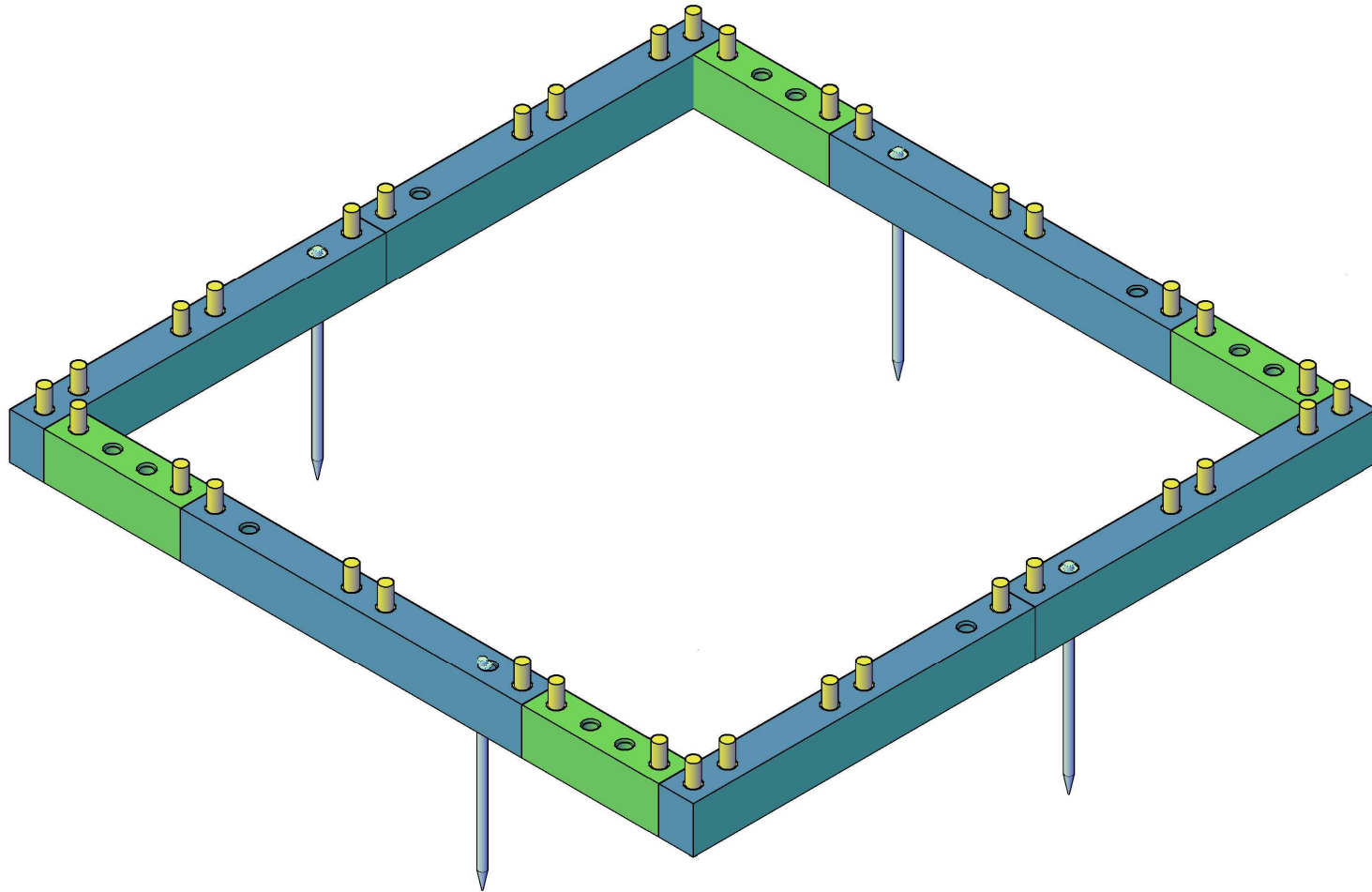


WOOD BlocX

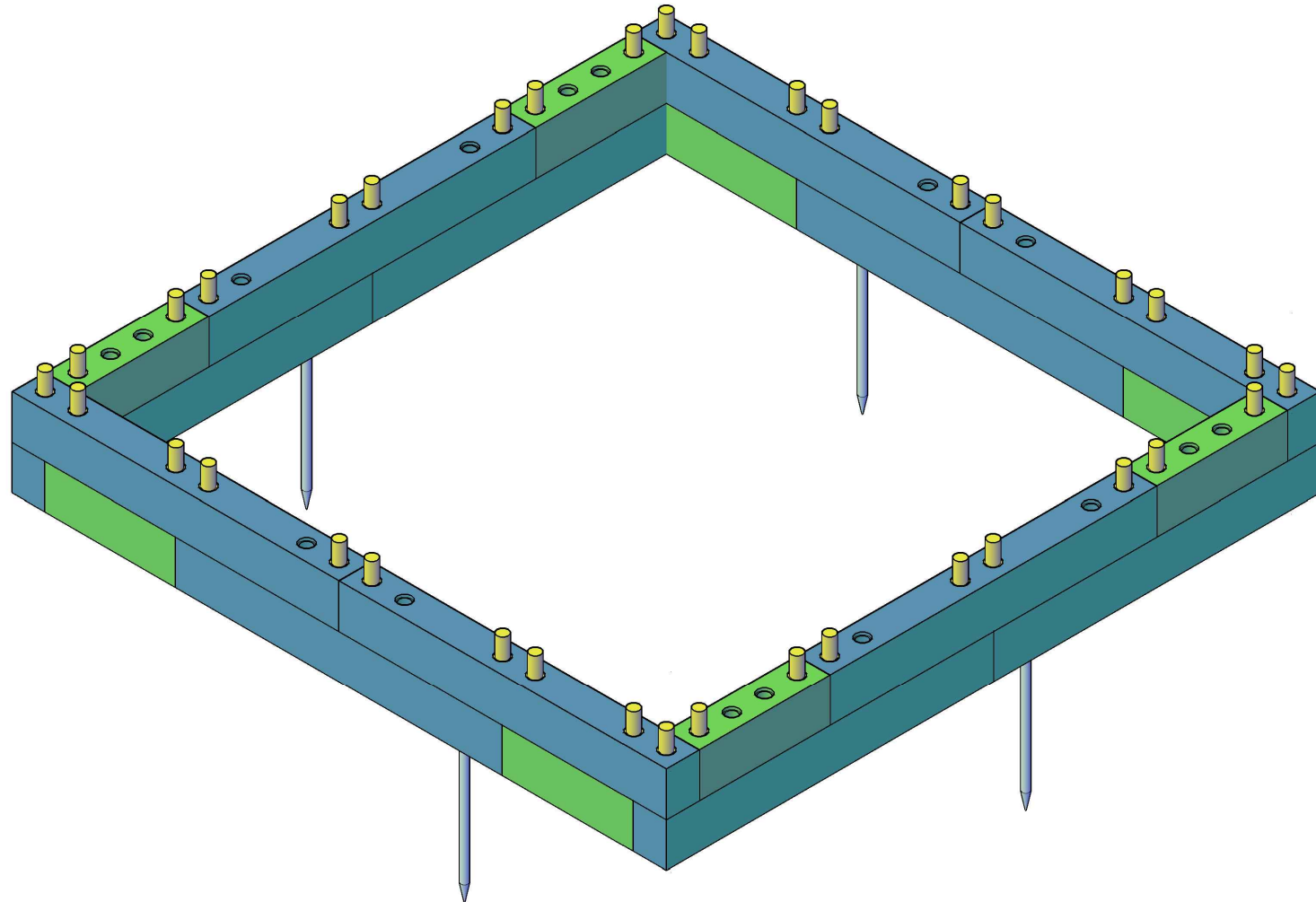


CUSTOMER NAME
SKU00427

DRAWING TITLE
LAYER01

DESIGN VERSION
1.0

WOOD BlocX

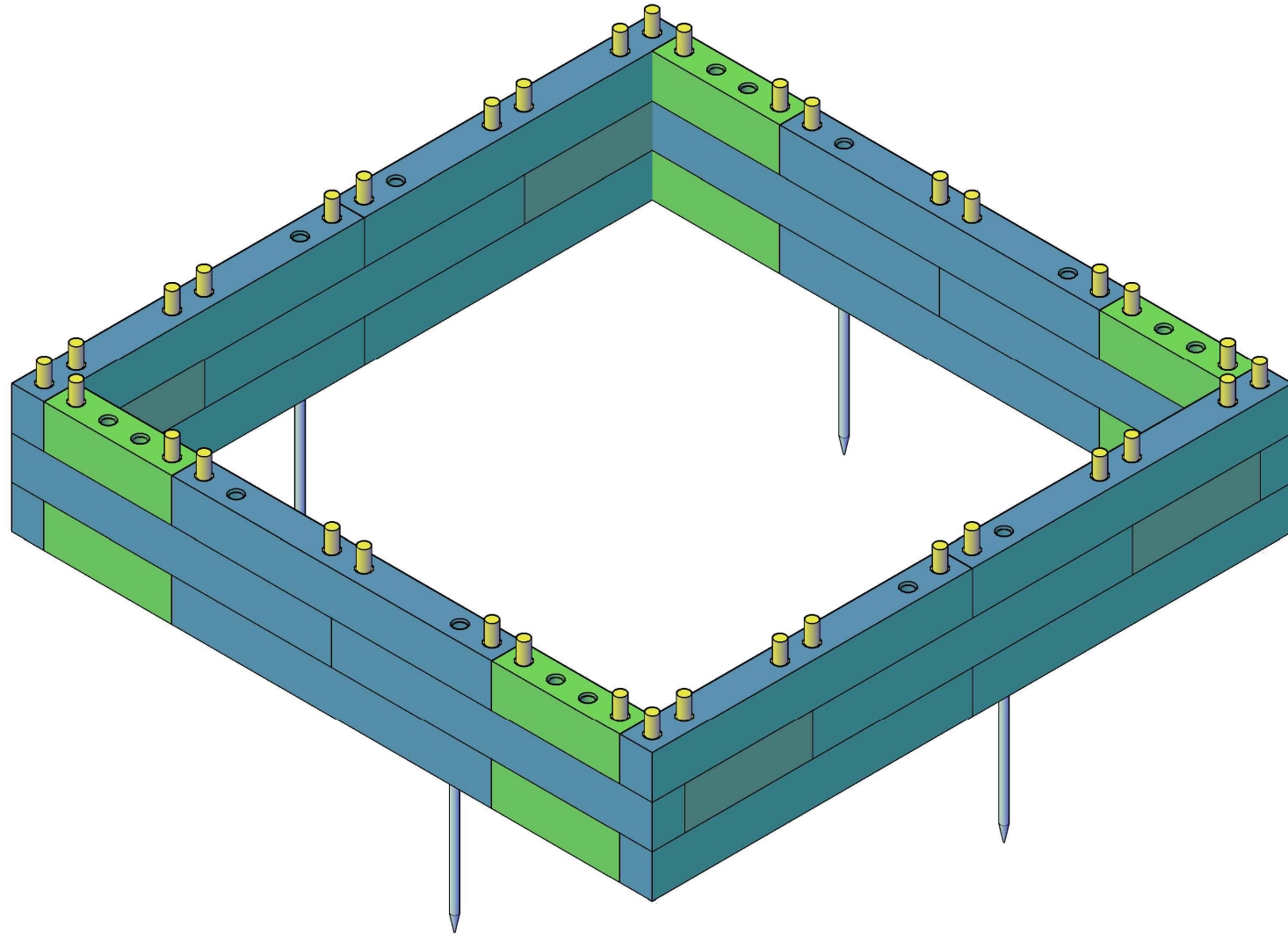


CUSTOMER NAME
SKU00427

DRAWING TITLE
LAYER02

DESIGN VERSION
1.0

WOOD BlocX

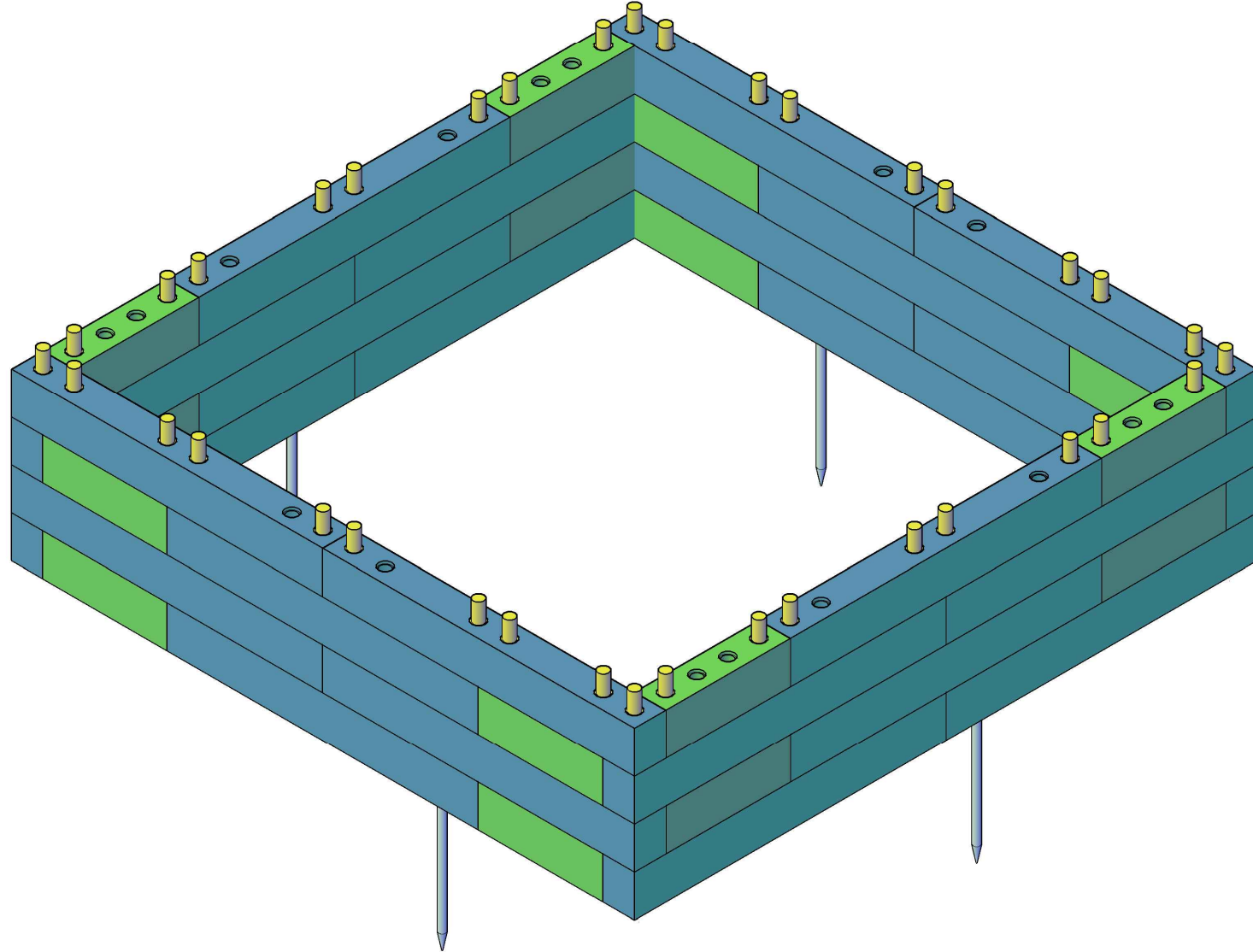


CUSTOMER NAME
SKU00427

DRAWING TITLE
LAYER03

DESIGN VERSION
1.0

WOOD BlocX

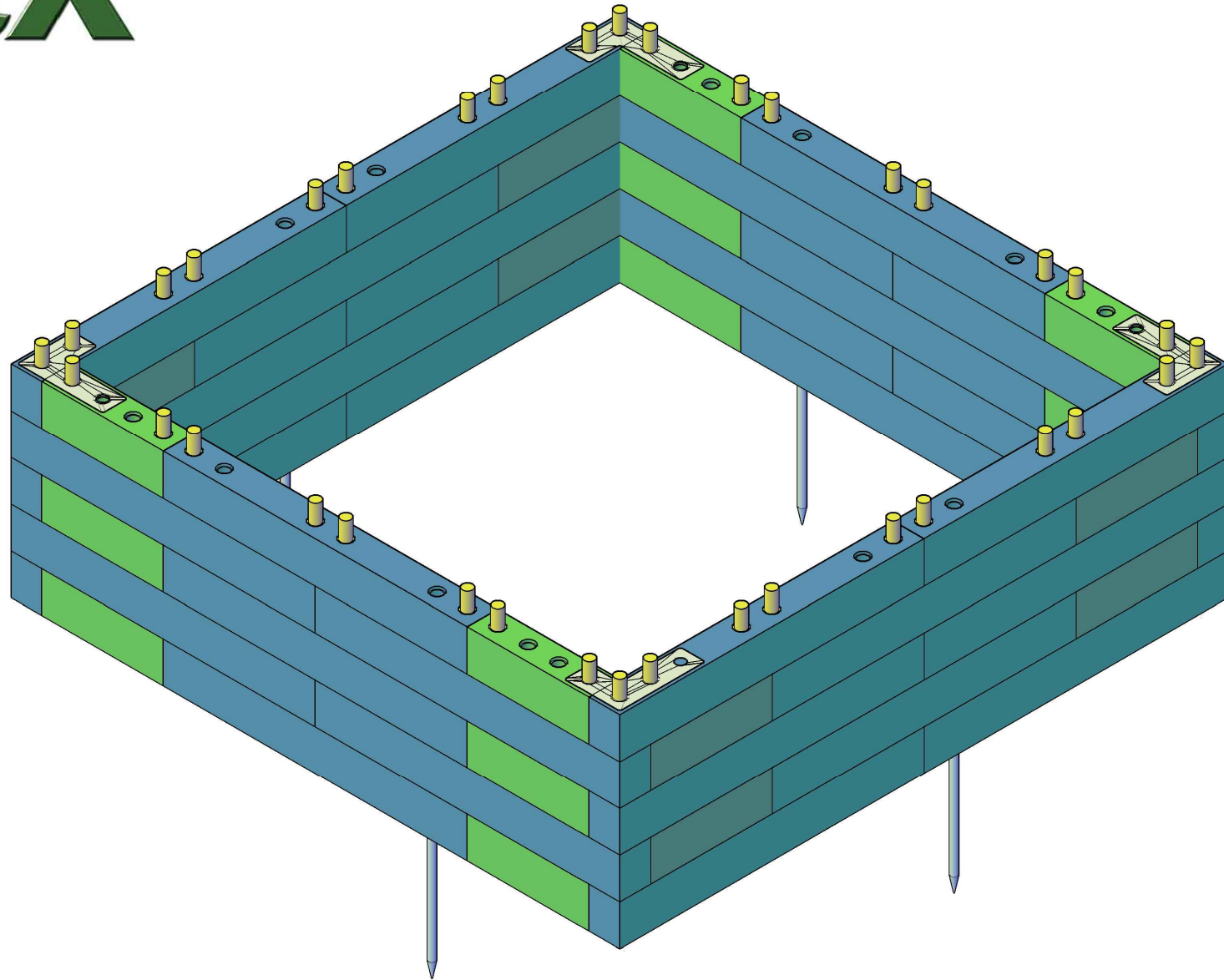


CUSTOMER NAME
SKU00427

DRAWING TITLE
LAYER04

DESIGN VERSION
1.0

WOOD BlocX

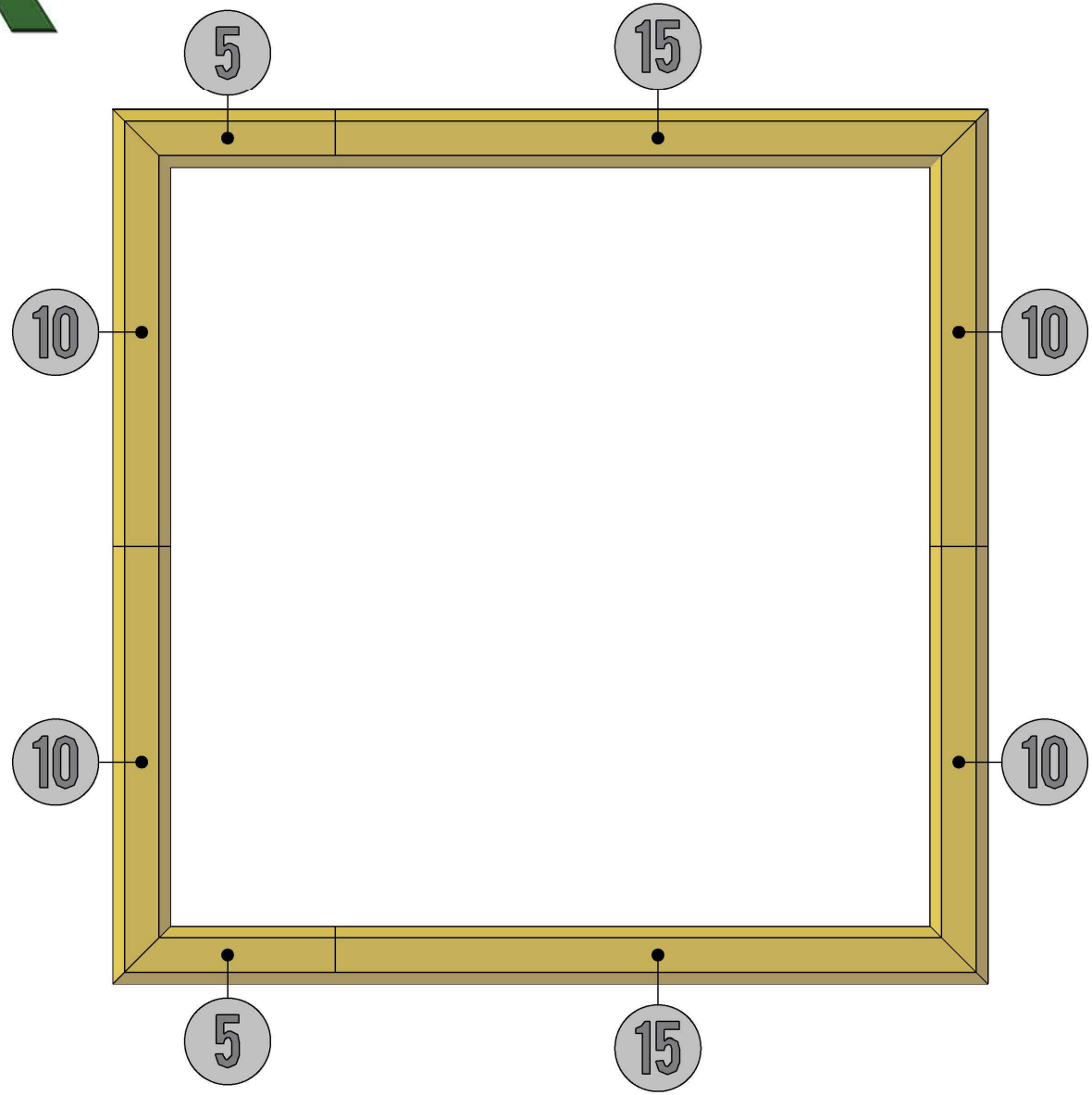


CUSTOMER NAME
SKU00427

DRAWING TITLE
LAYER05

DESIGN VERSION
1.0

WOOD BlocX



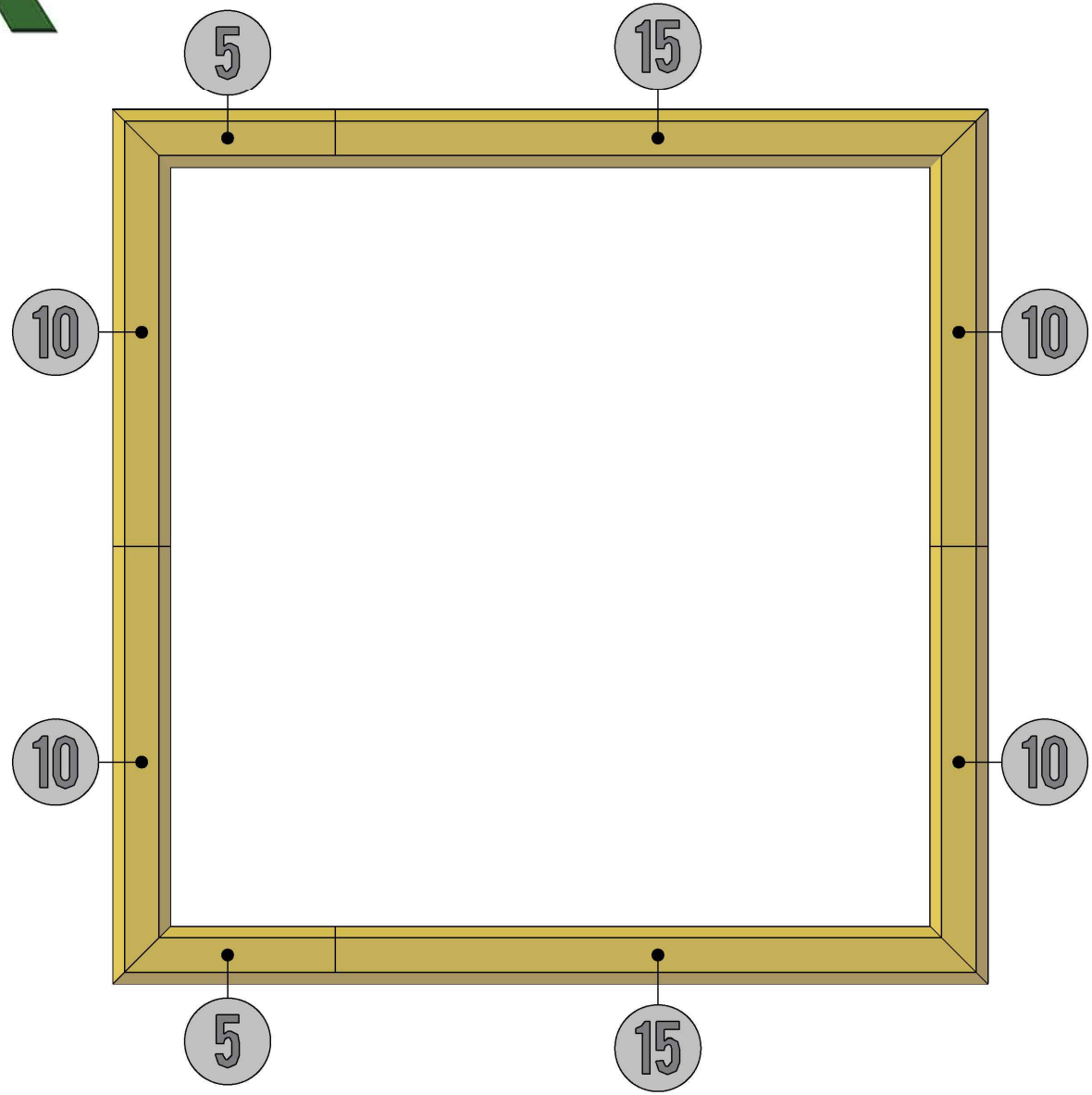
CUSTOMER NAME
SKU00427

DRAWING TITLE
CAPPINGPLAN

DESIGN VERSION
1.0

*NUMBERS REPRESENT NUMBER OF HOLES IN CAPPING

WOOD BlocX



CUSTOMER NAME
SKU00427

DRAWING TITLE
CAPPINGPLAN2

DESIGN VERSION
1.0

*NUMBERS REPRESENT NUMBER OF HOLES INCAPPING