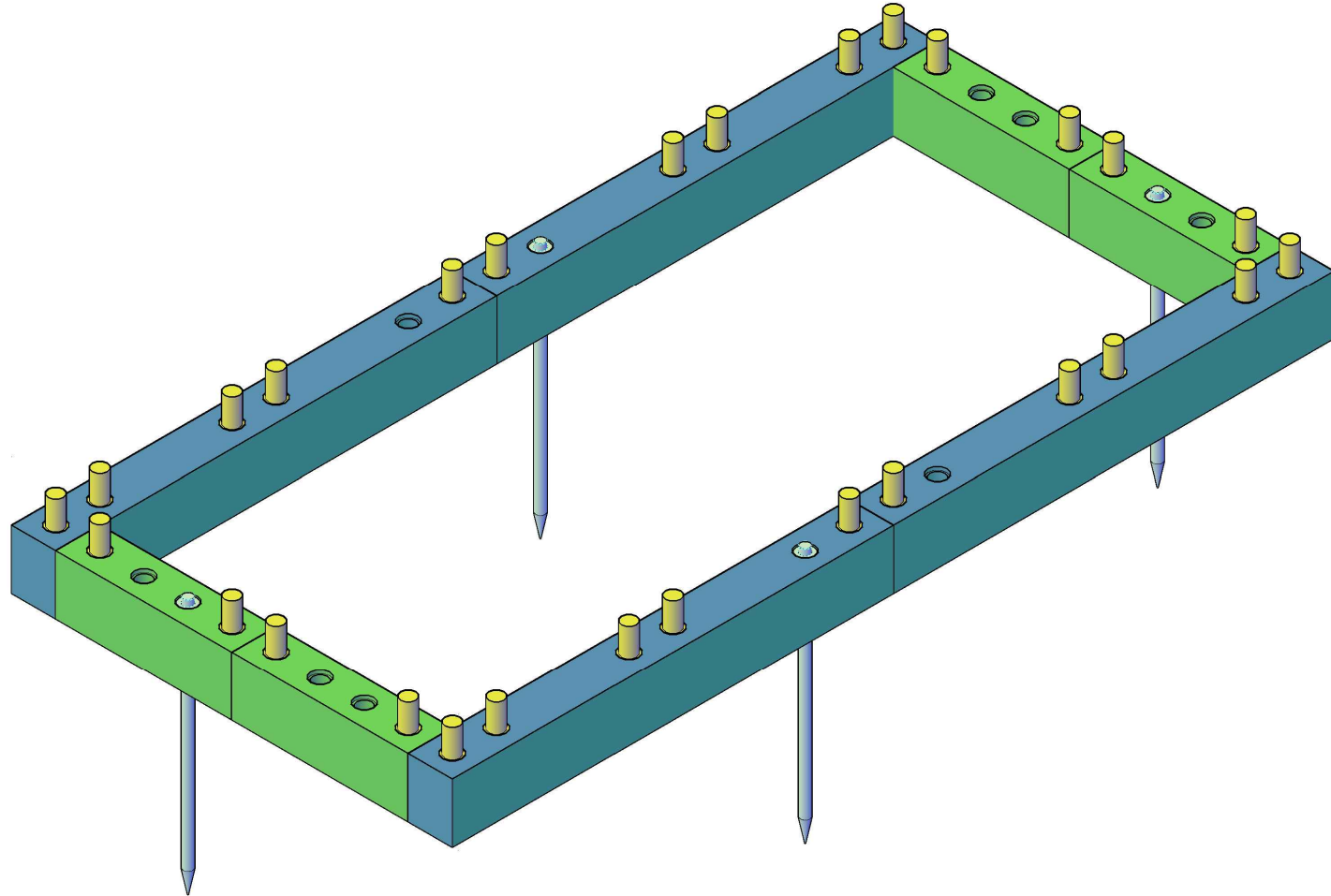


CUSTOMER NAME
SKU00428

DRAWING TITLE
COVER 3D

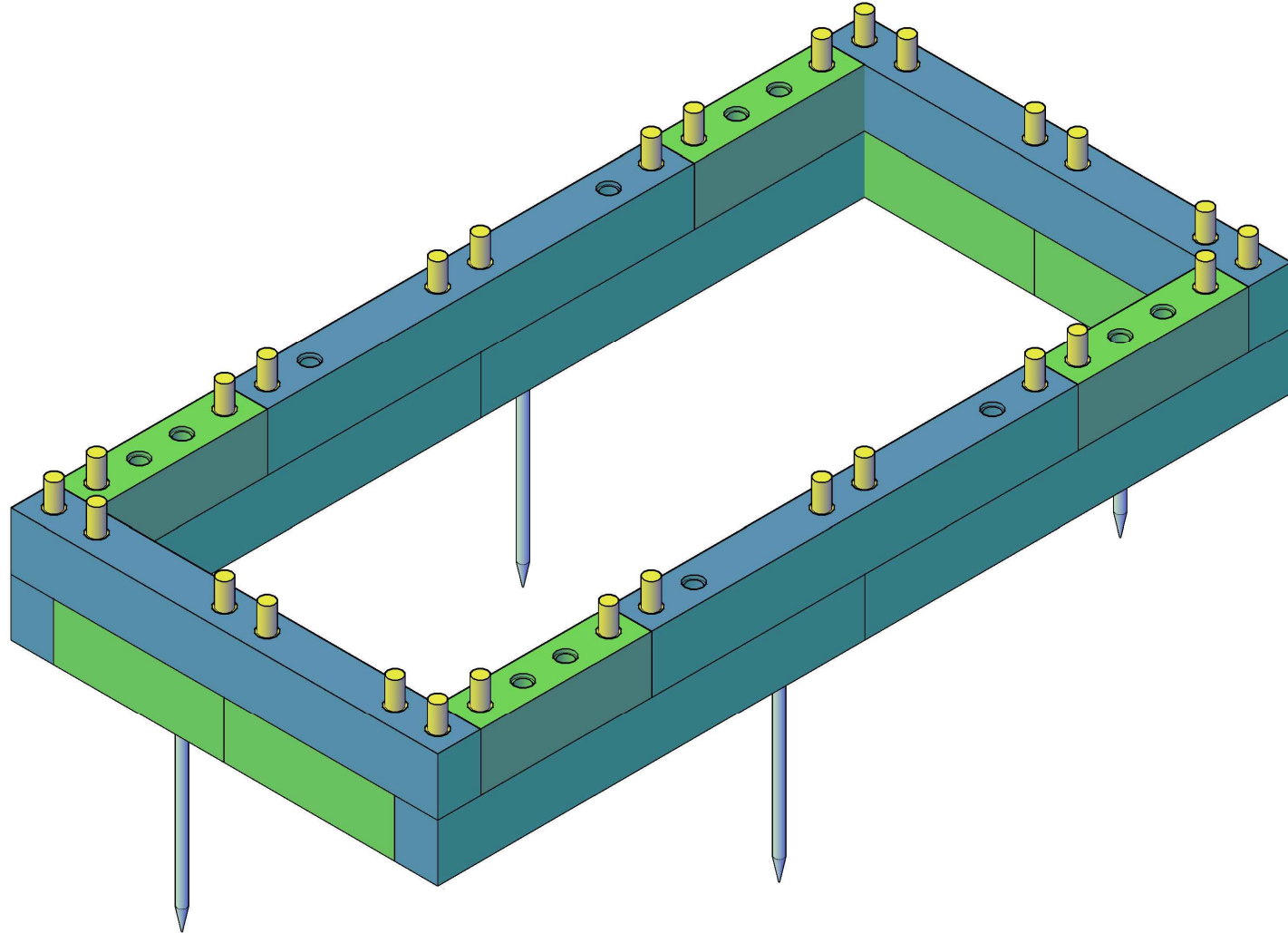
DESIGN VERSION
1.0



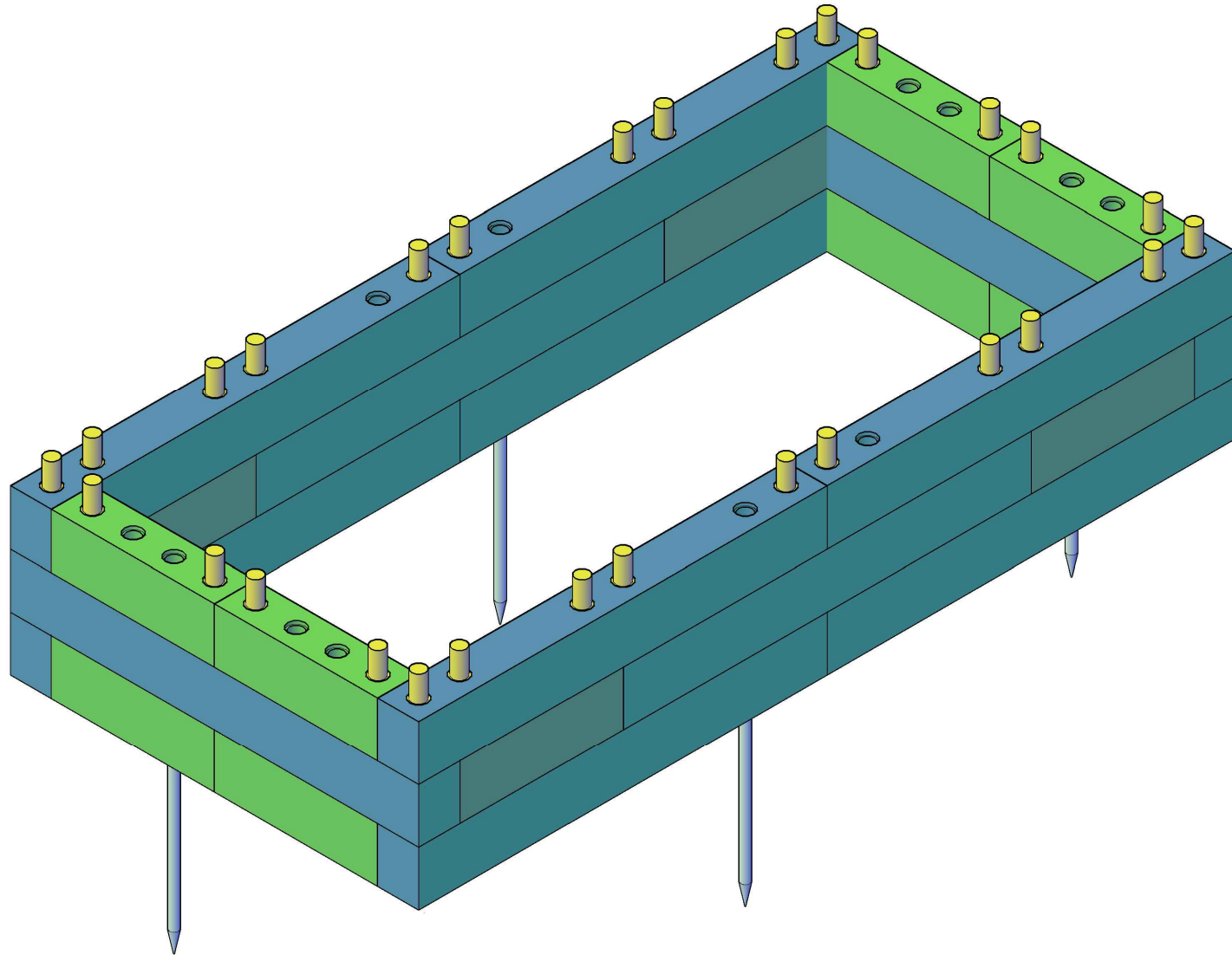
CUSTOMER NAME
SKU00428

DRAWING TITLE
LAYER01

DESIGN VERSION
1.0



WOOD BlocX

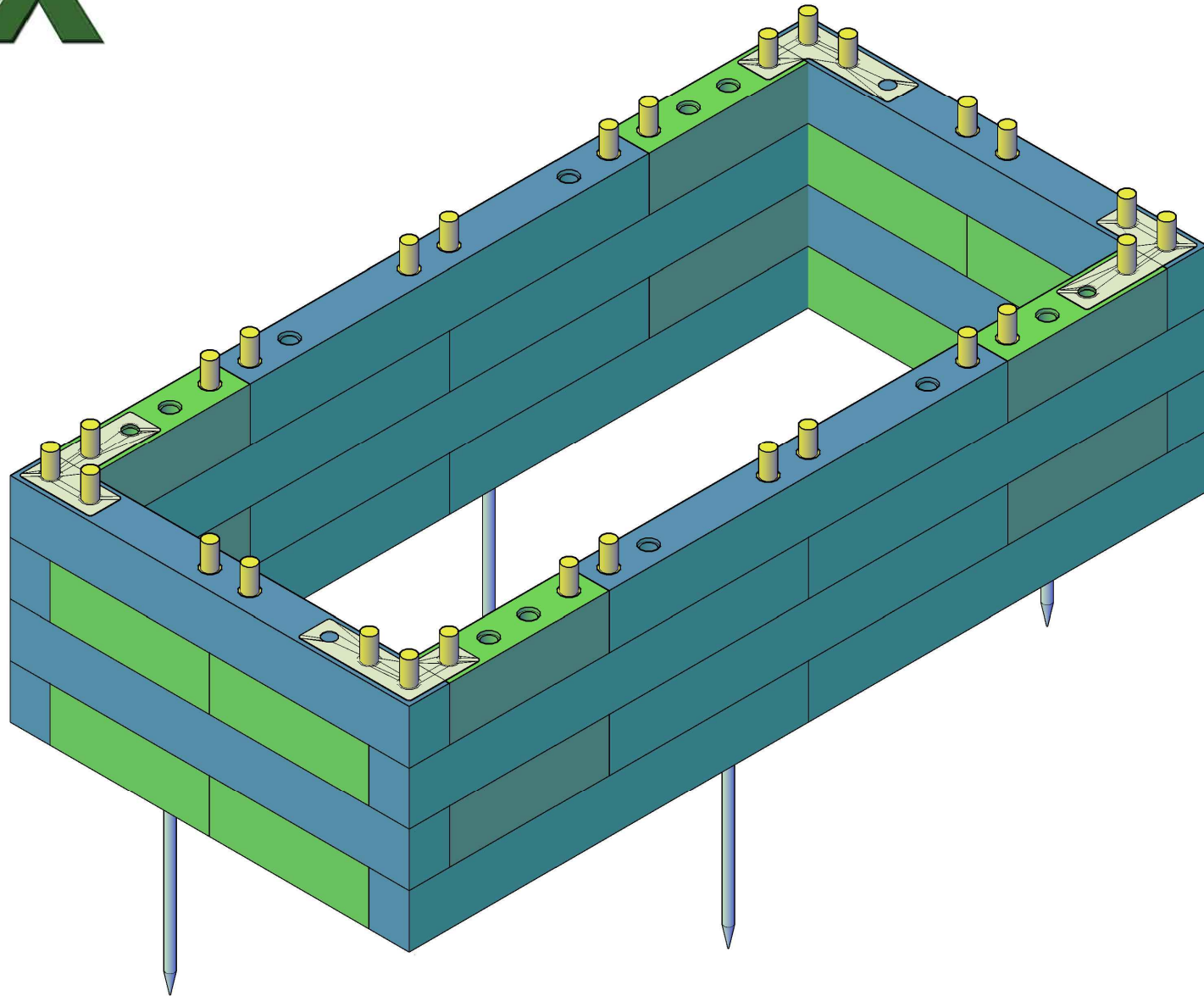


CUSTOMER NAME
SKU00428

DRAWING TITLE
LAYER03

DESIGN VERSION
1.0

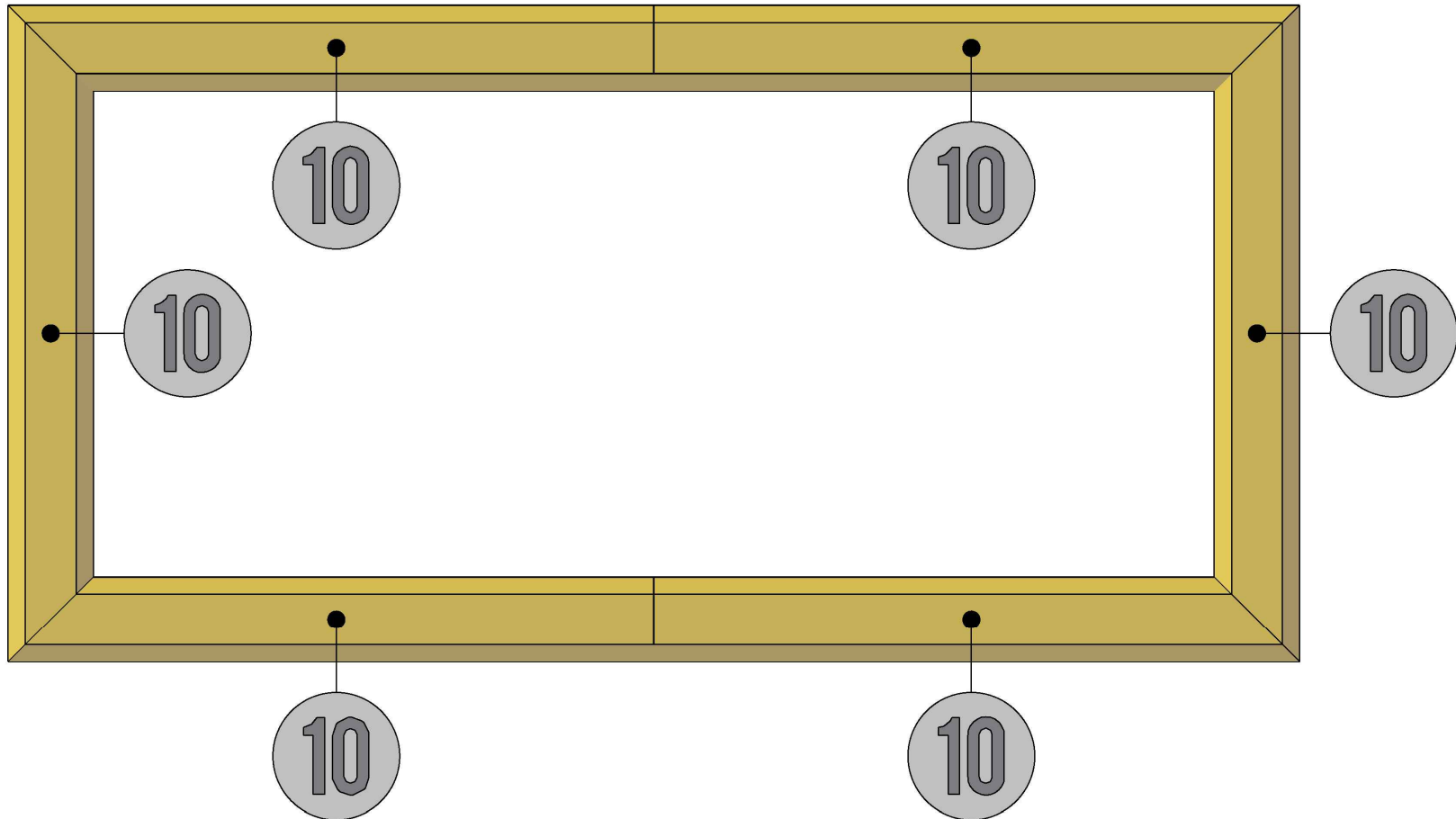
WOOD BlocX



CUSTOMER NAME
SKU00428

DRAWING TITLE
LAYER04

DESIGN VERSION
1.0

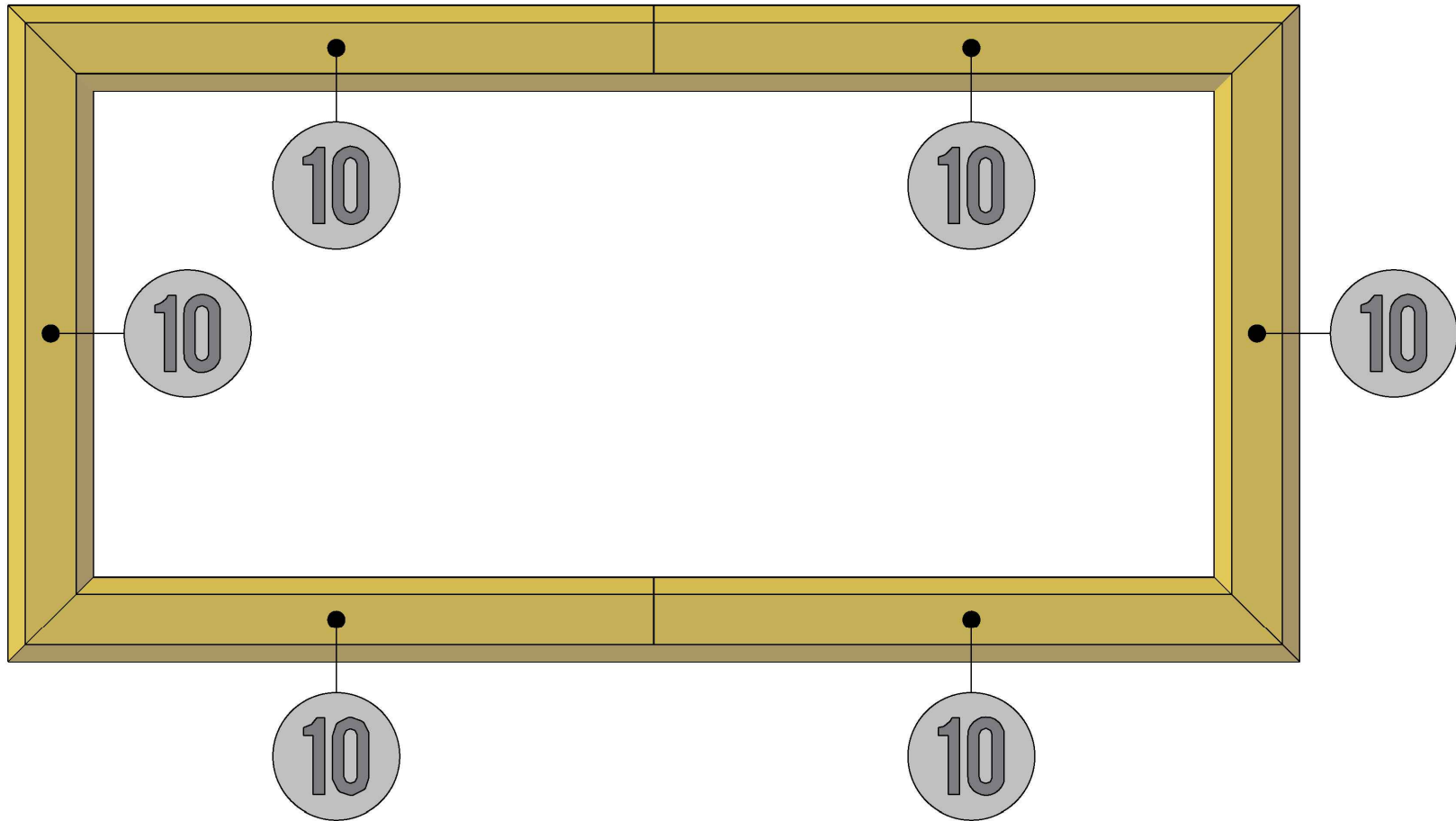


***NUMBERS REPRESENT NUMBER OF HOLES IN CAPPING**

CUSTOMER NAME
SKU00428

DRAWING TITLE
CAPPINGPLAN

DESIGN VERSION
1.0



***NUMBERS REPRESENT NUMBER OF HOLES IN CAPPING**

CUSTOMER NAME
SKU00428

DRAWING TITLE
CAPPINGPLAN2

DESIGN VERSION
1.0