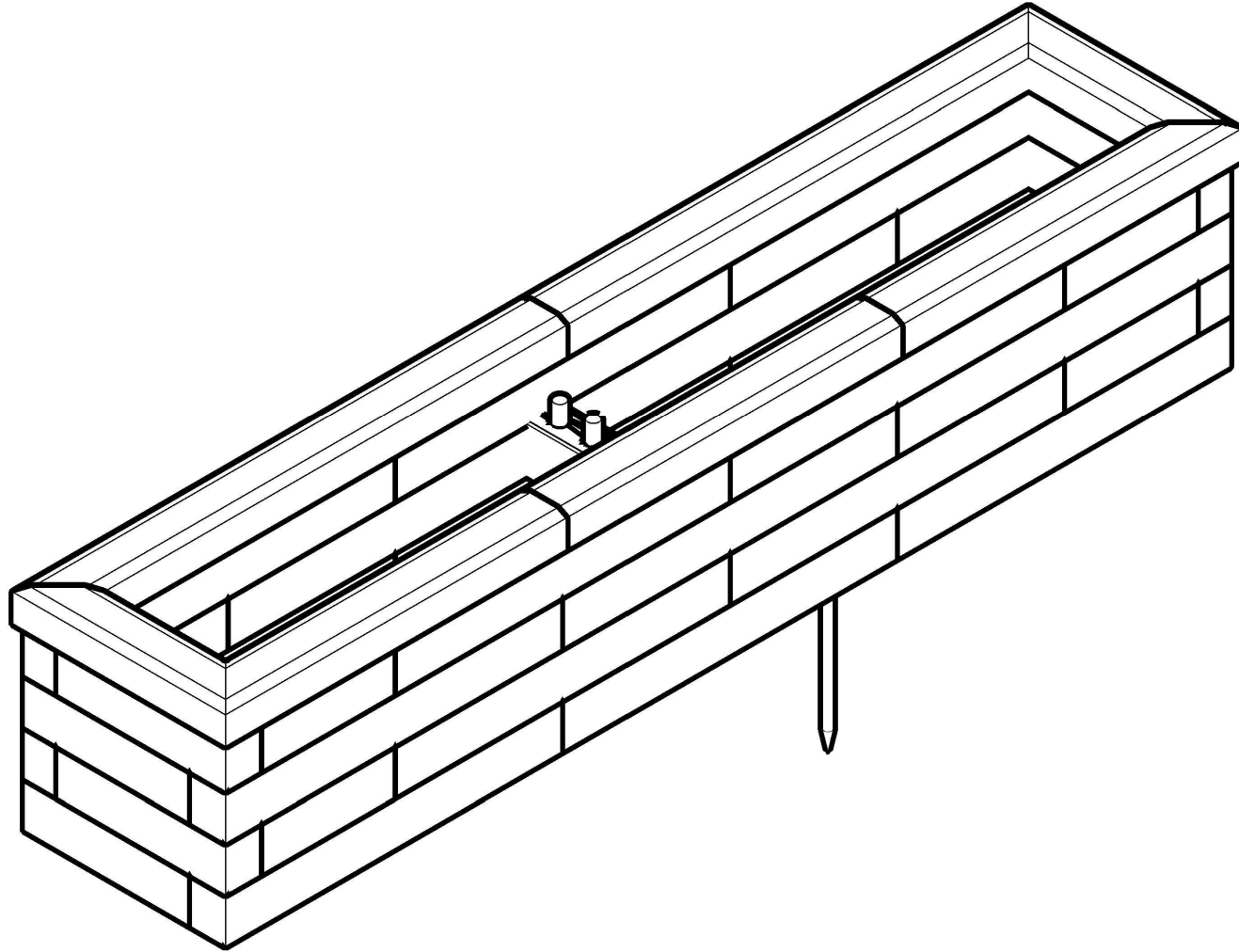
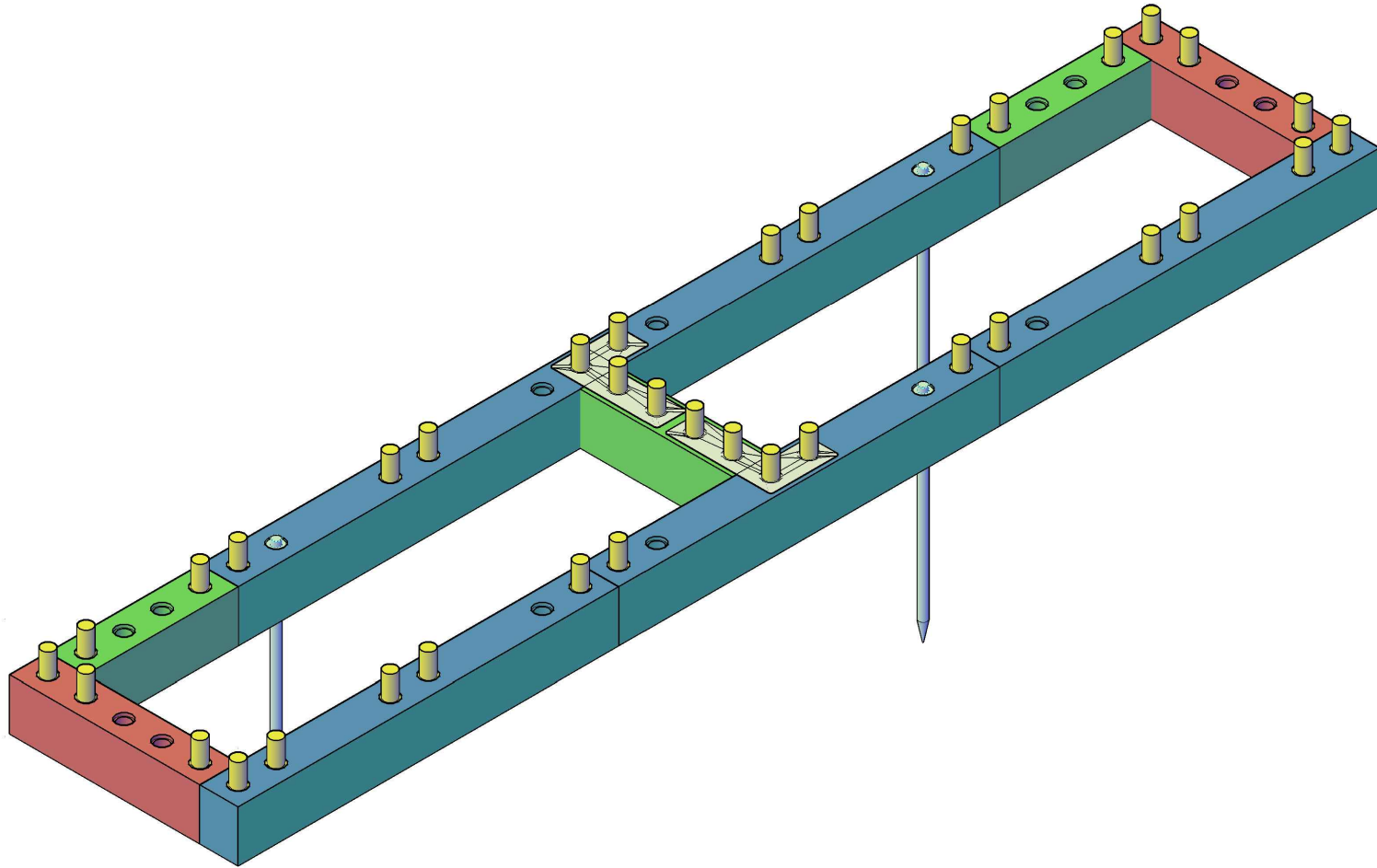


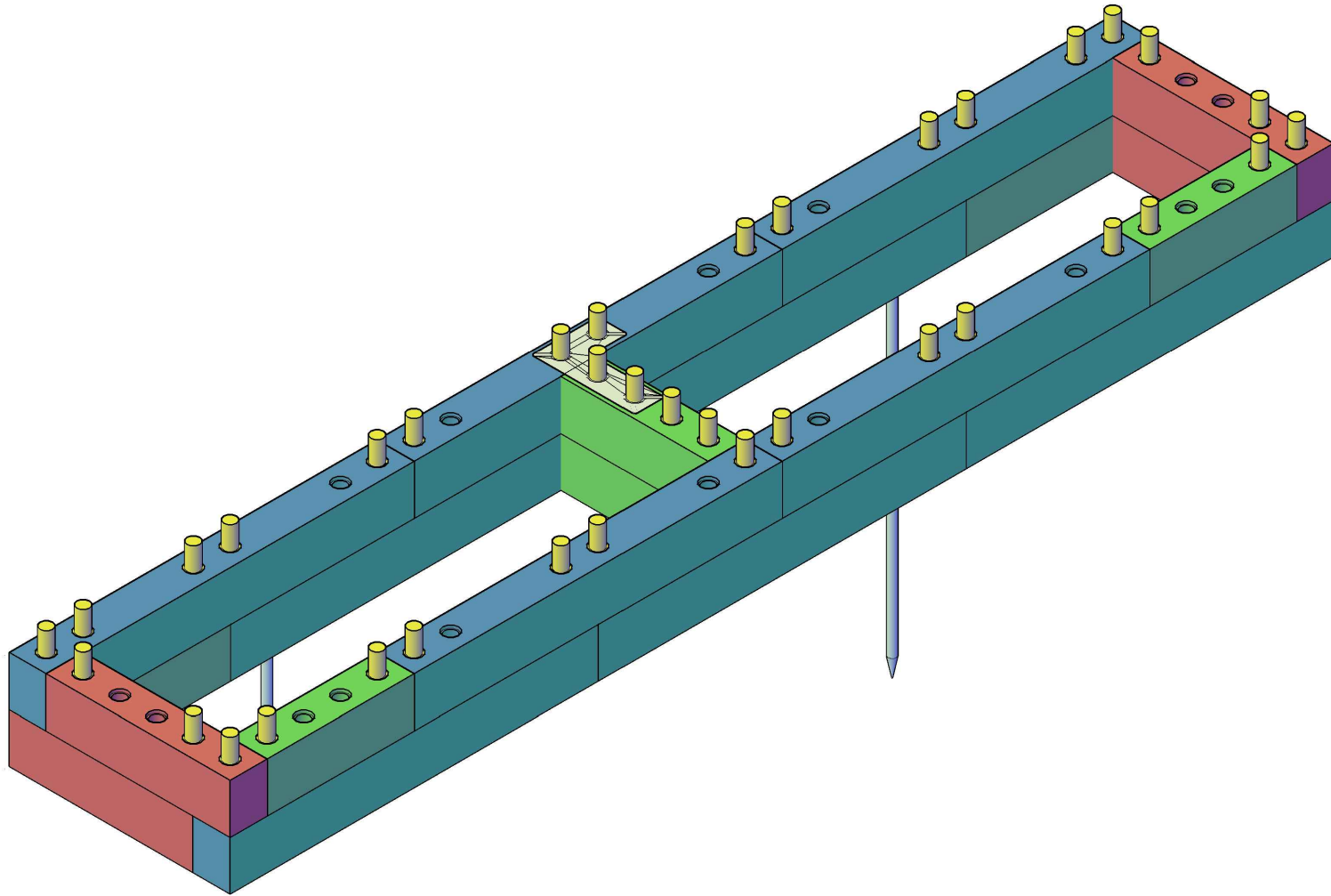
WOOD BlocX



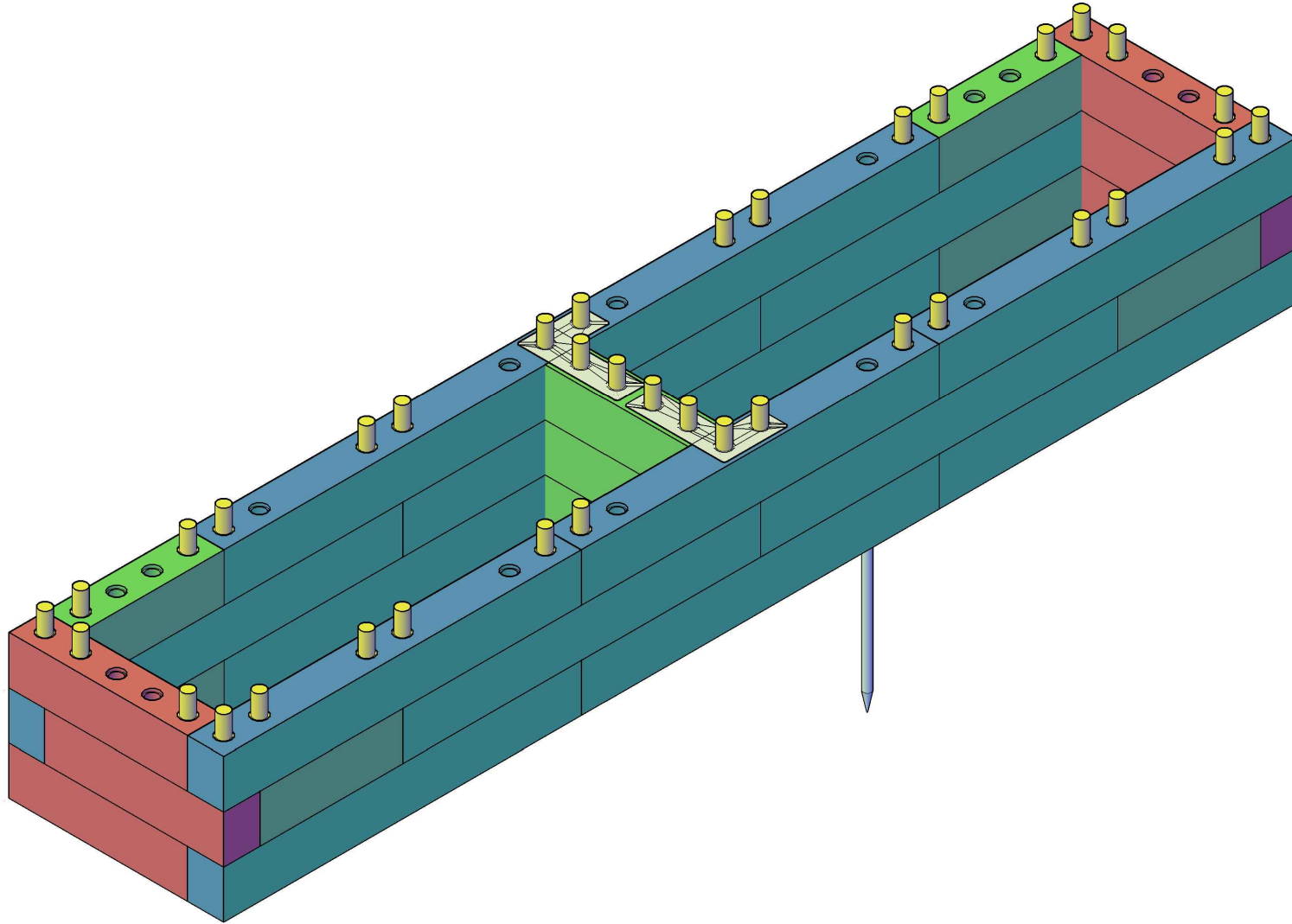
WOOD BlocX



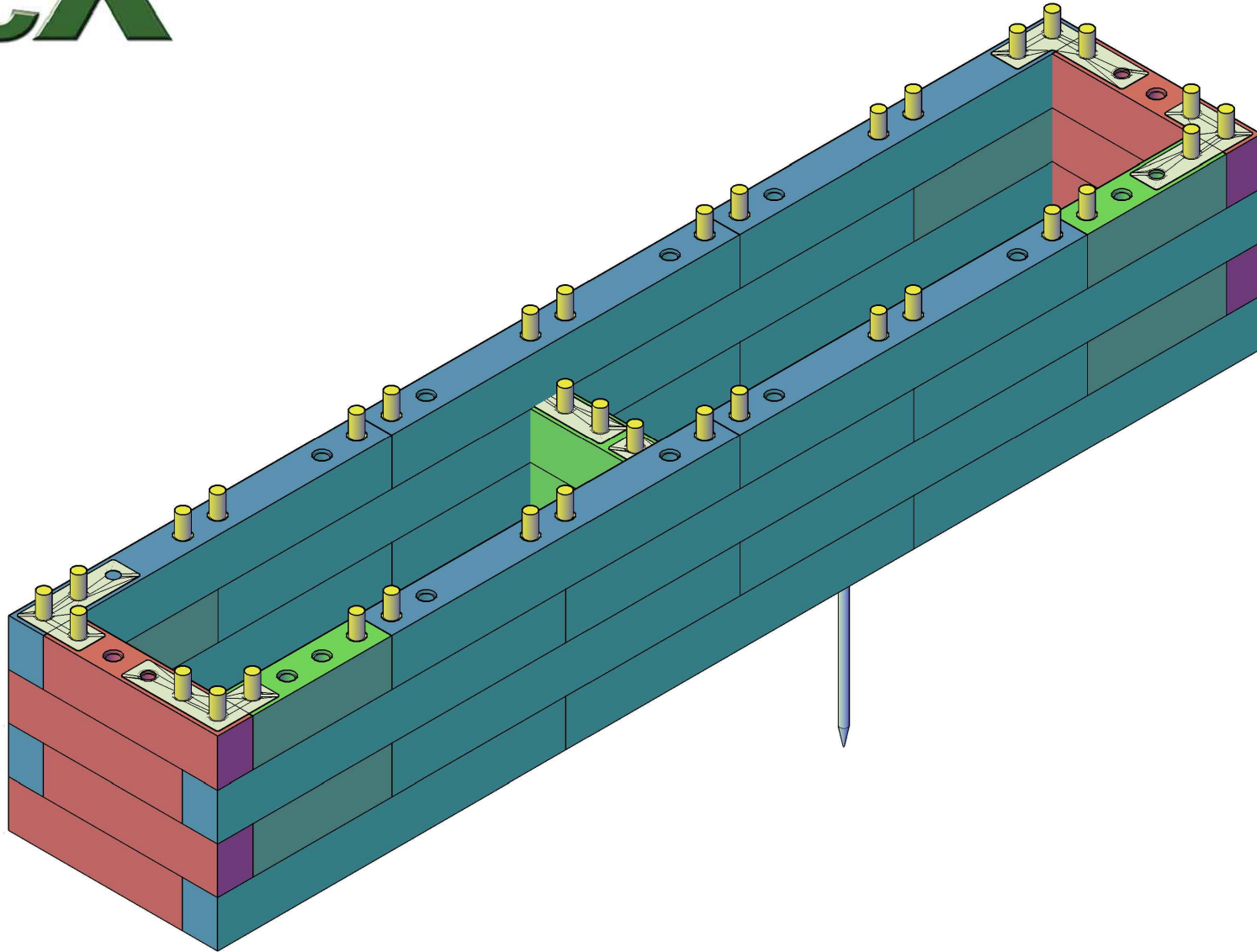
WOOD BlocX



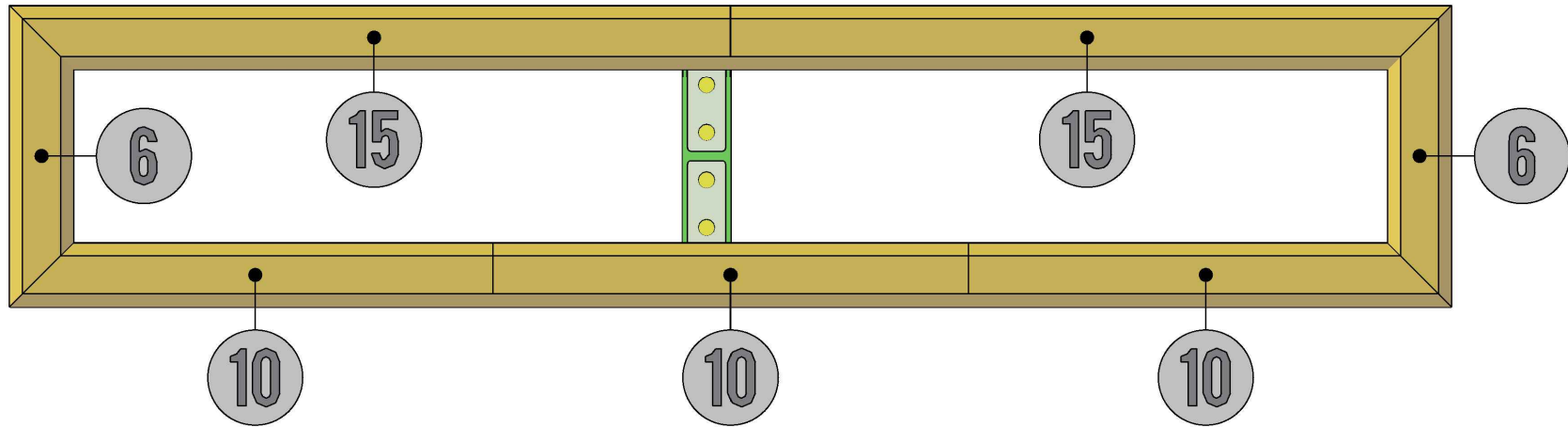
WOOD BlocX



WOOD BlocX



WOOD BlocX



*NUMBERS REPRESENT NUMBER OF HOLES IN CAPPING

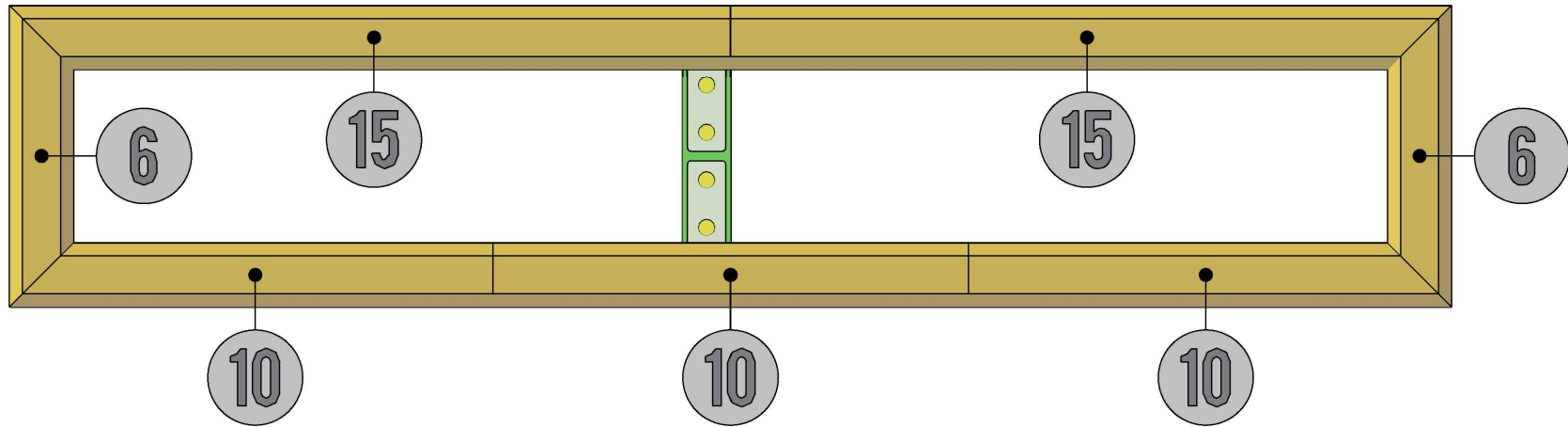
WoodBlocX Instructions

----MX----MX----M

Layer

CAPPING PLAN

WOOD BlocX



*NUMBERS REPRESENT NUMBER OF HOLES IN CAPPING

WoodBlocX Instructions

----MX----MX----M

Layer

CAPPING PLAN