

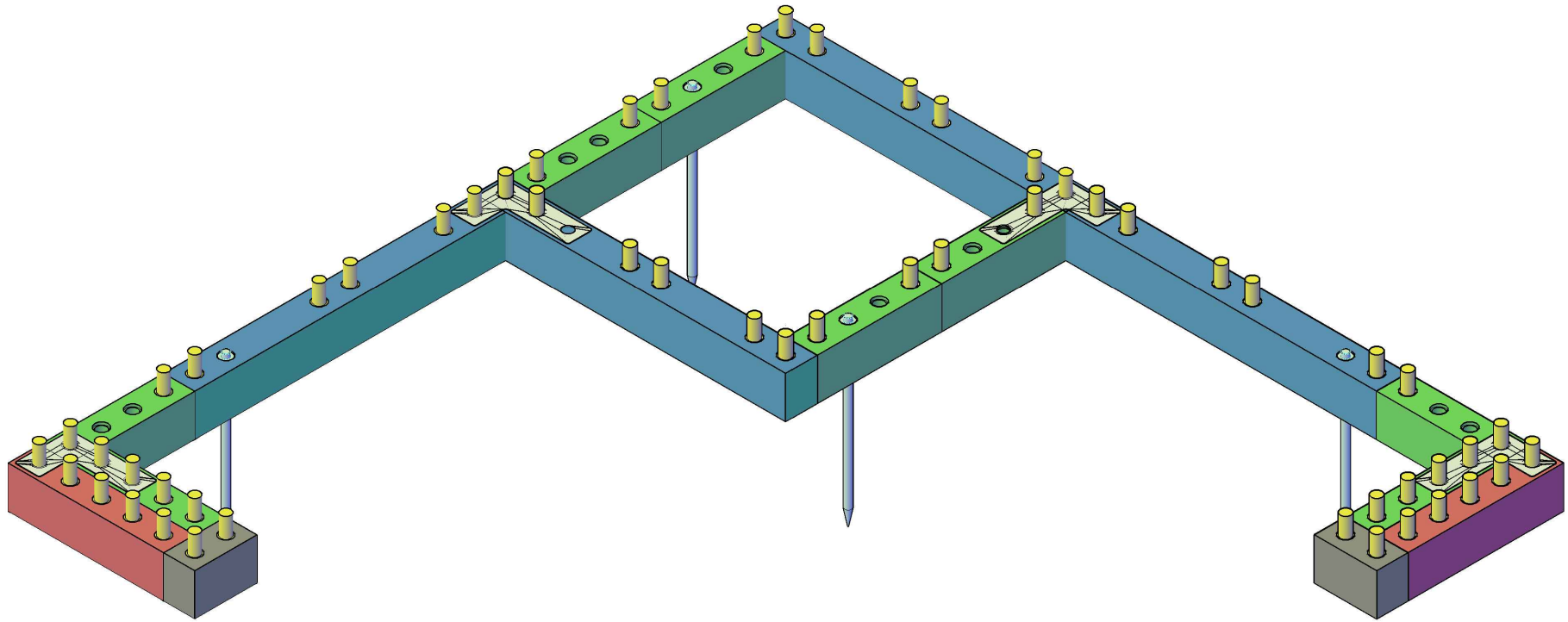
CUSTOMER NAME

BESPOKE

DRAWING TITLE

COVER 3D

DESIGN VERSION



---

CUSTOMER NAME

**BESPOKE**

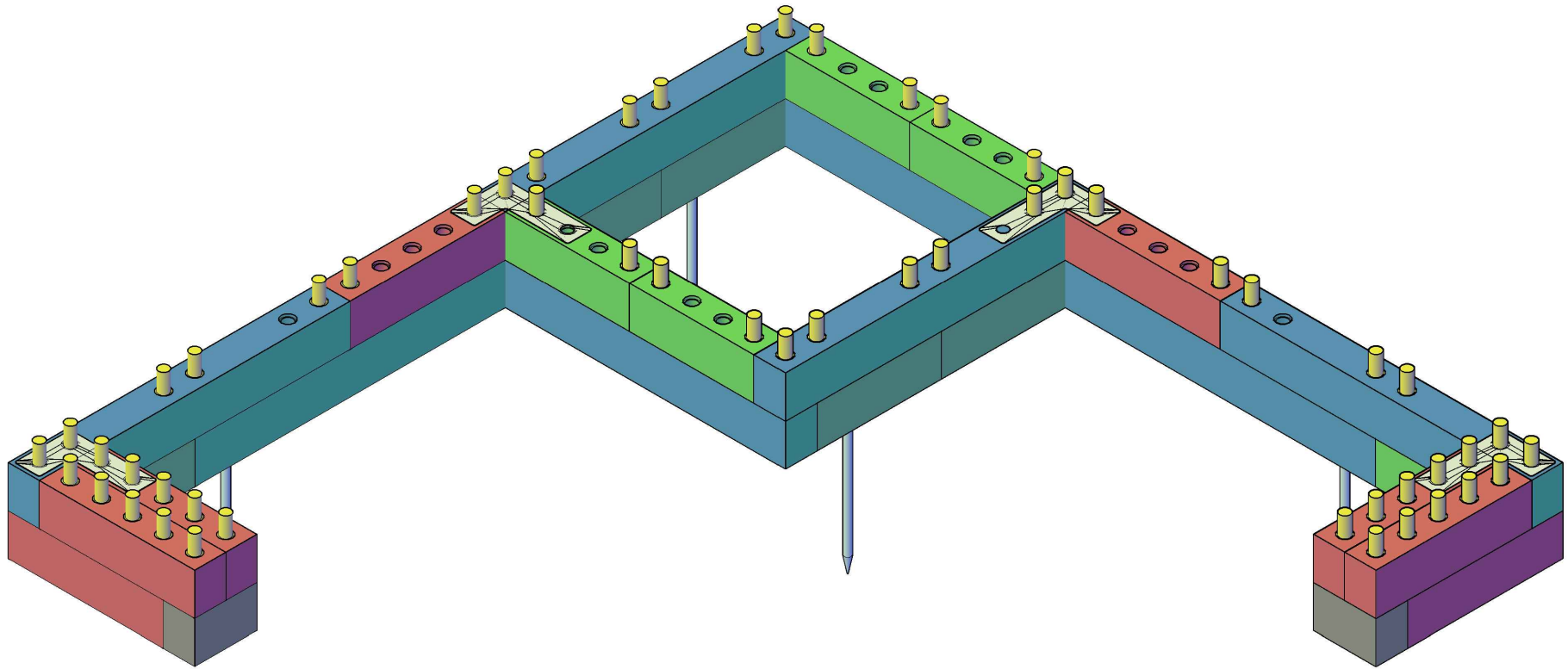
---

DRAWING TITLE

**LAYER1**

---

DESIGN VERSION



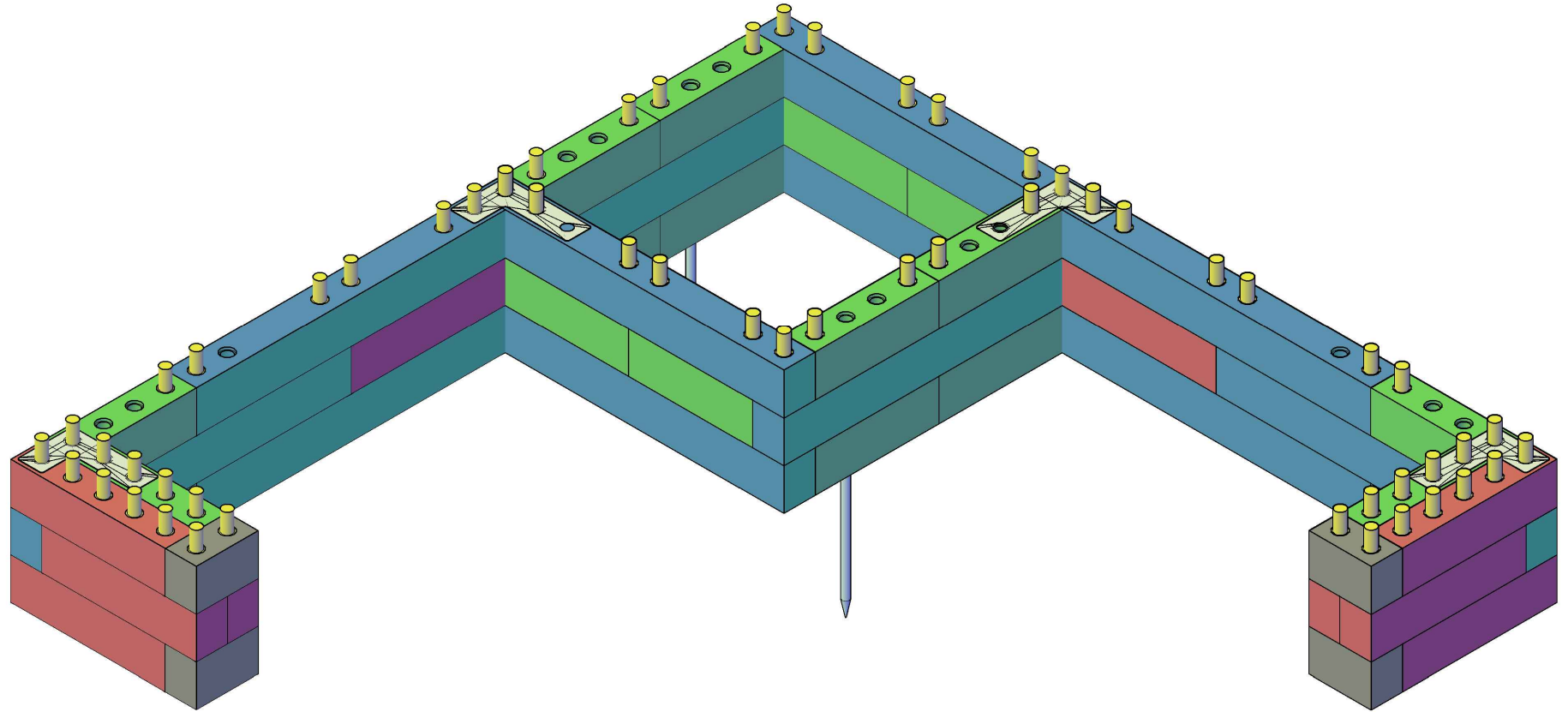
CUSTOMER NAME

**BESPOKE**

DRAWING TITLE

**LAYER2**

DESIGN VERSION



CUSTOMER NAME

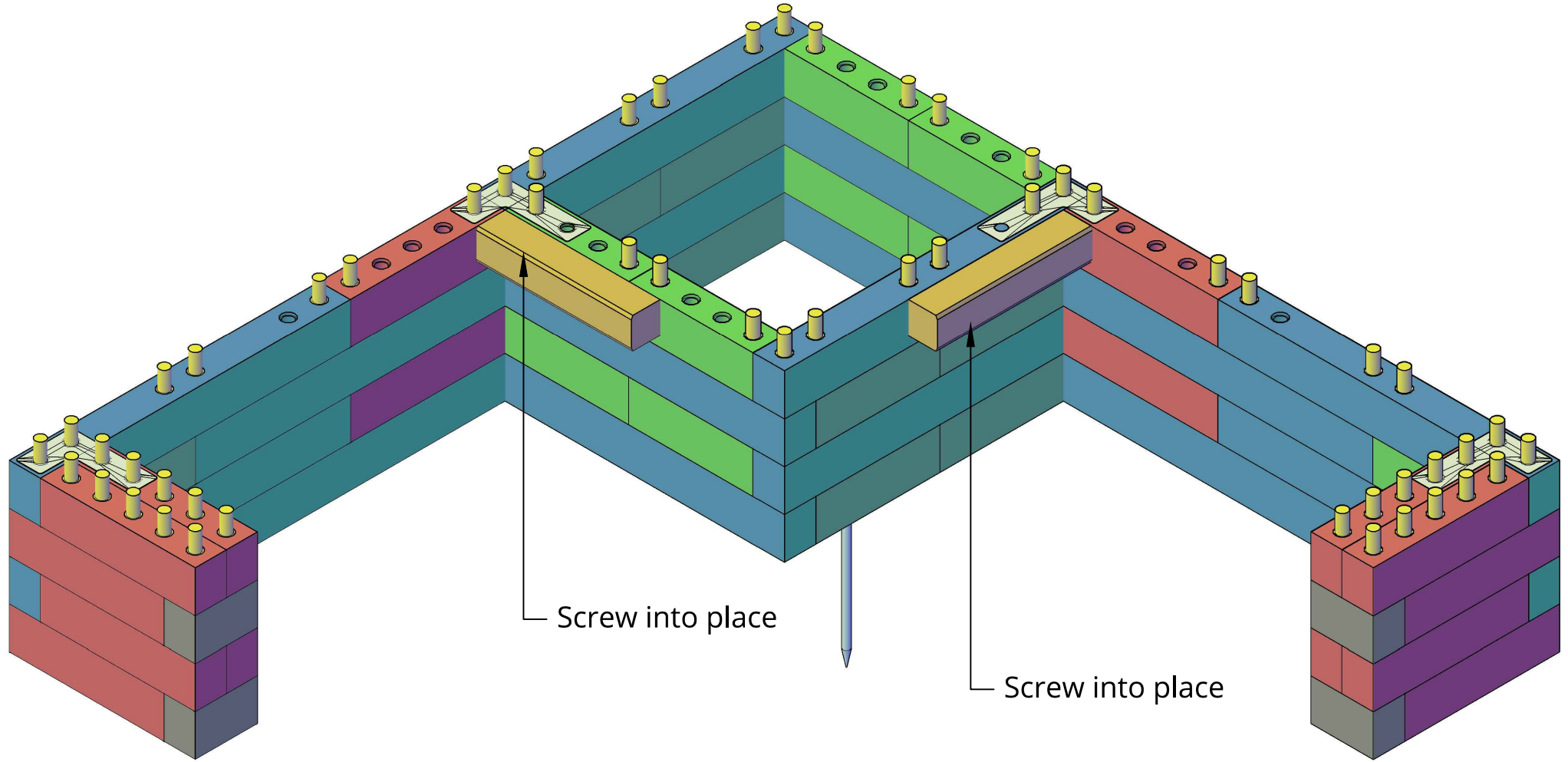
**BESPOKE**

DRAWING TITLE

**LAYER 3**

DESIGN VERSION

# WOOD BlocX



CUSTOMER NAME

**BESPOKE**

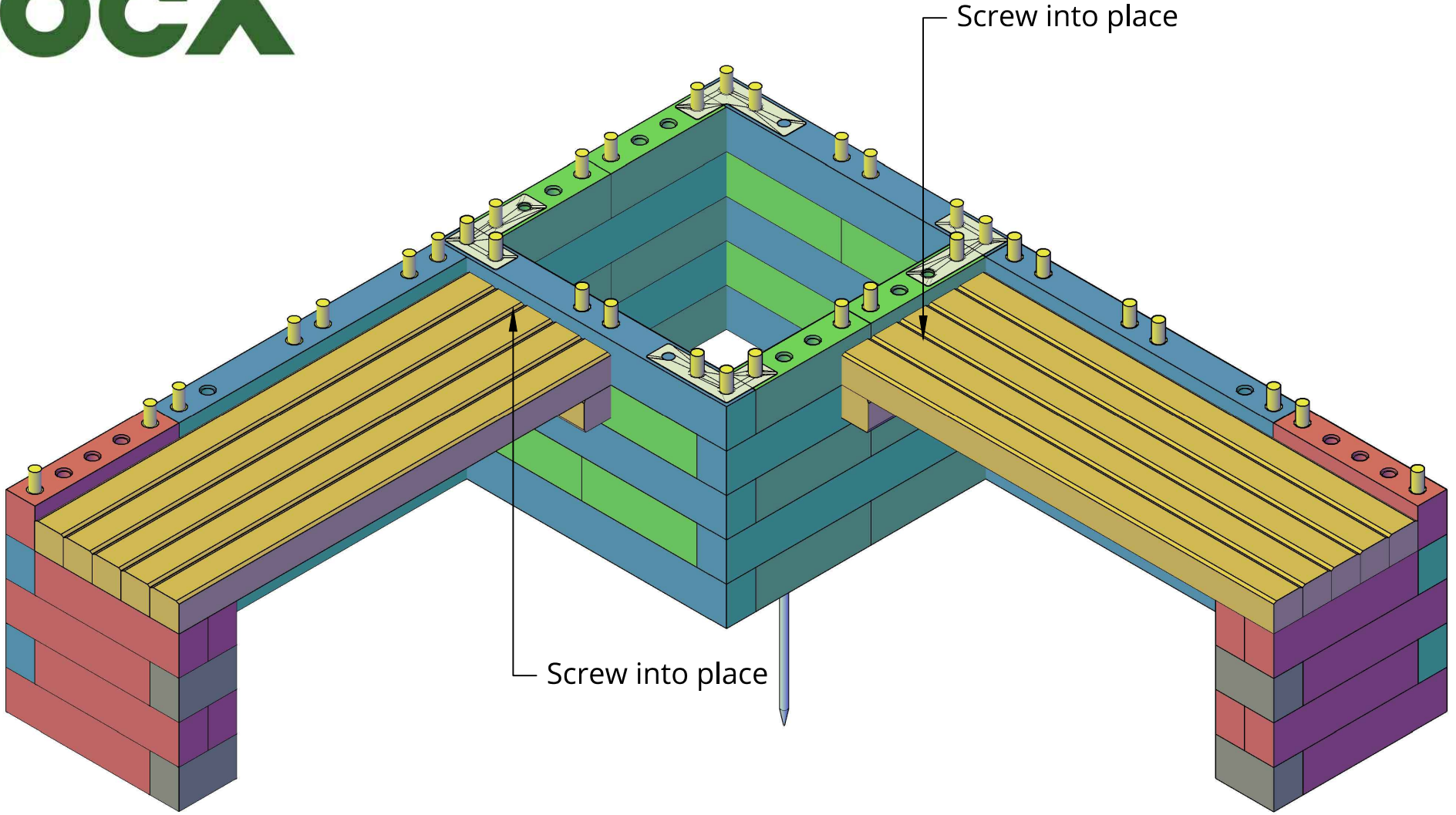
DRAWING TITLE

**LAYER 4**

DESIGN VERSION



# WOOD BlocX



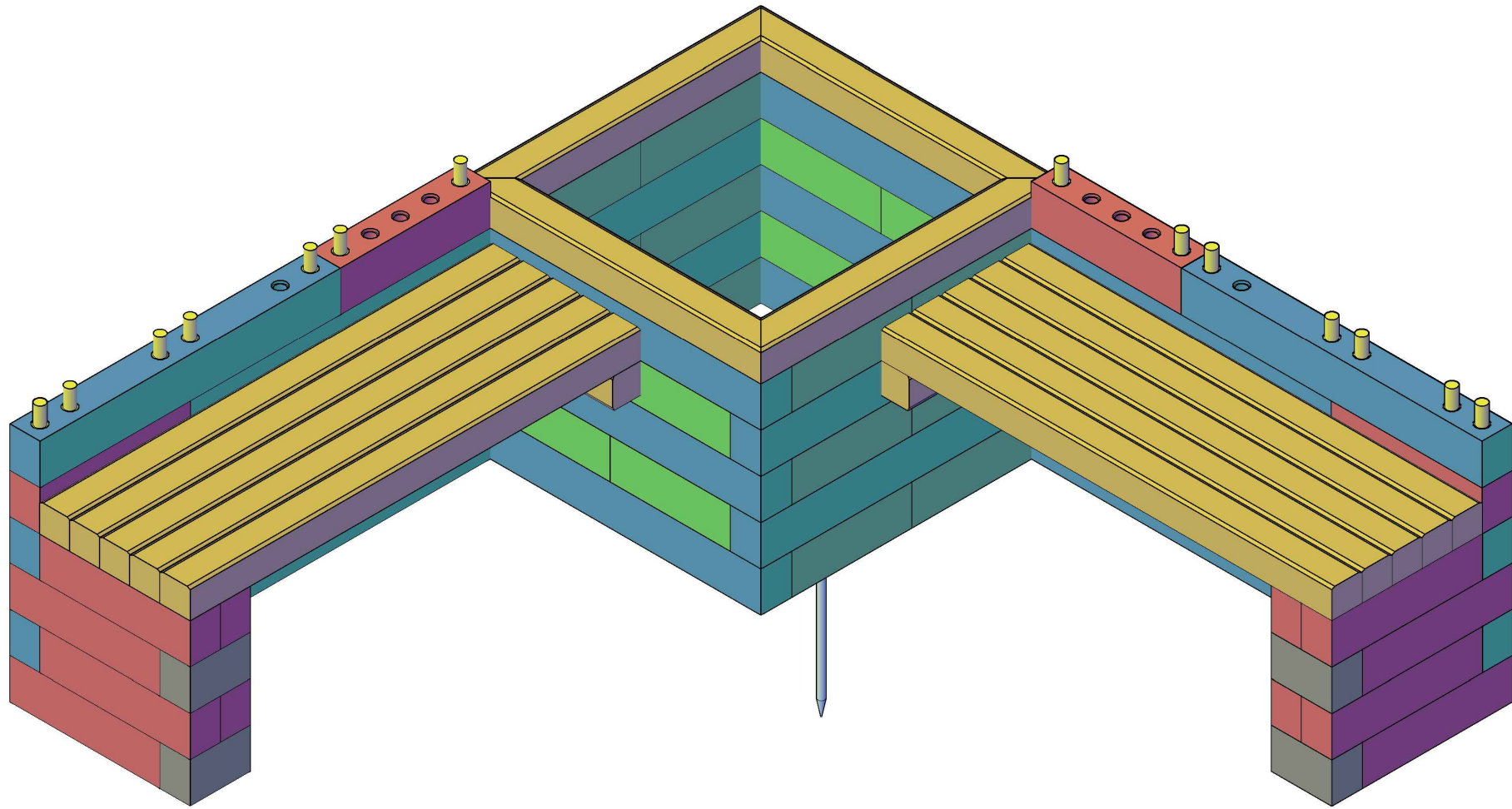
CUSTOMER NAME

**BESPOKE**

DRAWING TITLE

**LAYER5**

DESIGN VERSION



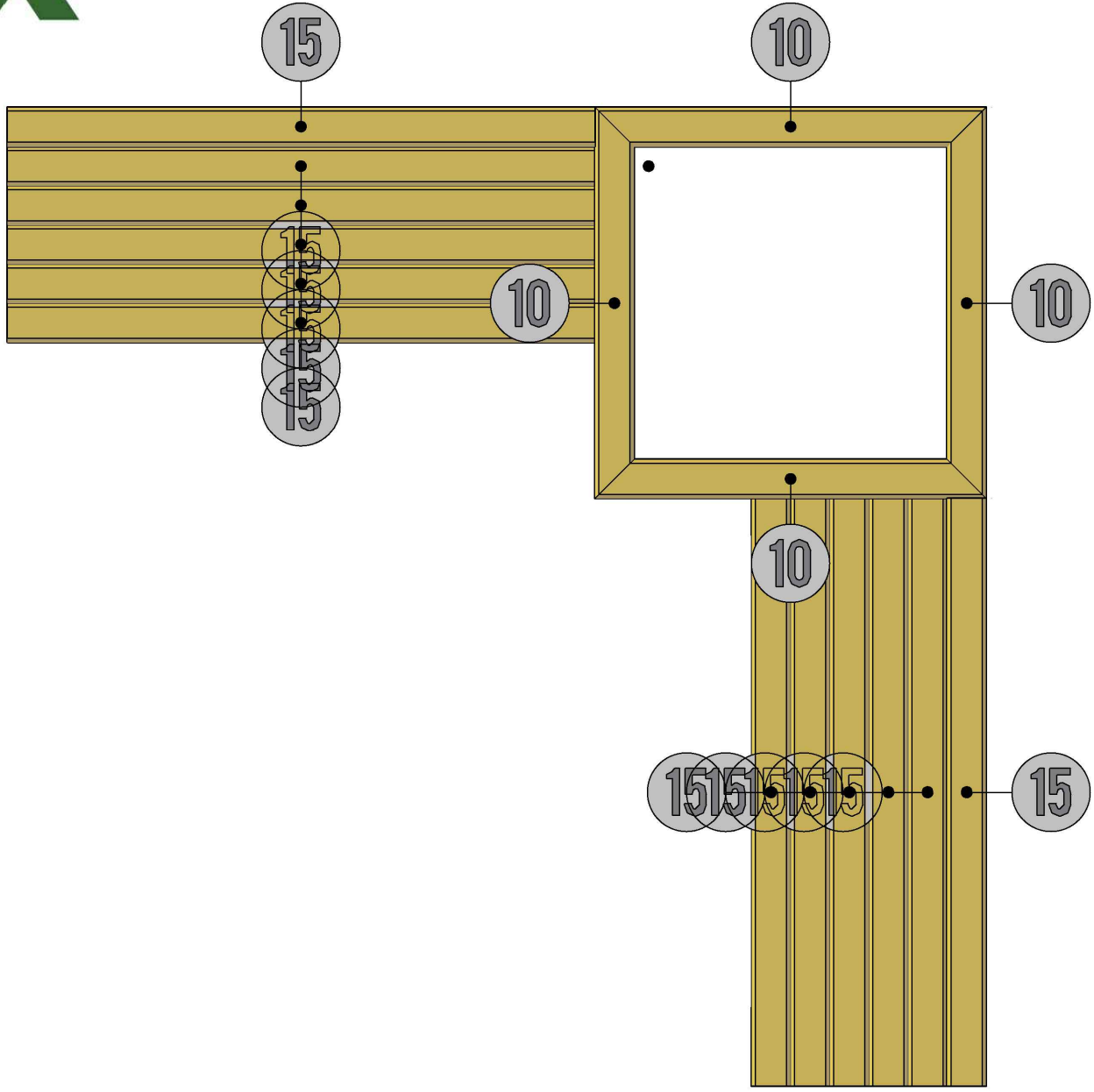
CUSTOMER NAME

**BESPOKE**

DRAWING TITLE

**LAYER6**

DESIGN VERSION



CUSTOMER NAME \_\_\_\_\_ DRAWING TITLE \_\_\_\_\_ DESIGN VERSION \_\_\_\_\_

\*NUMBERS REPRESENT NUMBER OF HOLES INCAPPING

BESPOKE

CAPPINGPLAN