

CUSTOMER NAME

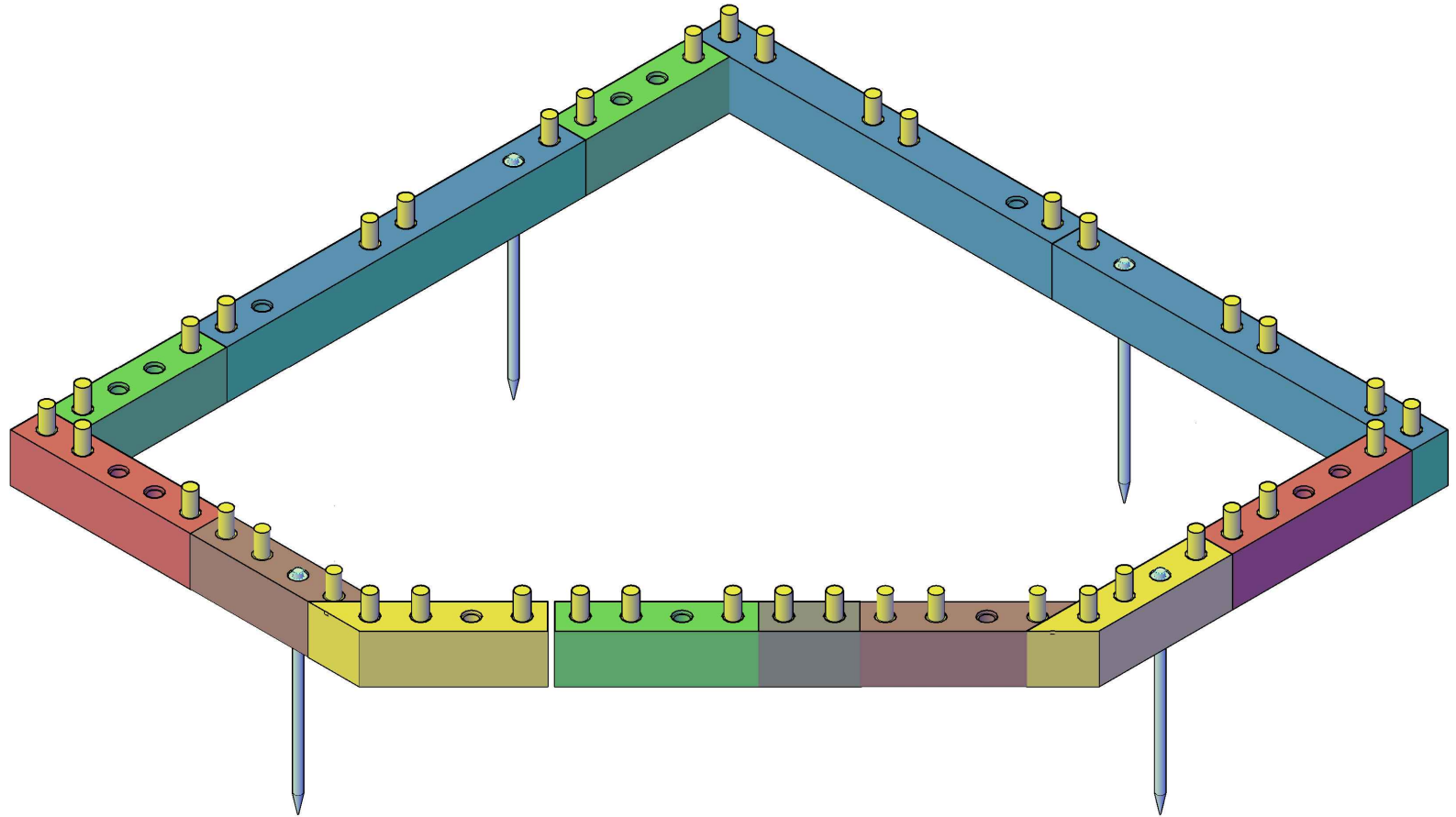
DRAWING TITLE

DESIGN VERSION

1.DWGMX----MX----M

COVER 3D

WOOD BlocX



CUSTOMER NAME

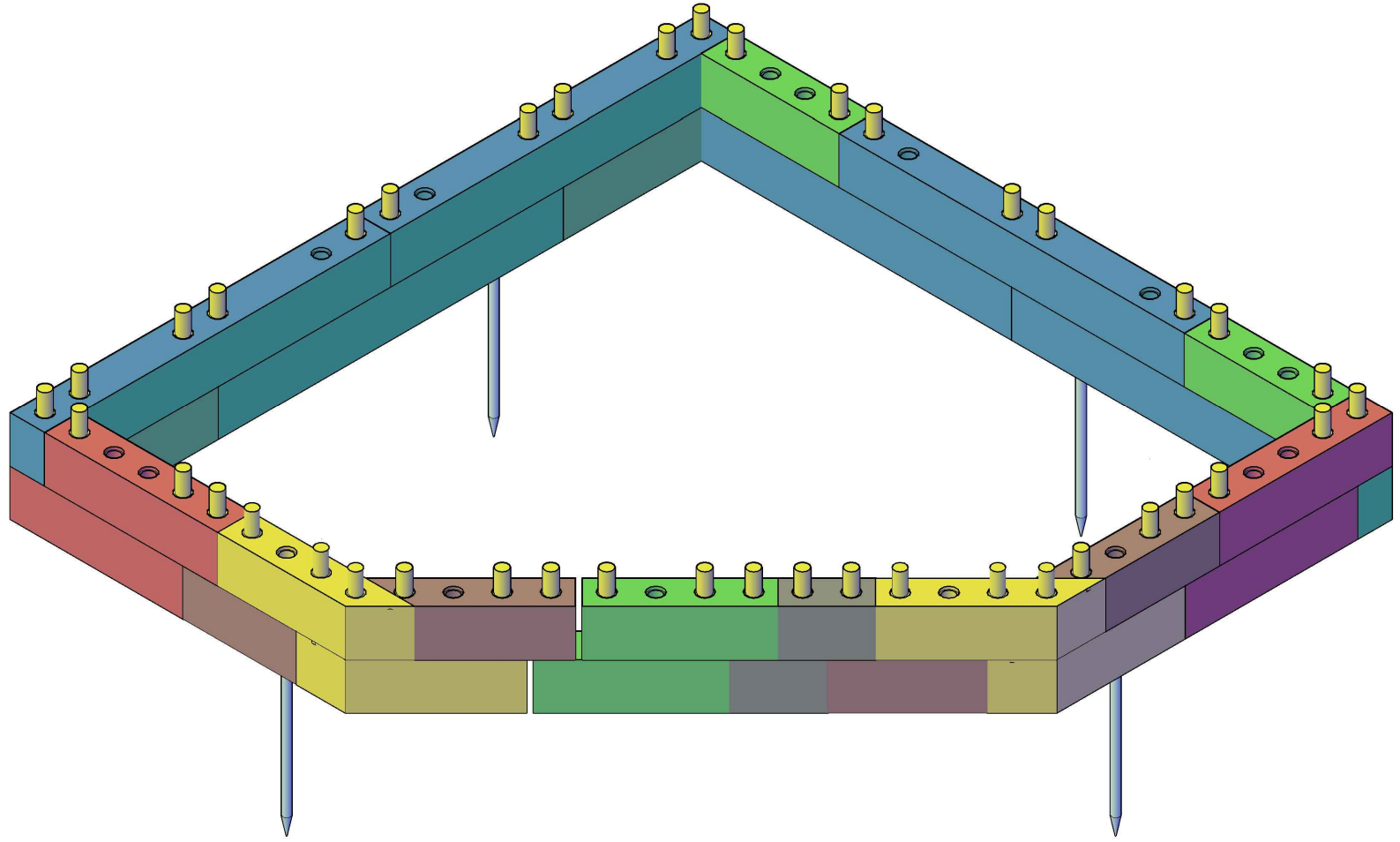
DRAWING TITLE

DESIGN VERSION

1.DWGMX----MX----M

LAYER1

WOOD BlocX



CUSTOMER NAME

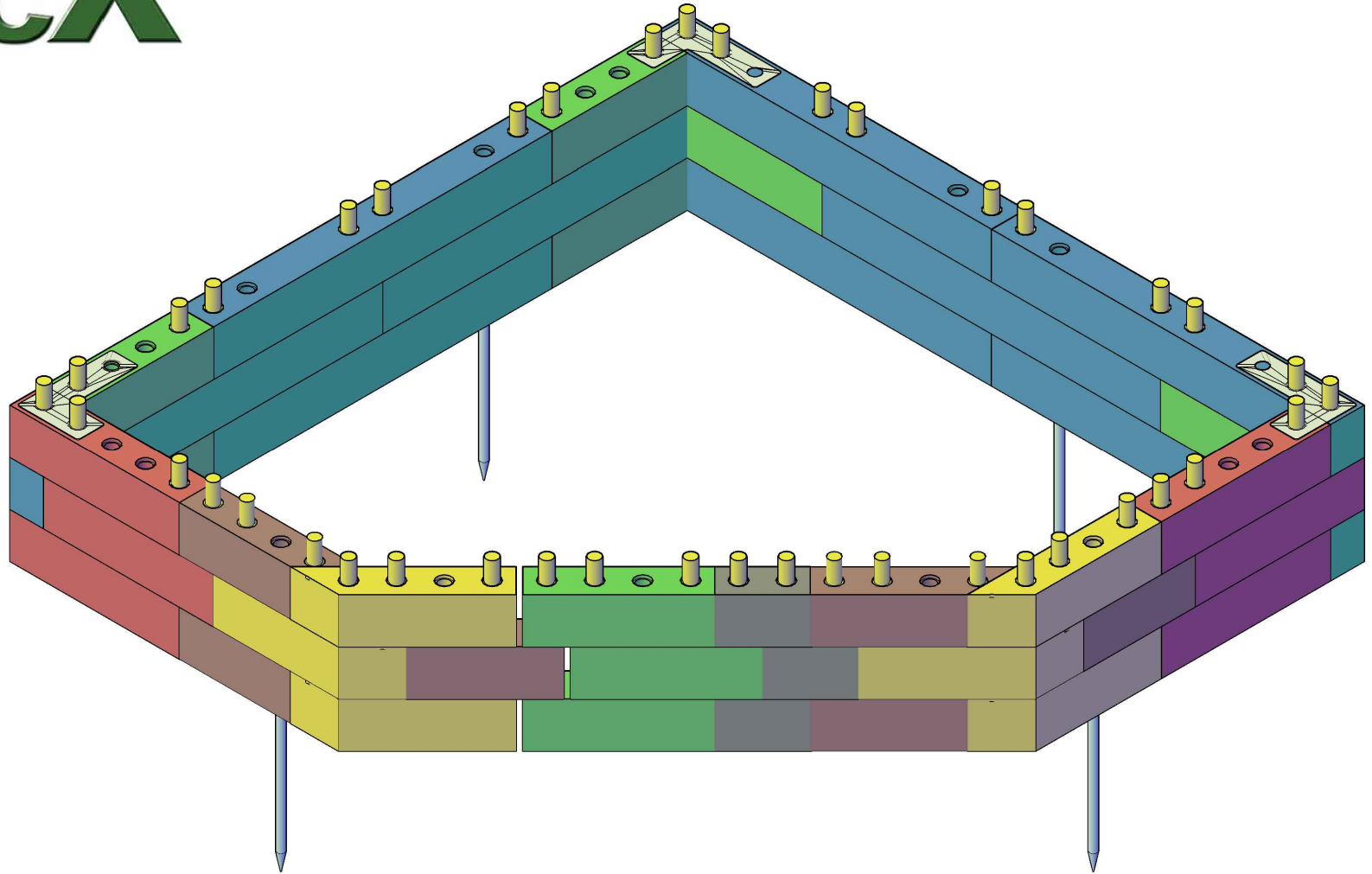
1.DWGMX----MX----M

DRAWING TITLE

LAYER2

DESIGN VERSION

WOOD BlocX



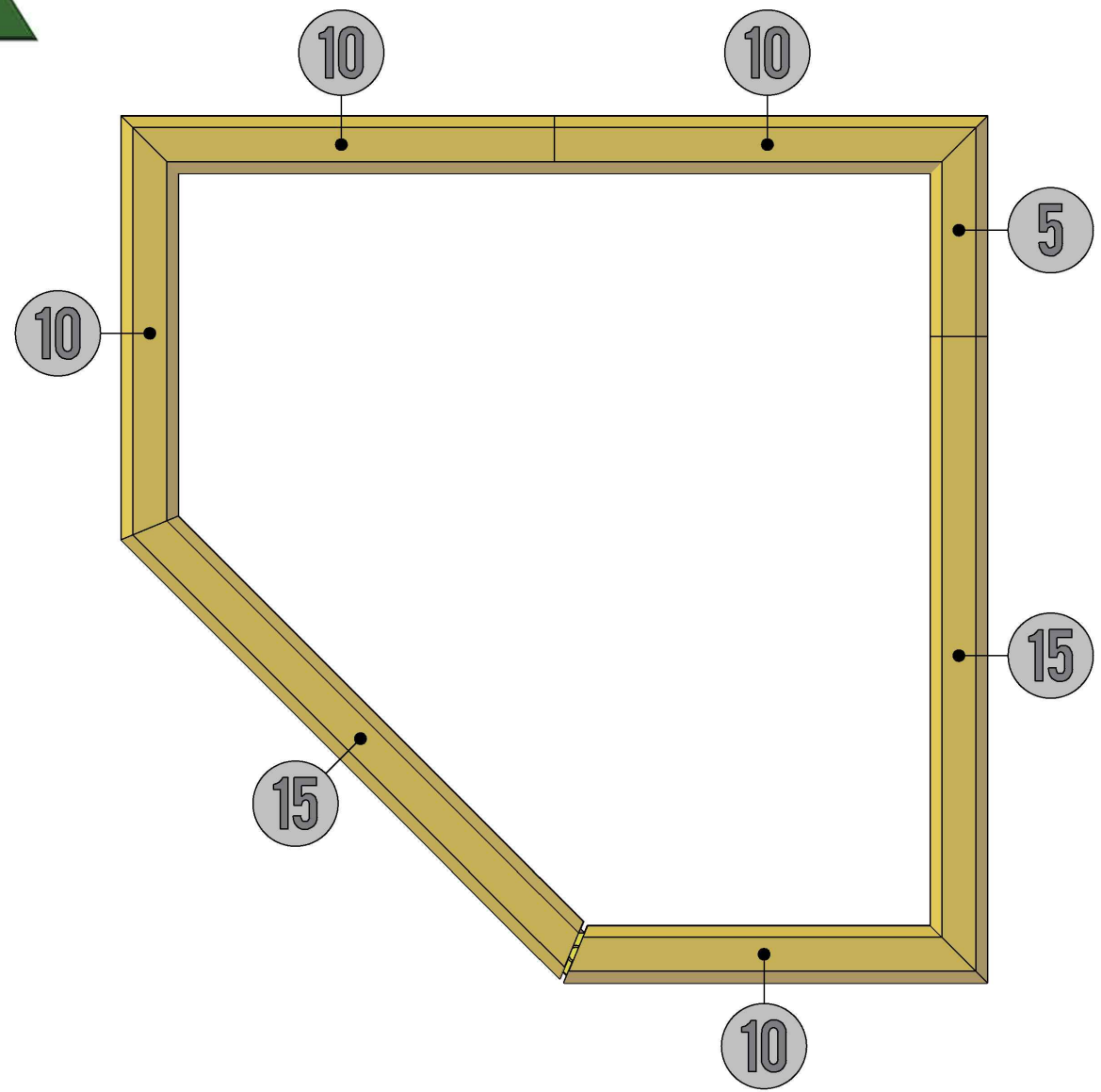
CUSTOMER NAME

DRAWING TITLE

DESIGN VERSION

1.DWGMX----MX----M

LAYER 3



CUSTOMER NAME

DRAWING TITLE

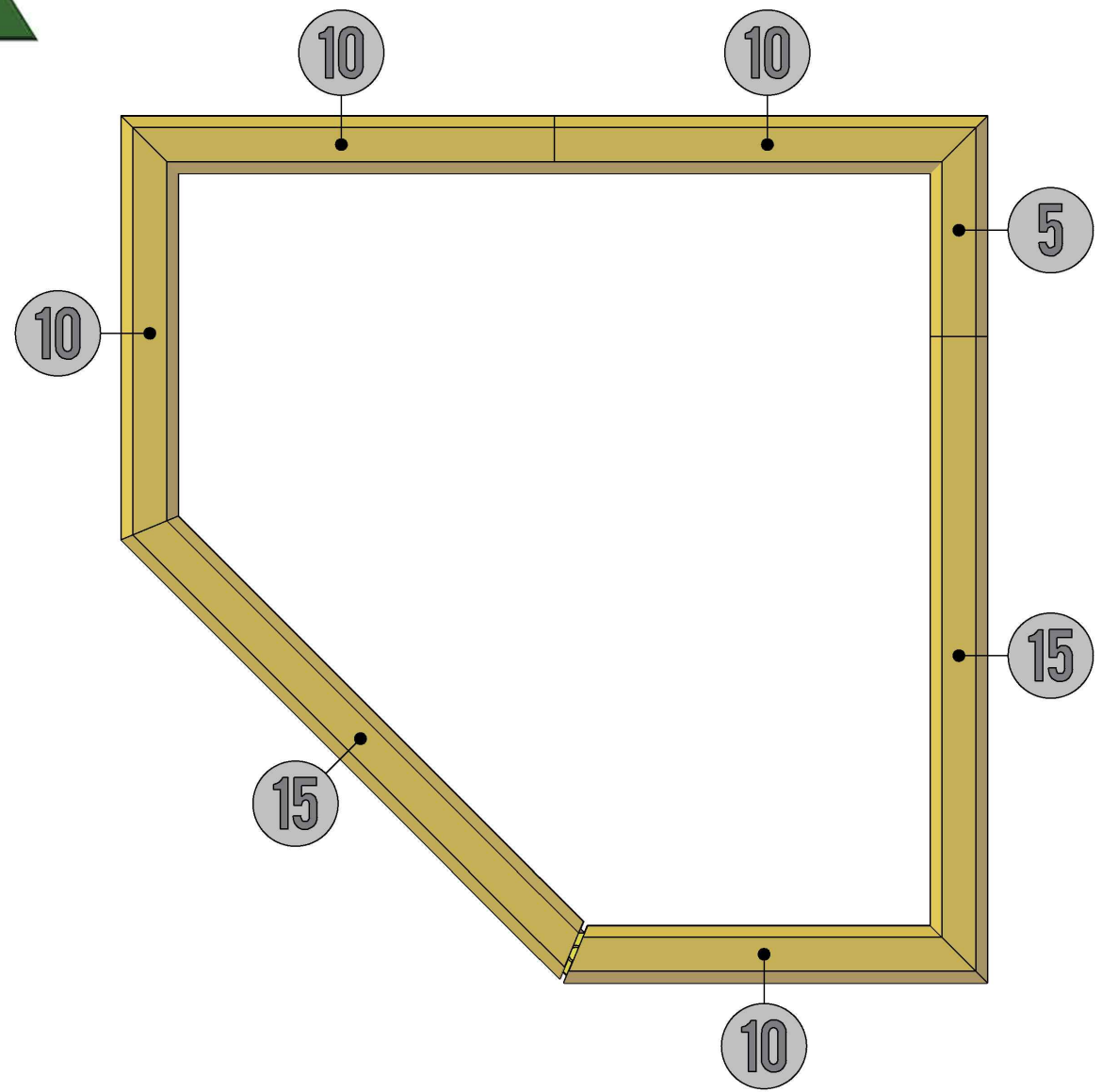
DESIGN VERSION

*NUMBERS REPRESENT NUMBER OF HOLES IN CAPPING

1.DWGMX----MX----M

CAPPINGPLAN

WOOD BlocX



CUSTOMER NAME

DRAWING TITLE

DESIGN VERSION

*NUMBERS REPRESENT NUMBER OF HOLES IN CAPPING

1.DWGMX----MX----M

CAPPINGPLAN