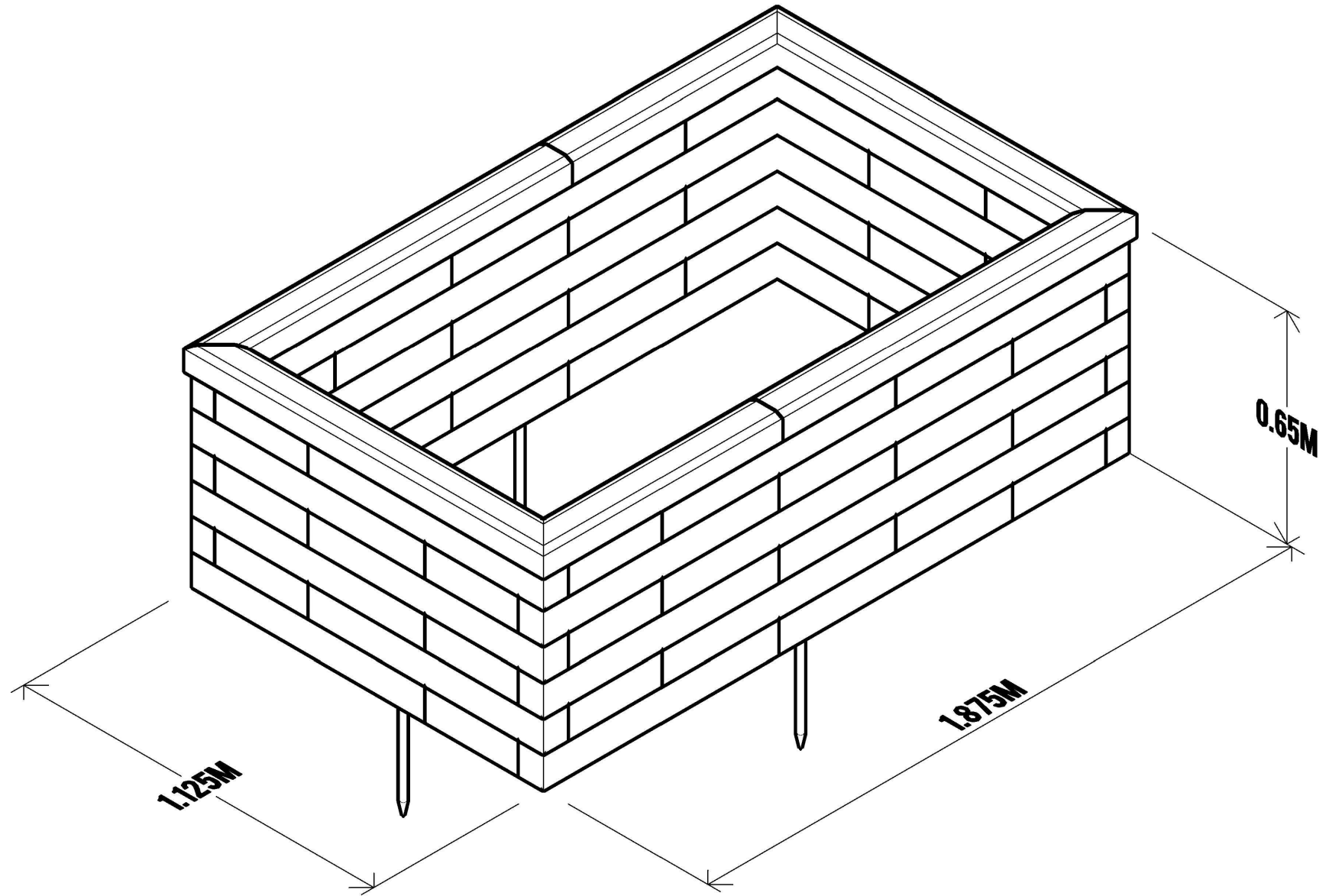


WOOD BlocX



CUSTOMER NAME

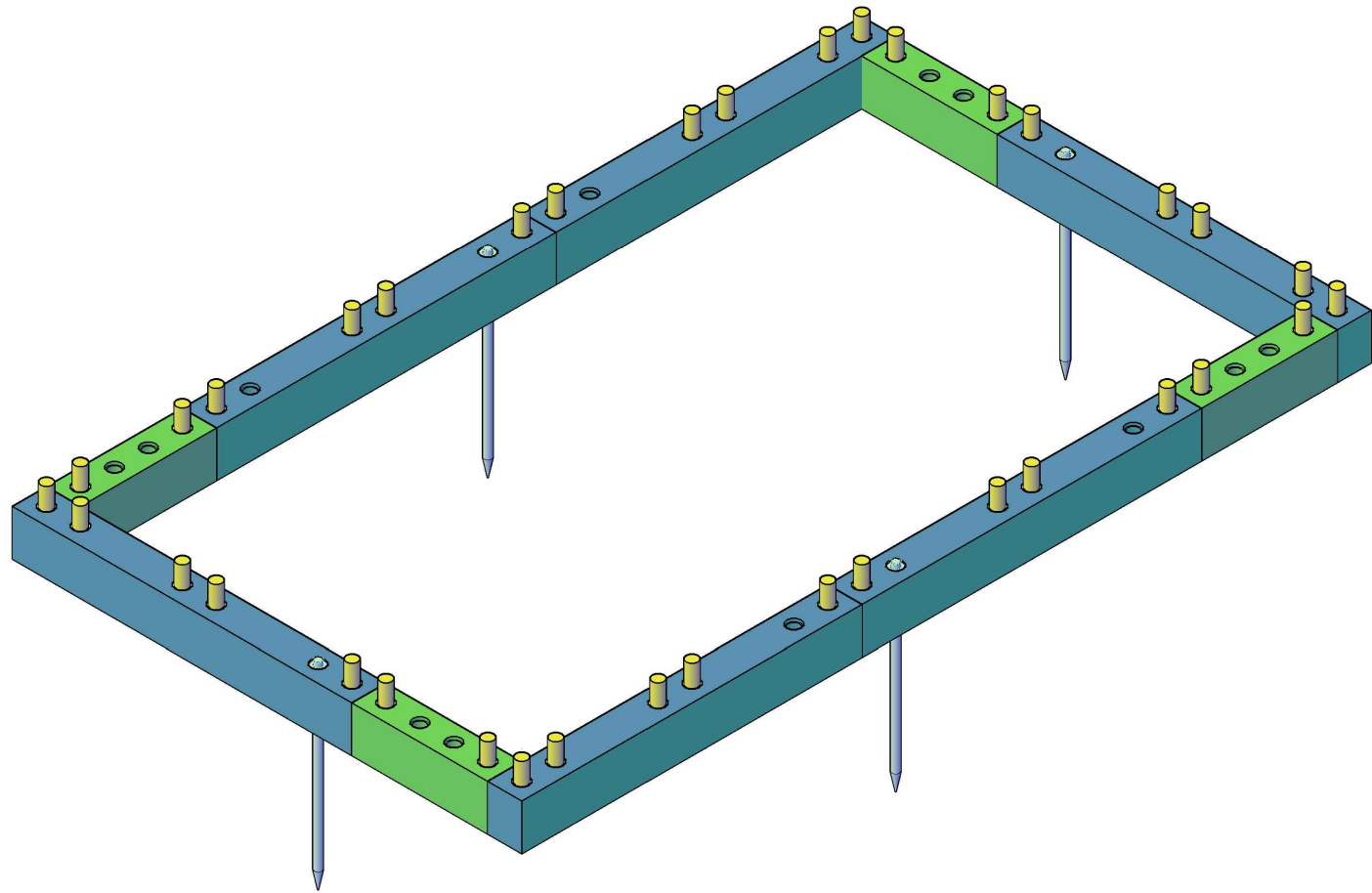
016.DMX----MX----M

DRAWING TITLE

COVER 3D

DESIGN VERSION

WOOD BlocX



CUSTOMER NAME

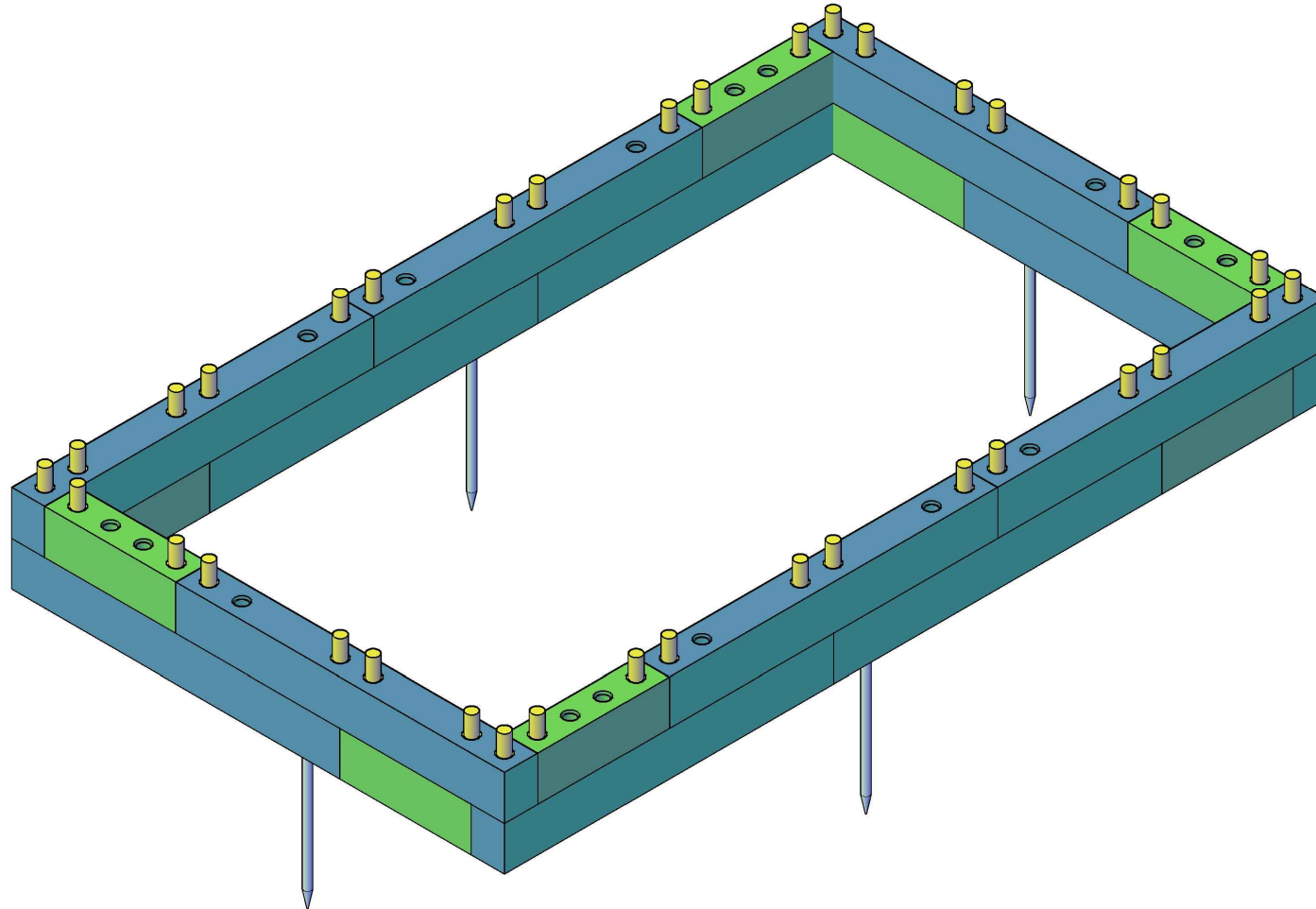
016.DMX----MX----M

DRAWING TITLE

LAYER1

DESIGN VERSION

WOOD BlocX



CUSTOMER NAME

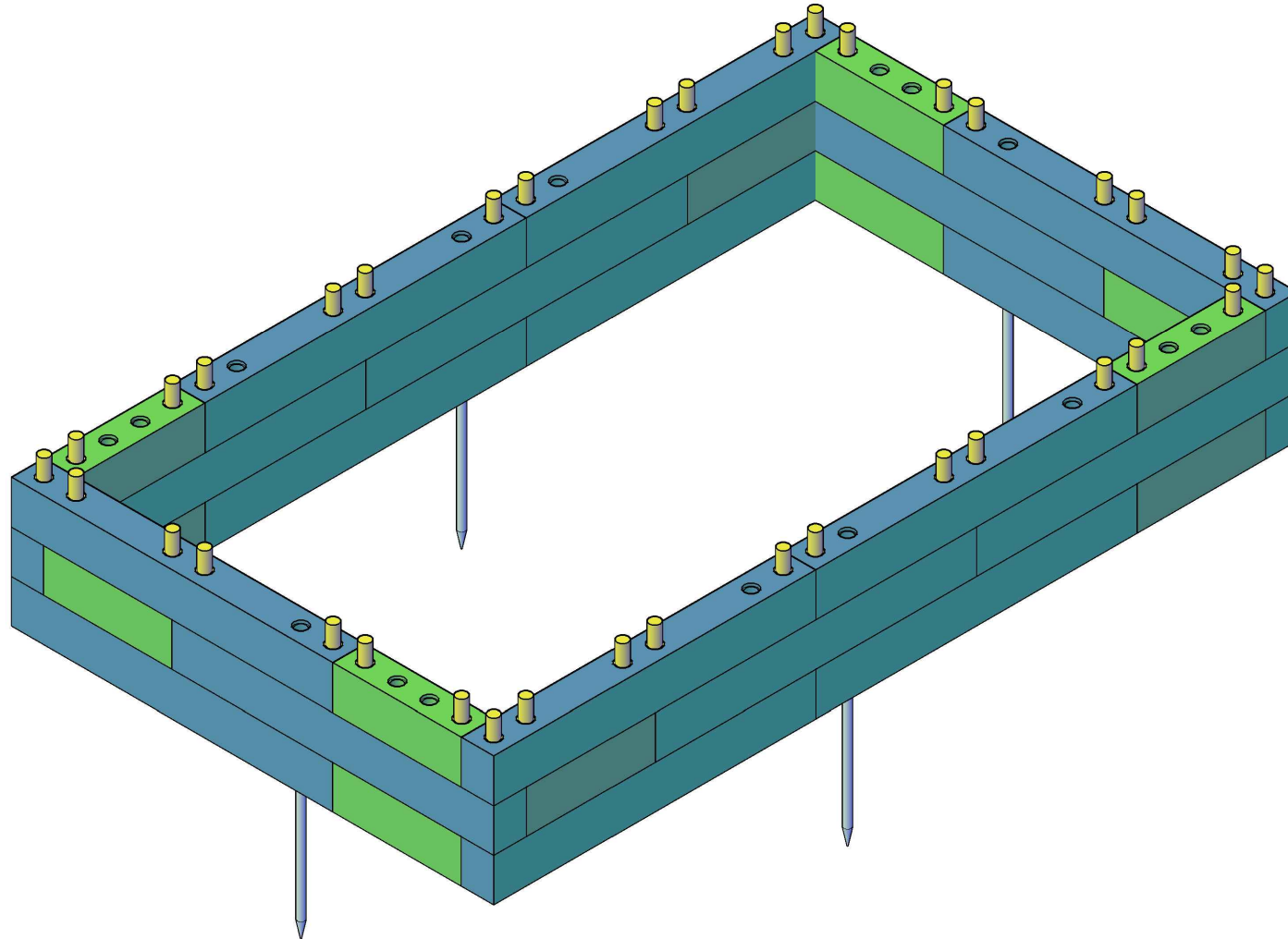
DRAWING TITLE

DESIGN VERSION

016.DMX----MX----M

LAYER 2

WOOD BlocX



CUSTOMER NAME

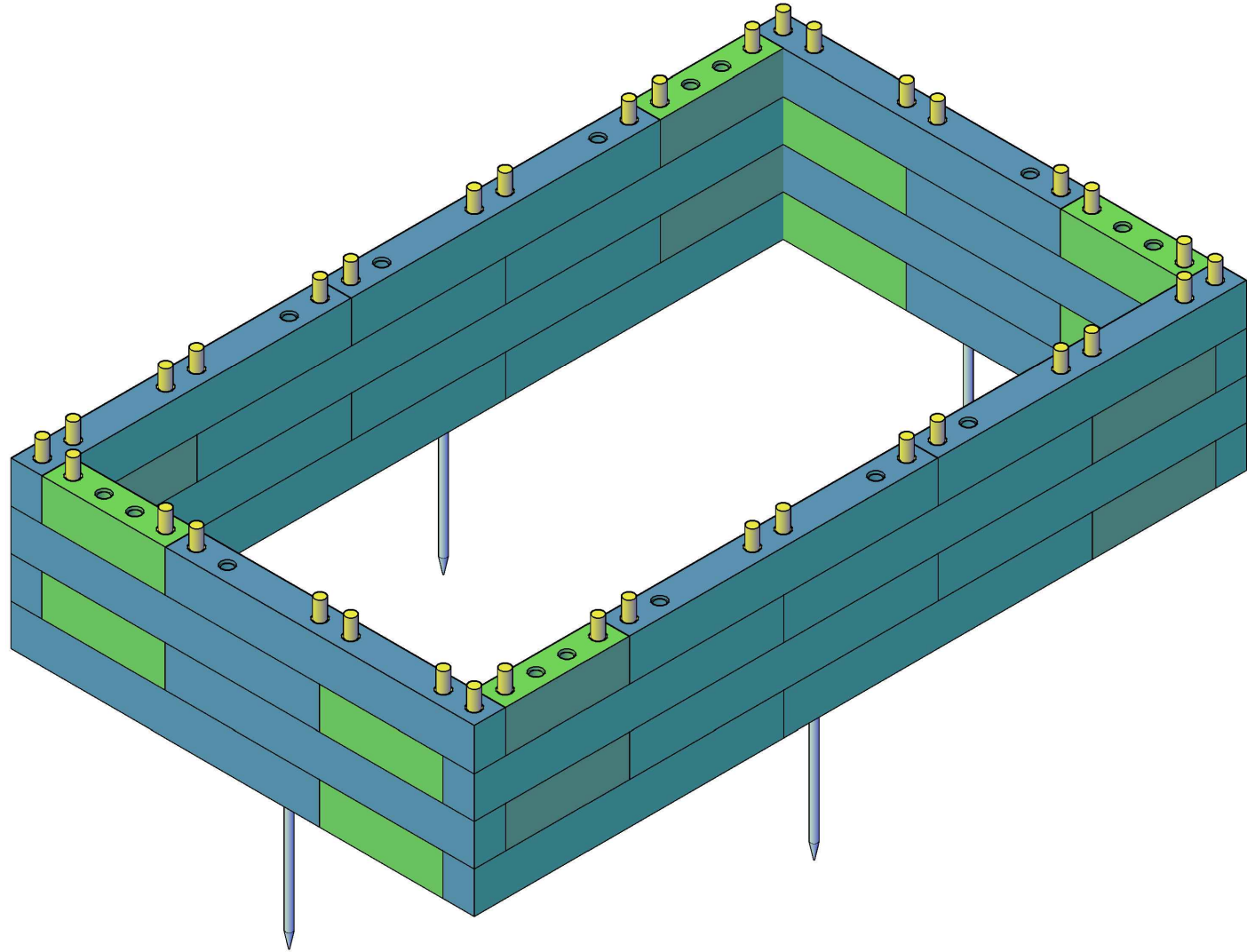
DRAWING TITLE

DESIGN VERSION

016.DMX----MX----M

LAYER 3

WOOD BlocX



CUSTOMER NAME

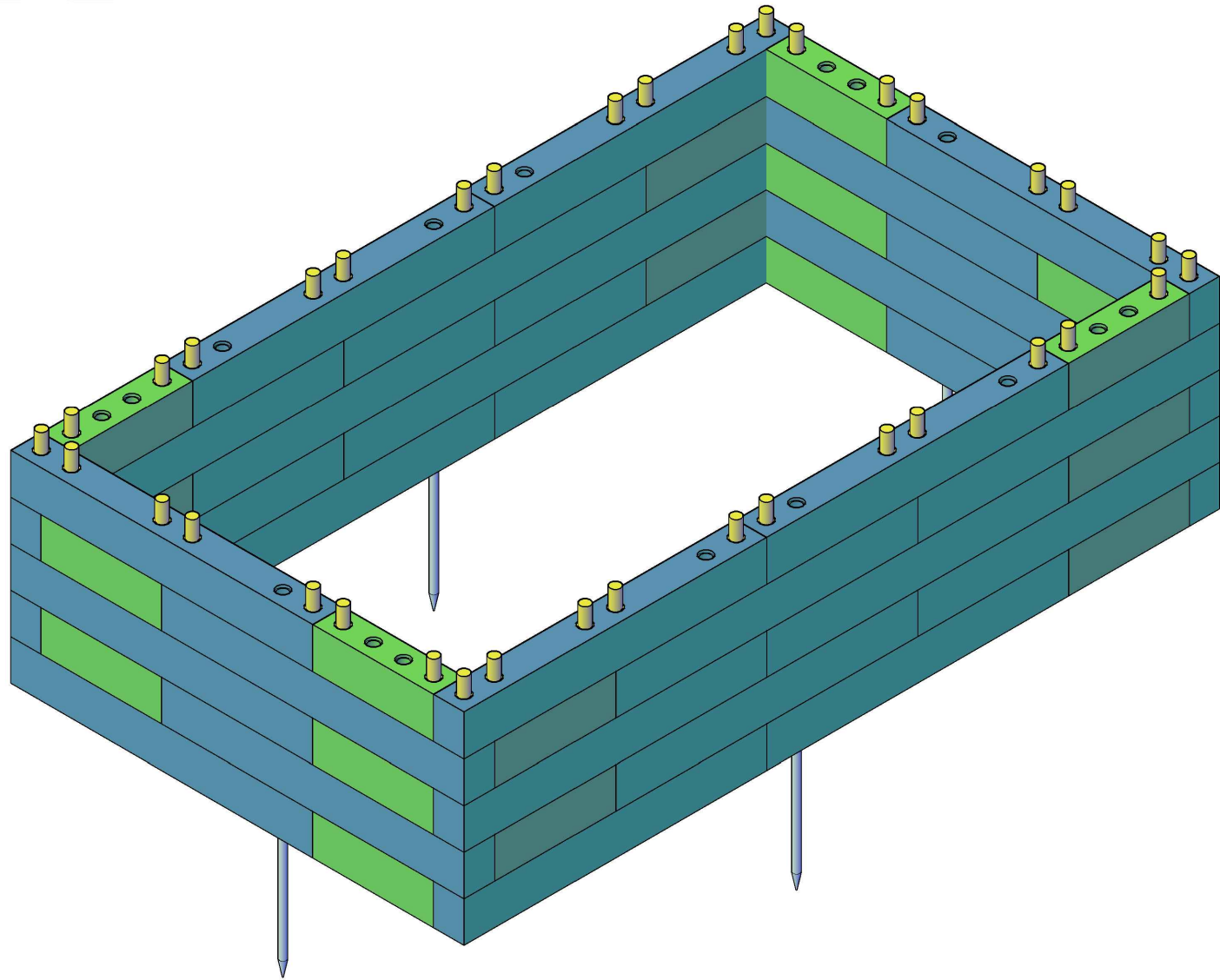
DRAWING TITLE

DESIGN VERSION

016.DMX----MX----M

LAYER 4

WOOD BlocX



CUSTOMER NAME

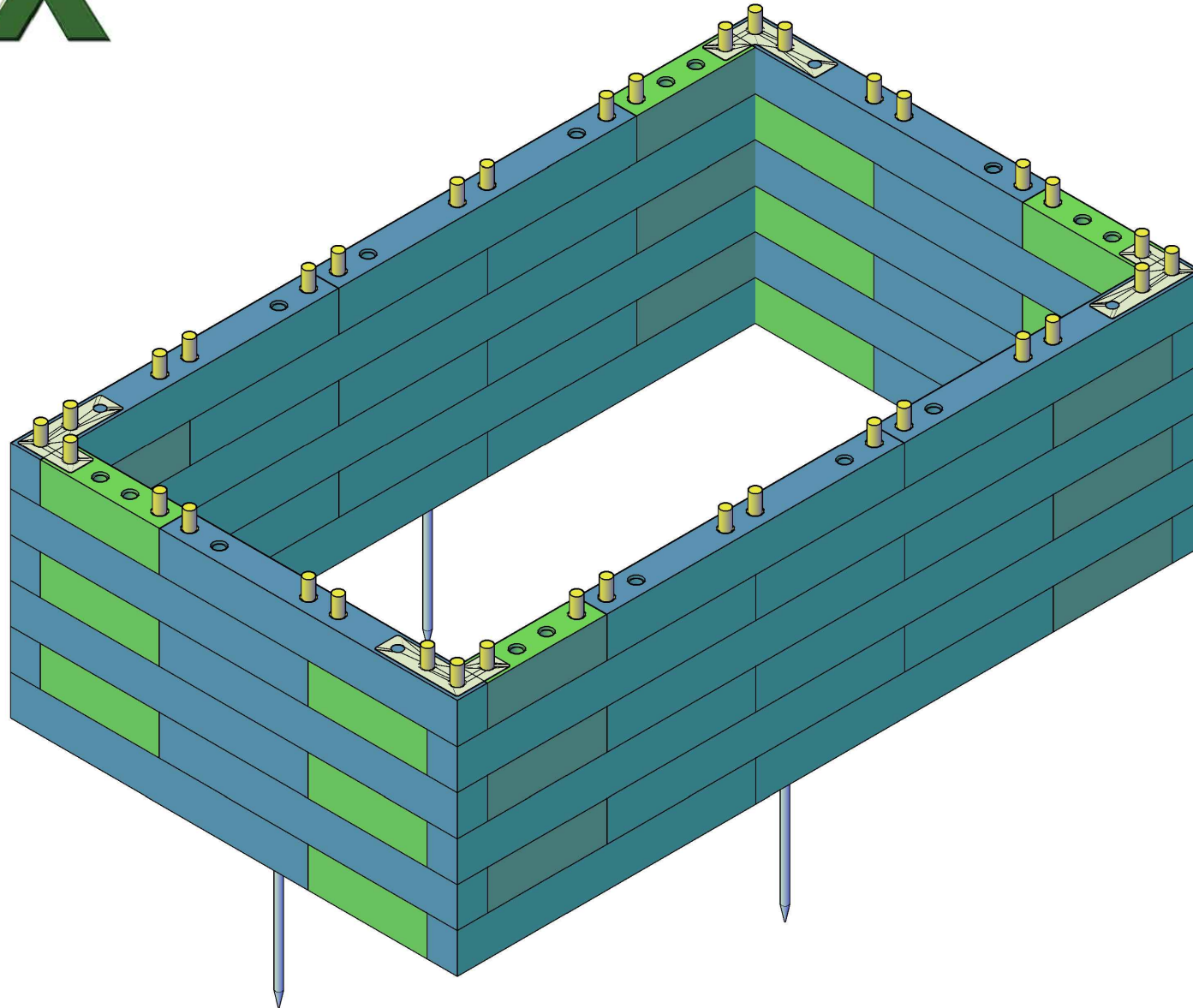
016.DMX----MX----M

DRAWING TITLE

LAYER5

DESIGN VERSION

WOOD BlocX



CUSTOMER NAME

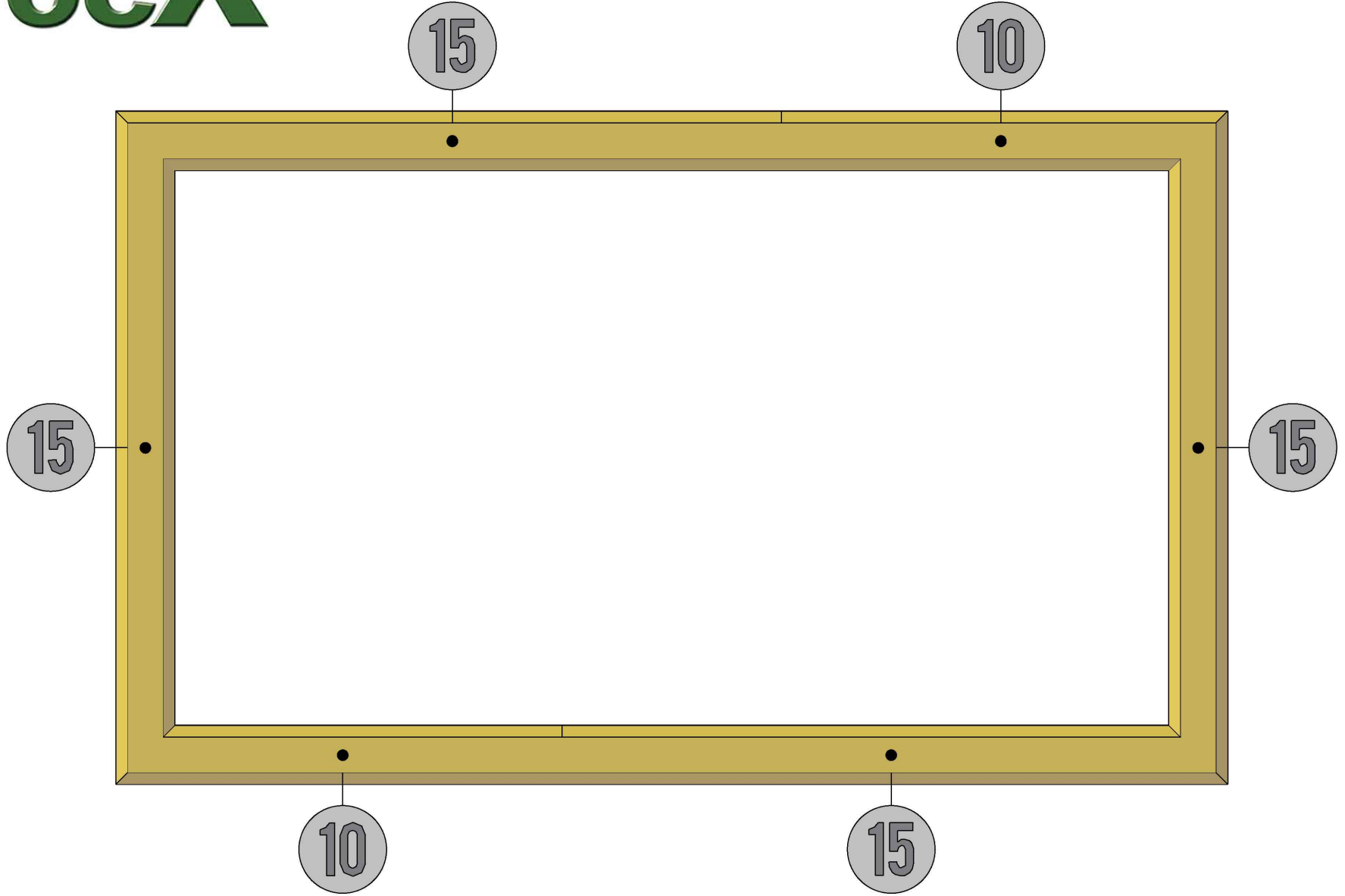
DRAWING TITLE

DESIGN VERSION

016.DMX----MX----M

LAYER 6

WOOD BlocX



CUSTOMER NAME

DRAWING TITLE

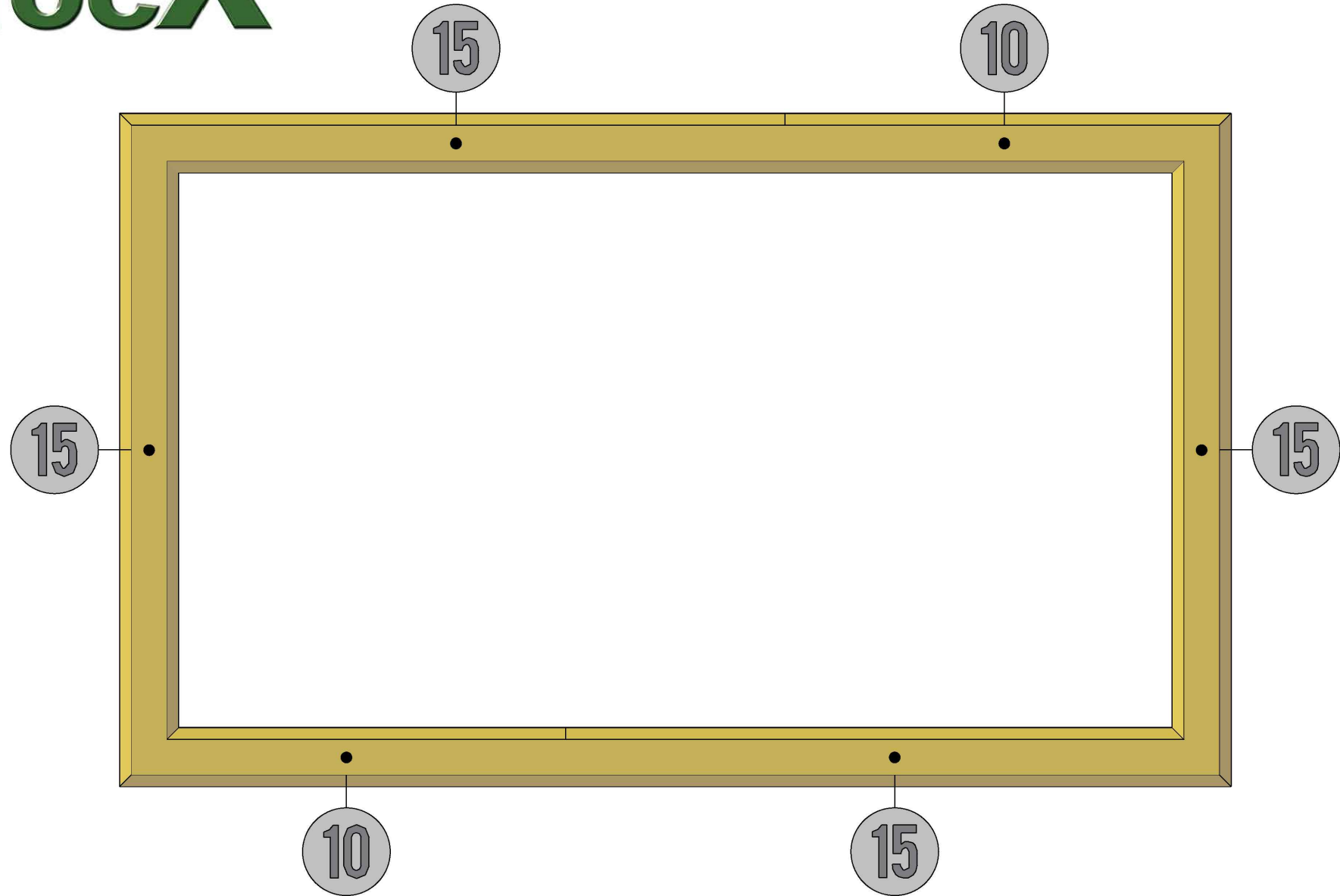
DESIGN VERSION

*NUMBERS REPRESENT NUMBER OF HOLES IN CAPPING

016.DMX----MX----M

CAPPING PLAN

WOOD BlocX



CUSTOMER NAME

DRAWING TITLE

DESIGN VERSION

*NUMBERS REPRESENT NUMBER OF HOLES IN CAPPING

016.DMX----MX----M

CAPPING PLAN