

CUSTOMER NAME

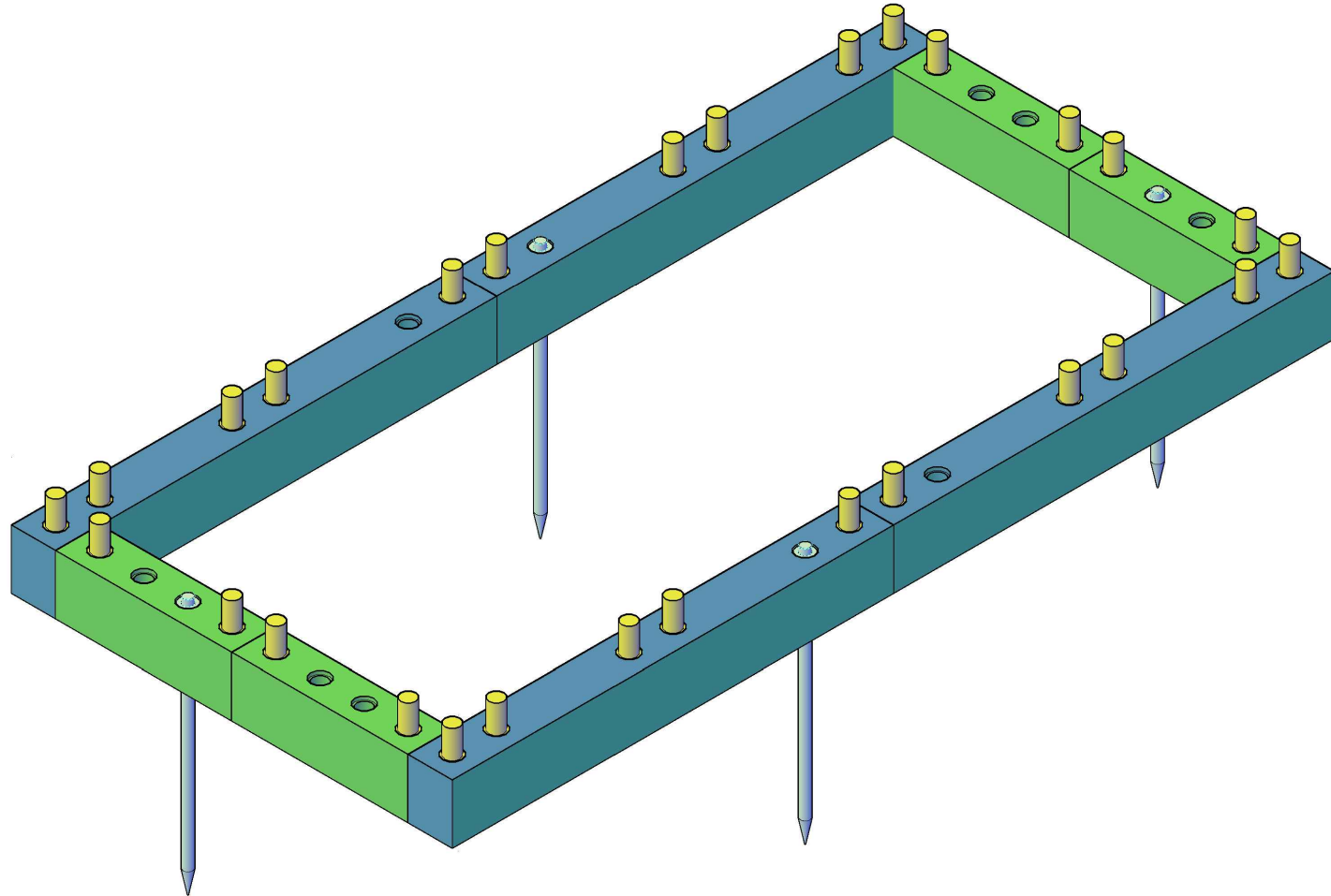
DRAWING TITLE

DESIGN VERSION

6.DWGMX----MX----M

COVER 3D

WOOD BlocX



CUSTOMER NAME

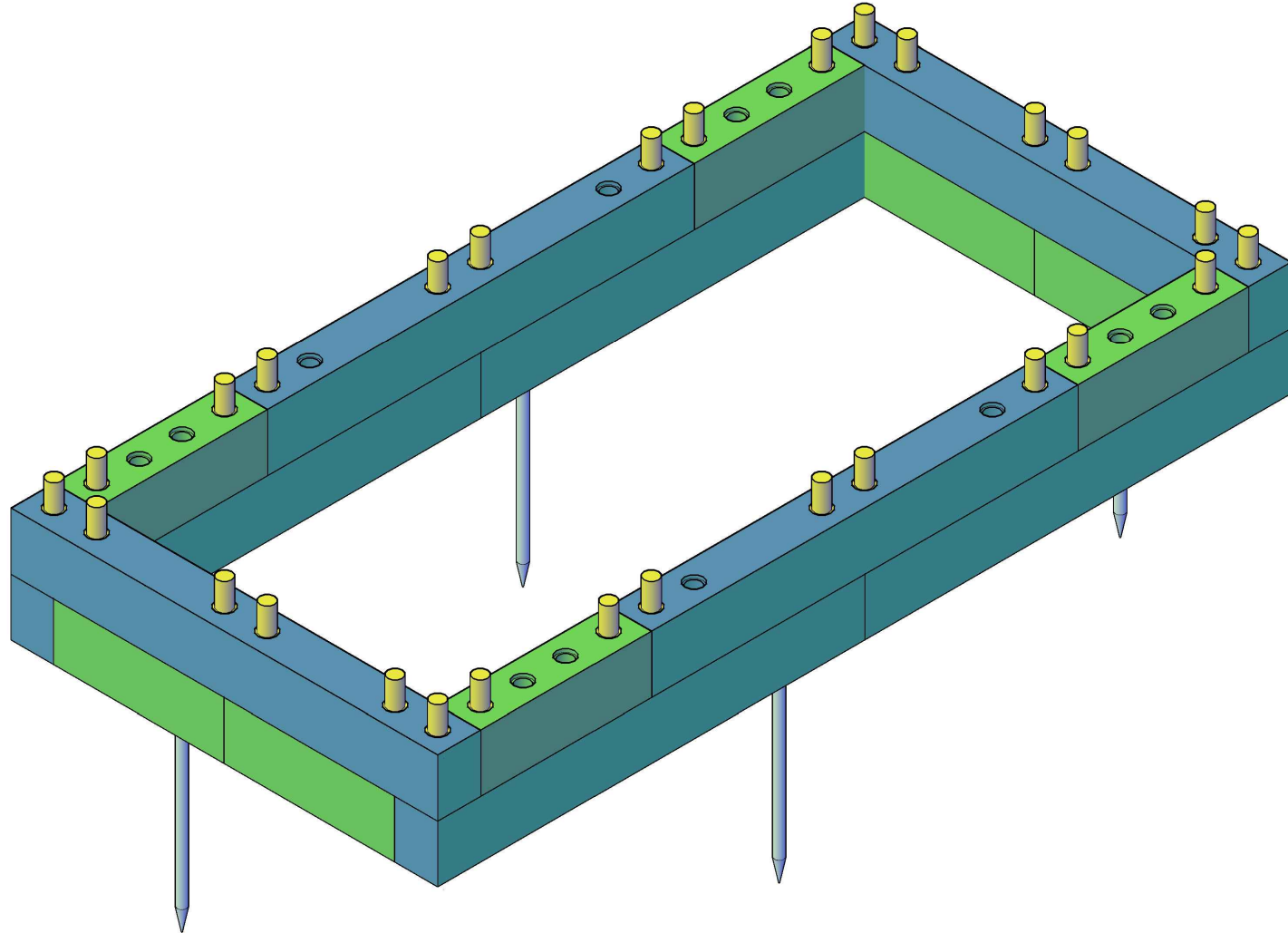
DRAWING TITLE

DESIGN VERSION

6.DWGMX----MX----M

LAYER1

WOOD BlocX



CUSTOMER NAME

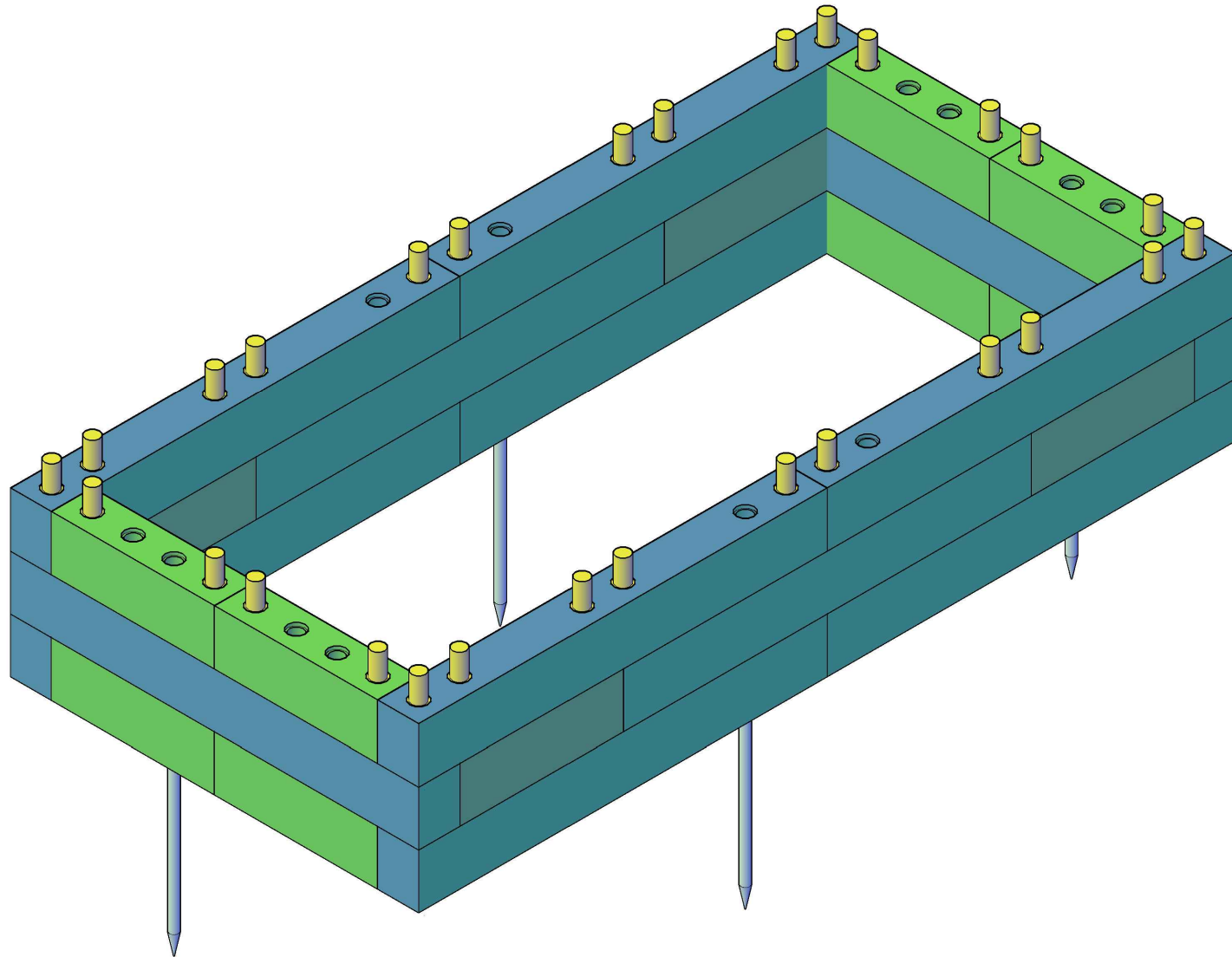
DRAWING TITLE

DESIGN VERSION

6.DWGMX----MX----M

LAYER2

WOOD BlocX



CUSTOMER NAME

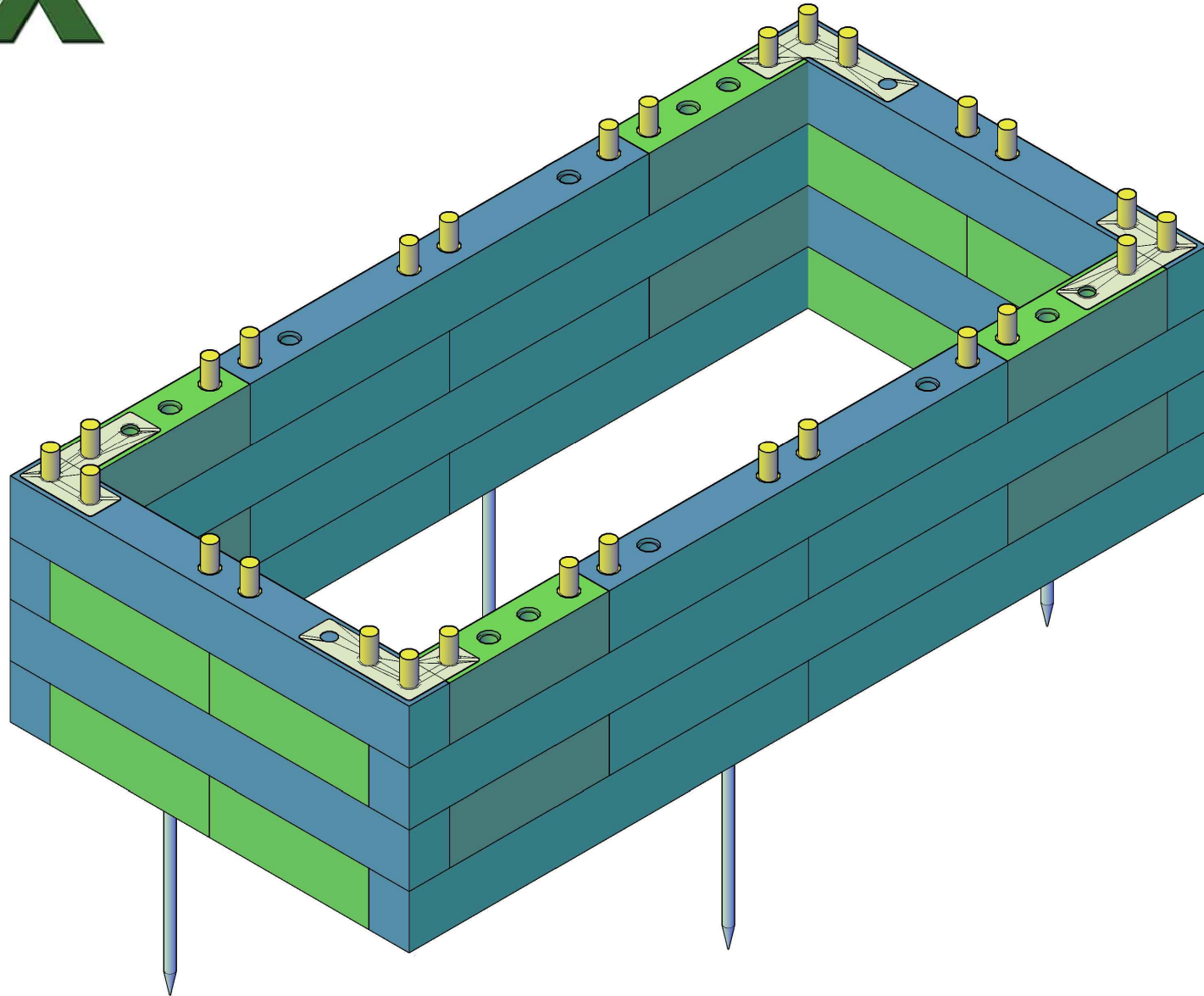
DRAWING TITLE

DESIGN VERSION

6.DWGMX----MX----M

LAYER3

WOOD BlocX



CUSTOMER NAME

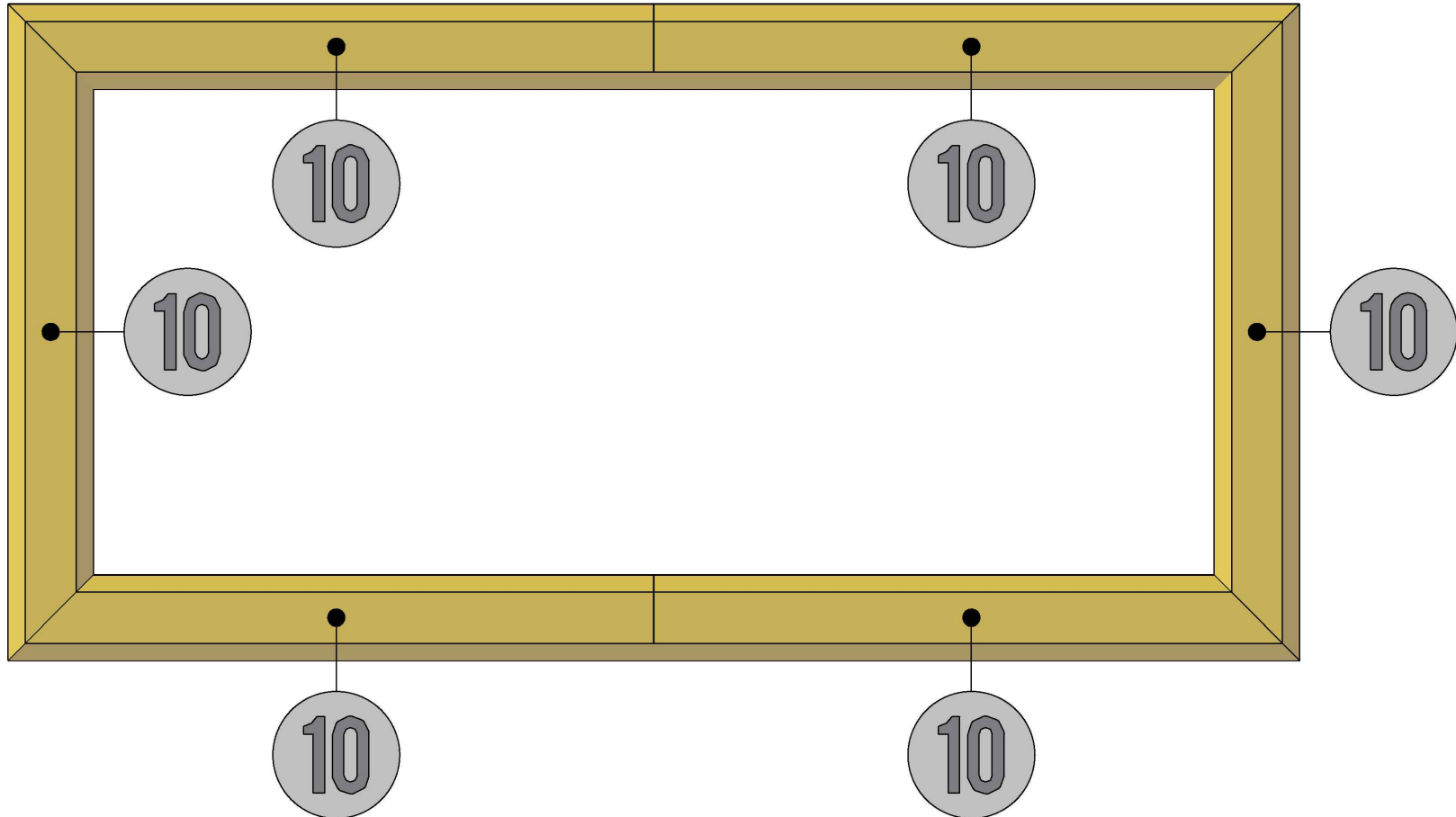
DRAWING TITLE

DESIGN VERSION

6.DWGMX----MX----M

LAYER 4

WOOD BlocX



CUSTOMER NAME

DRAWING TITLE

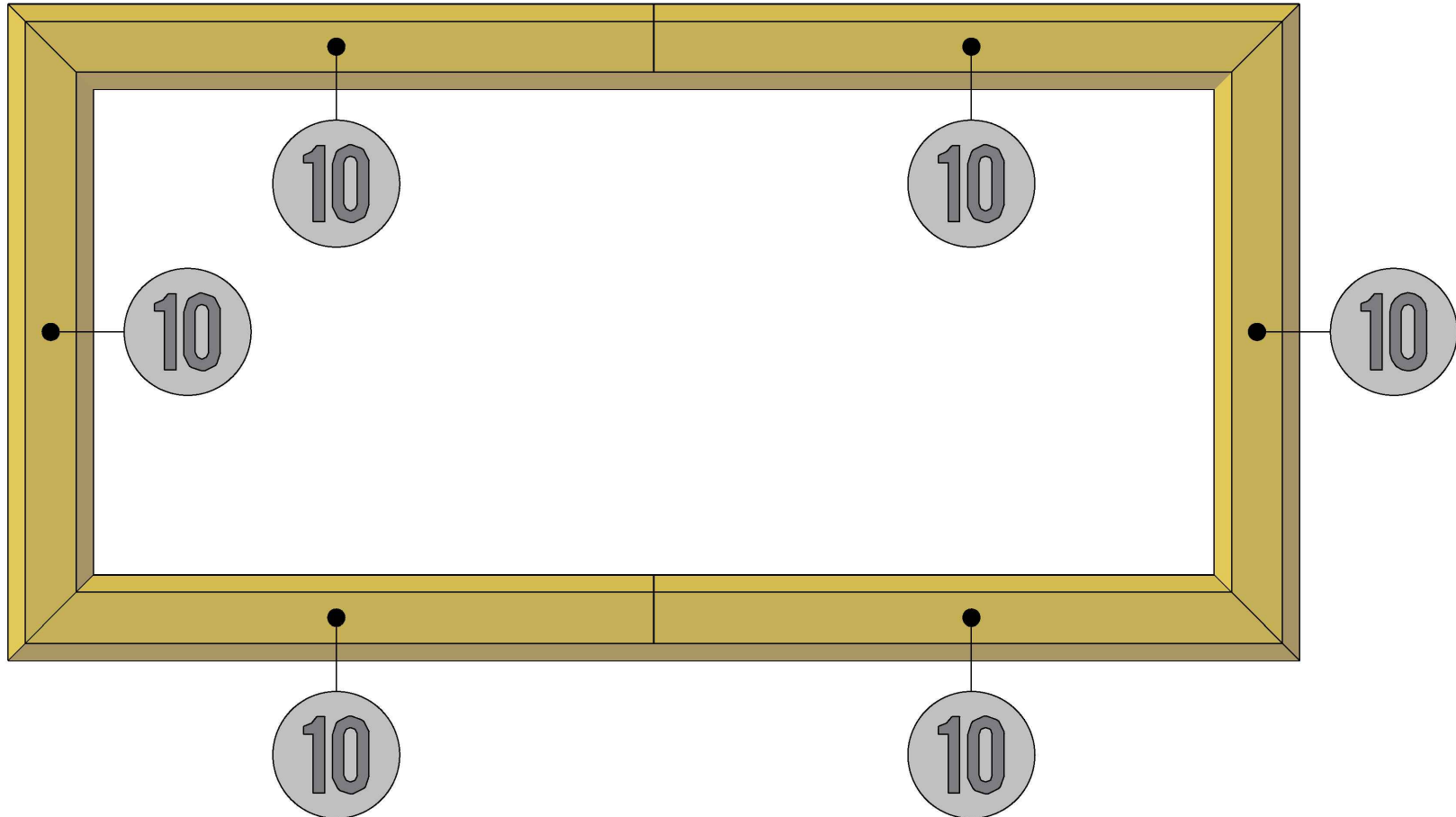
DESIGN VERSION

*NUMBERS REPRESENT NUMBER OF HOLES IN CAPPING

6.DWGMX----MX----M

CAPPINGPLAN

WOOD BlocX



CUSTOMER NAME

DRAWING TITLE

DESIGN VERSION

*NUMBERS REPRESENT NUMBER OF HOLES IN CAPPING

6.DWGMX----MX----M

CAPPINGPLAN