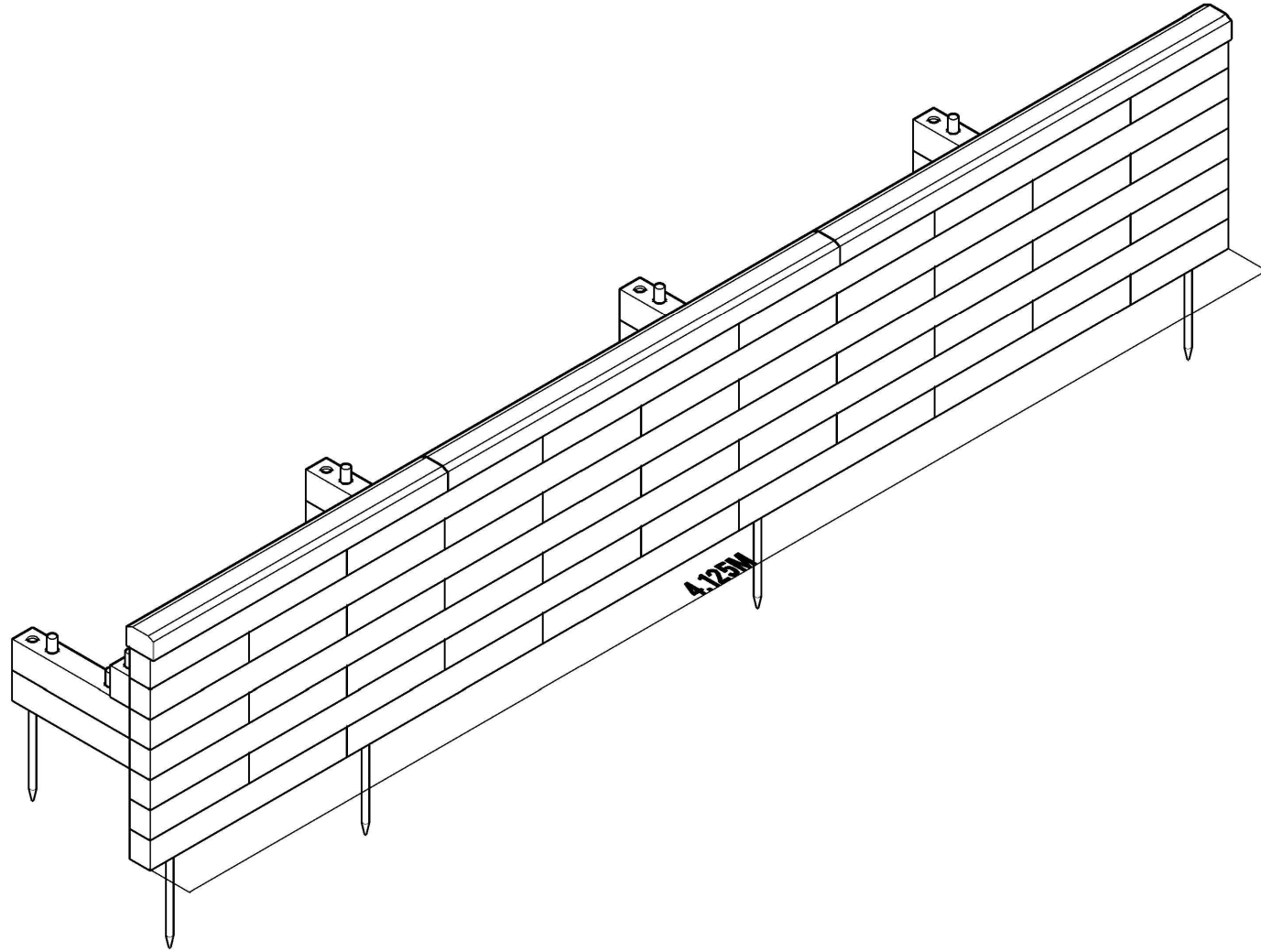


WOOD BlocX



CUSTOMER NAME

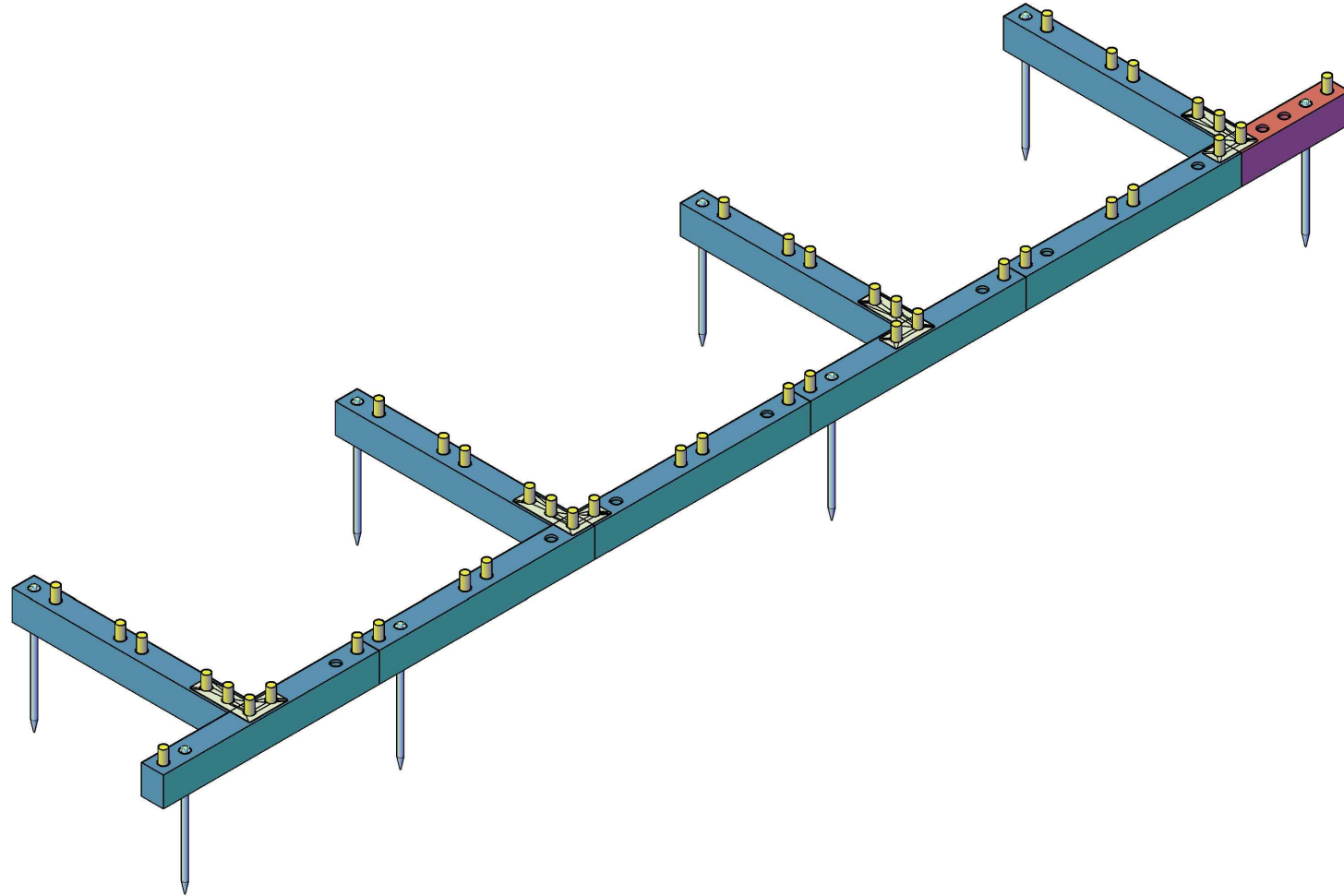
016.DMX----MX----M

DRAWING TITLE

COVER 3D

DESIGN VERSION

WOOD BlocX



CUSTOMER NAME

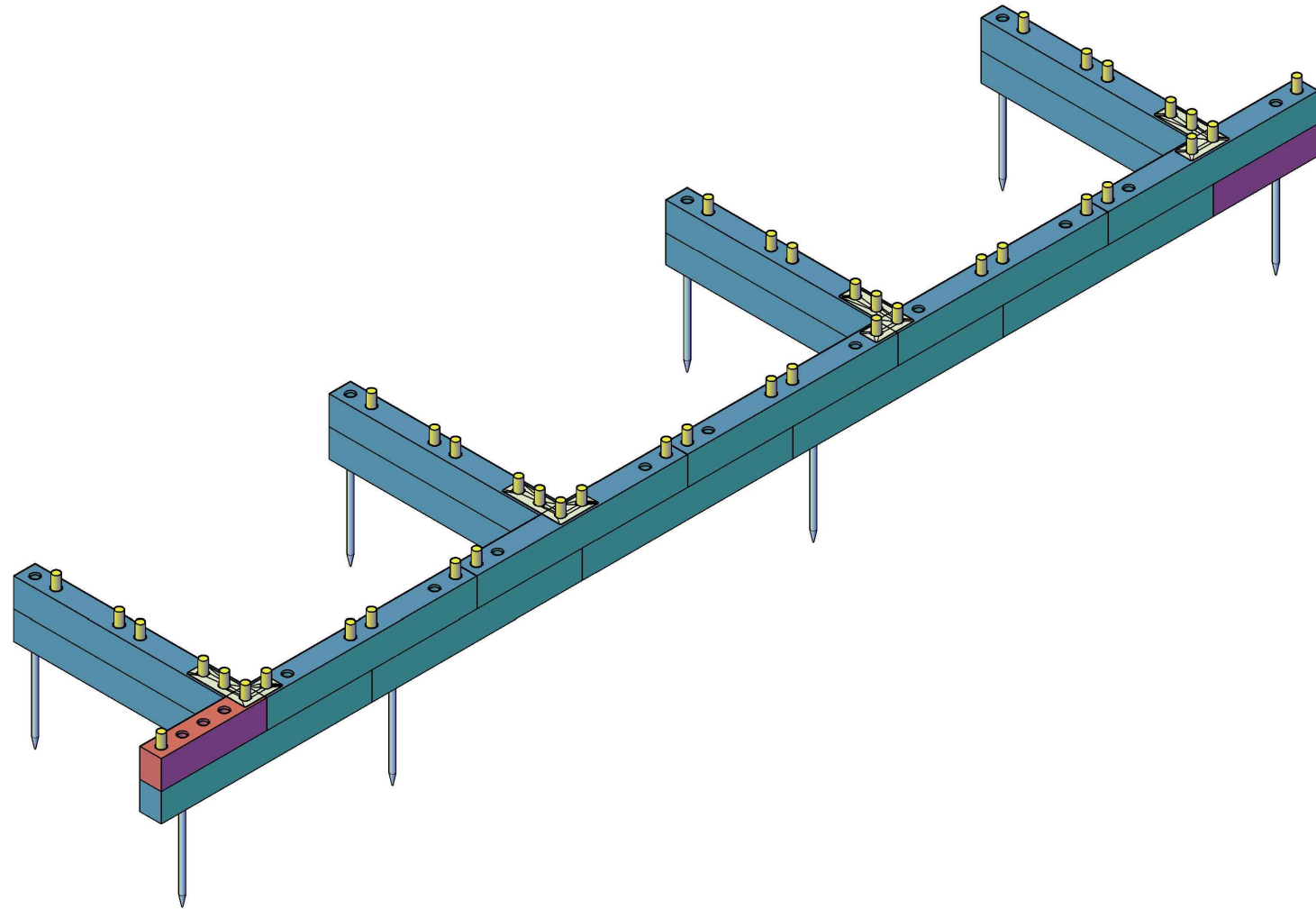
016.DMX----MX----M

DRAWING TITLE

LAYER 1

DESIGN VERSION

WOOD BlocX



CUSTOMER NAME

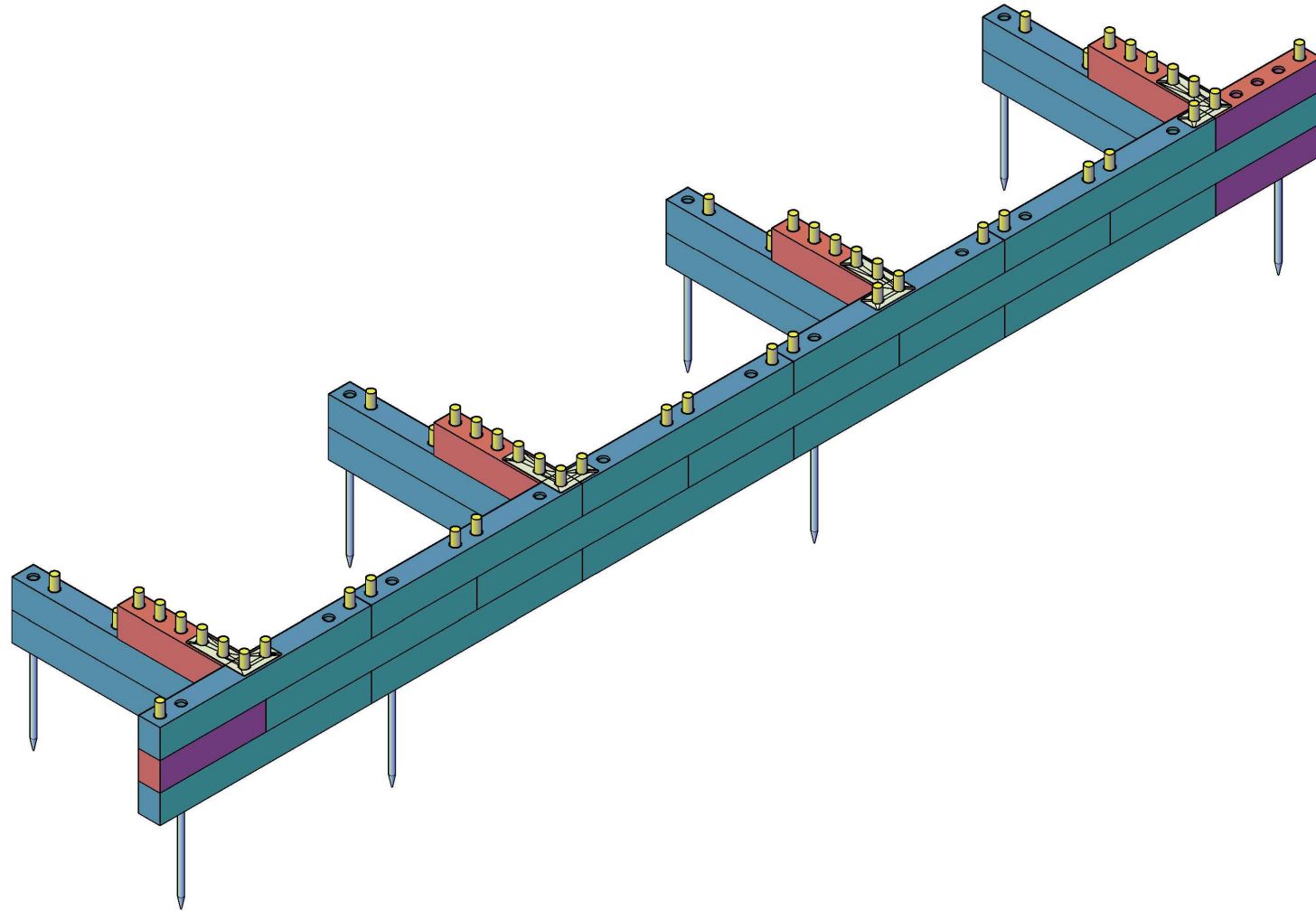
016.DMX----MX----M

DRAWING TITLE

LAYER2

DESIGN VERSION

WOOD BlocX



CUSTOMER NAME

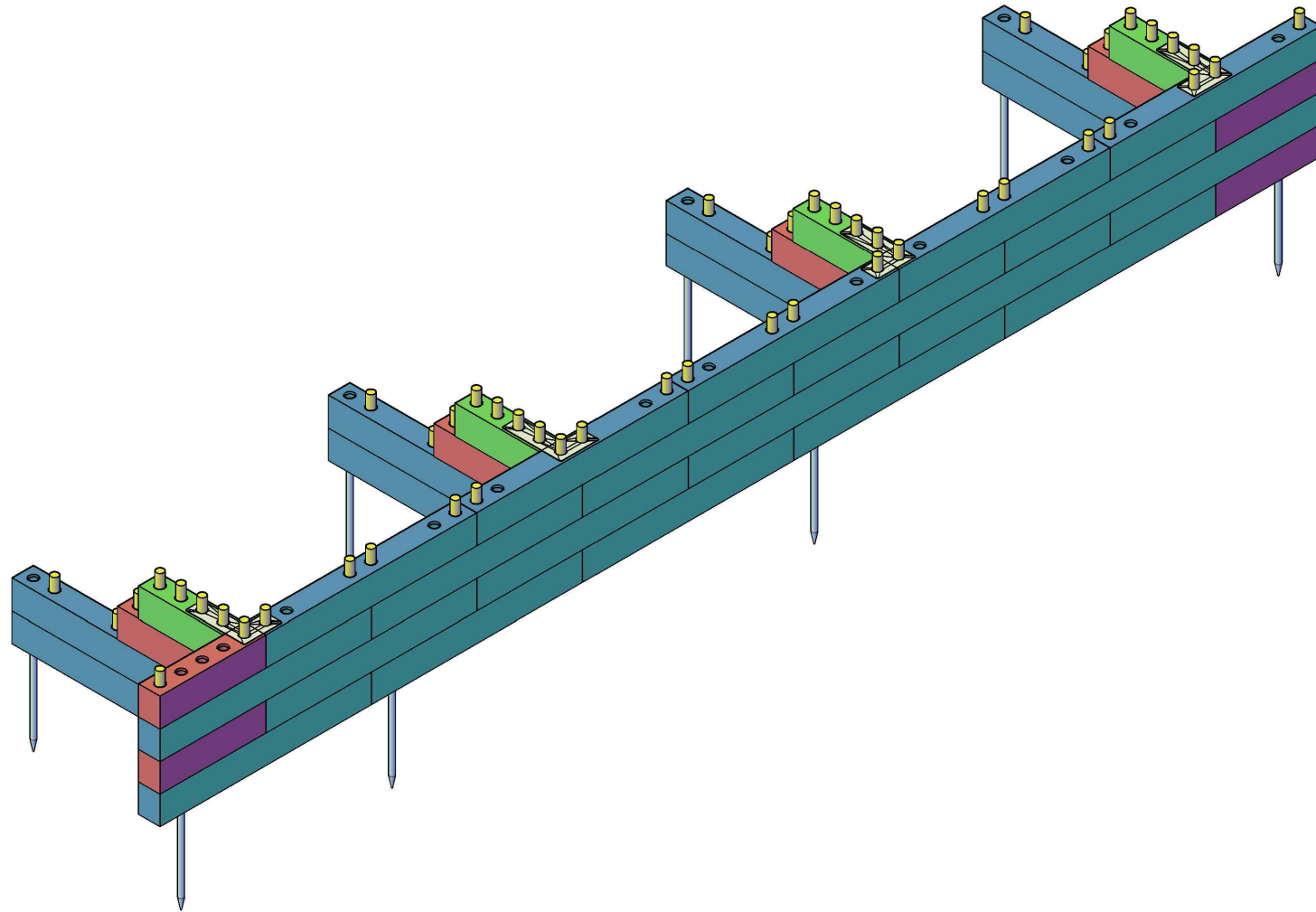
016.DMX----MX----M

DRAWING TITLE

LAYER 3

DESIGN VERSION

WOOD BlocX



CUSTOMER NAME

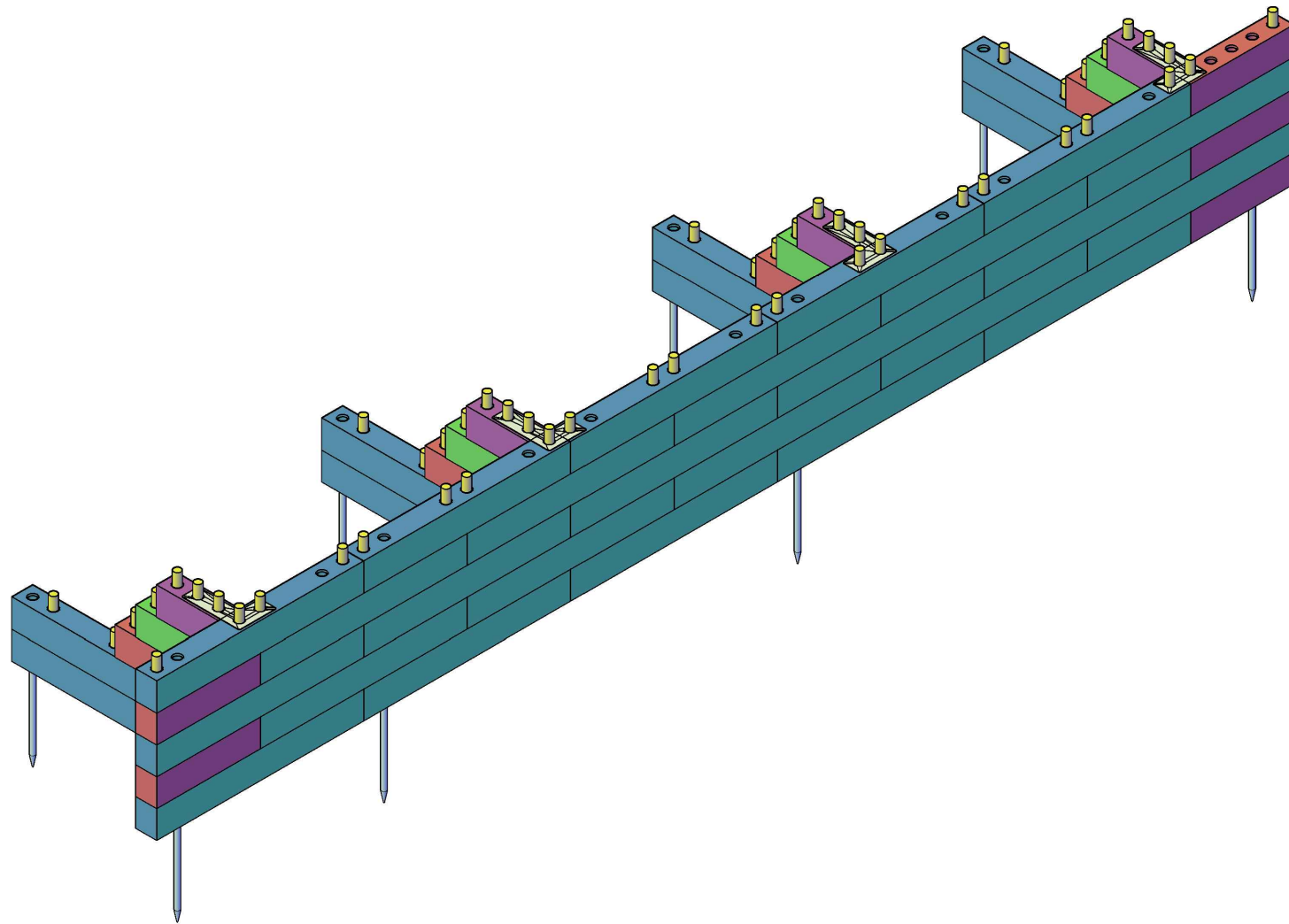
DRAWING TITLE

DESIGN VERSION

016.DMX----MX----M

LAYER 4

WOOD BlocX



CUSTOMER NAME

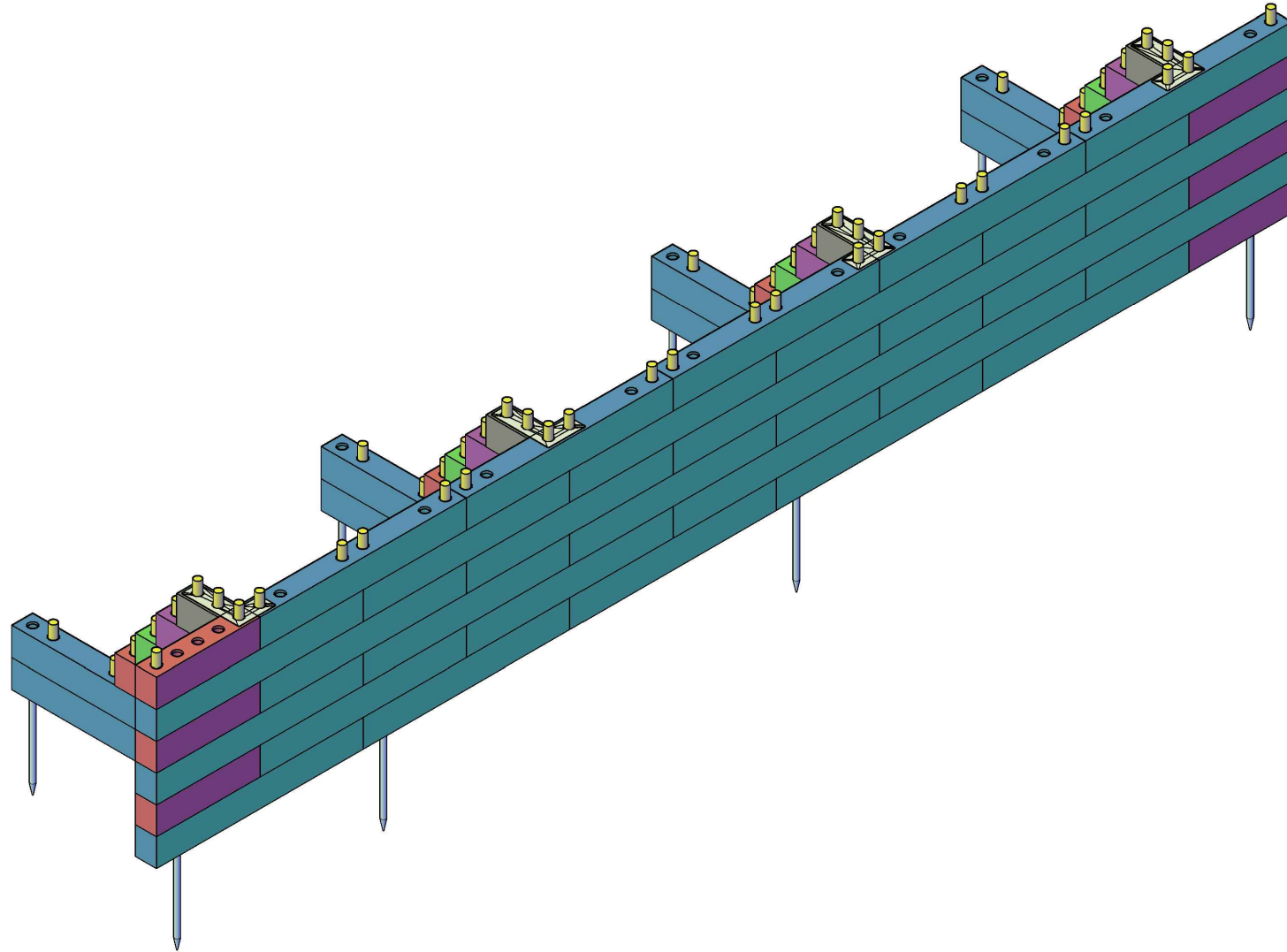
016.DMX----MX----M

DRAWING TITLE

LAYER5

DESIGN VERSION

WOOD BlocX



CUSTOMER NAME

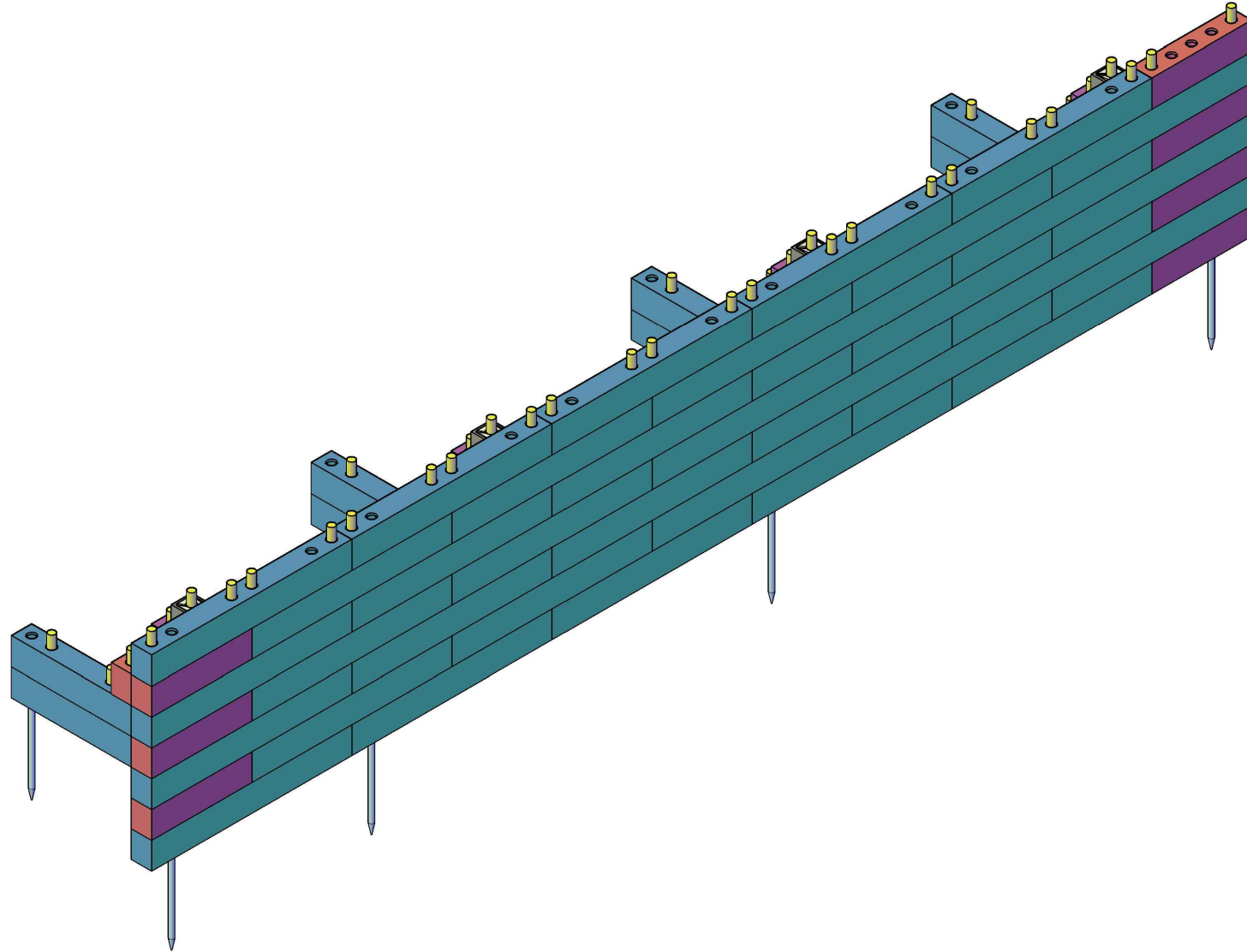
016.DMX----MX----M

DRAWING TITLE

LAYER 6

DESIGN VERSION

WOOD BlocX



CUSTOMER NAME

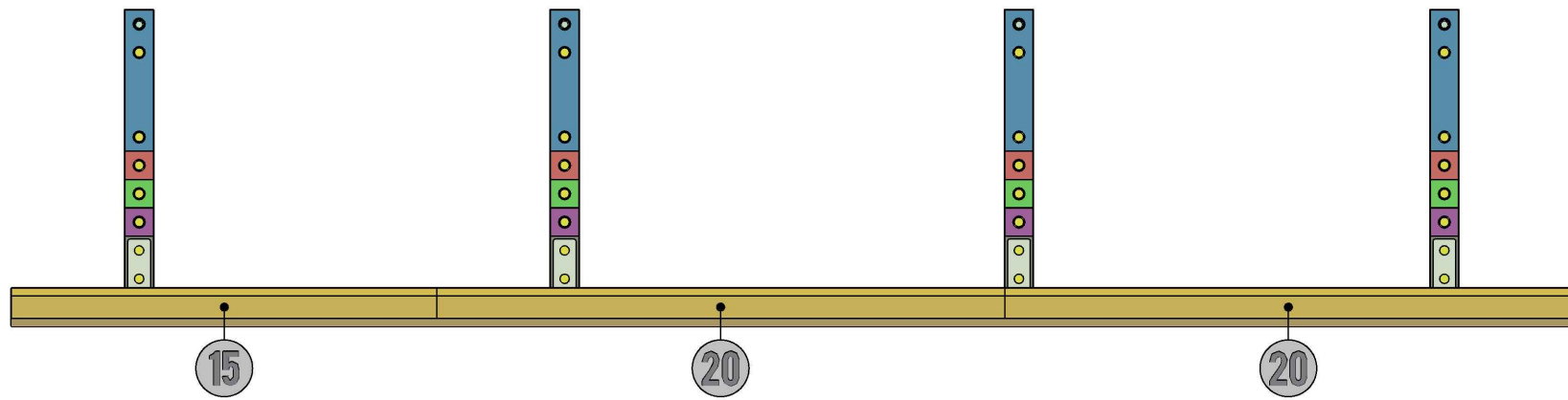
016.DMX----MX----M

DRAWING TITLE

LAYER 7

DESIGN VERSION

WOOD BlocX



CUSTOMER NAME

016.DMX----MX----M

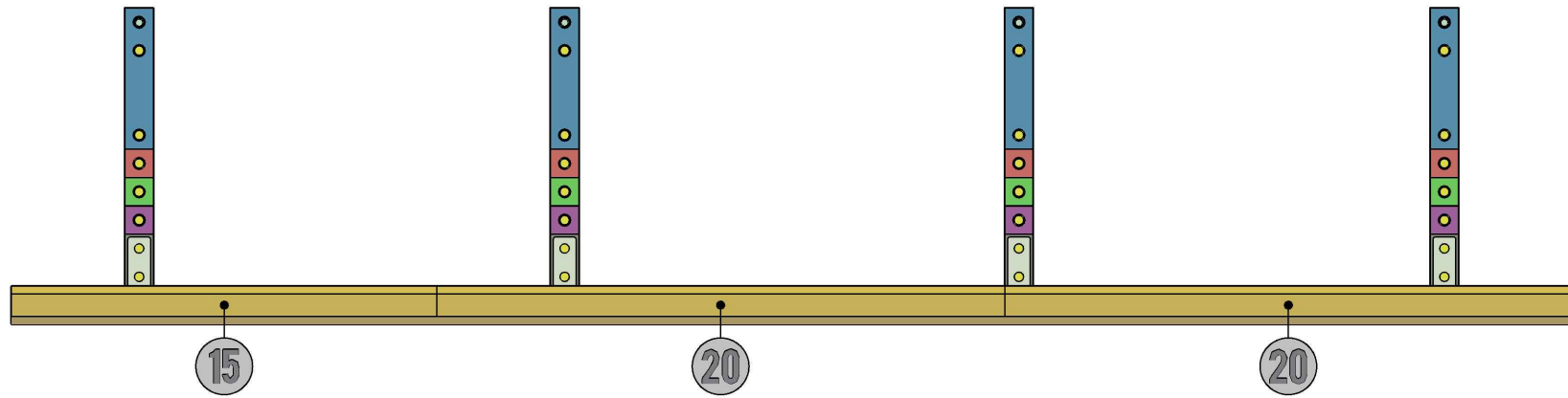
DRAWING TITLE

CAPPINGPLAN

DESIGN VERSION

*NUMBERS REPRESENT NUMBER OF HOLES IN CAPPING

WOOD BlocX



CUSTOMER NAME

016.DMX----MX----M

DRAWING TITLE

CAPPINGPLAN

DESIGN VERSION

*NUMBERS REPRESENT NUMBER OF HOLES IN CAPPING