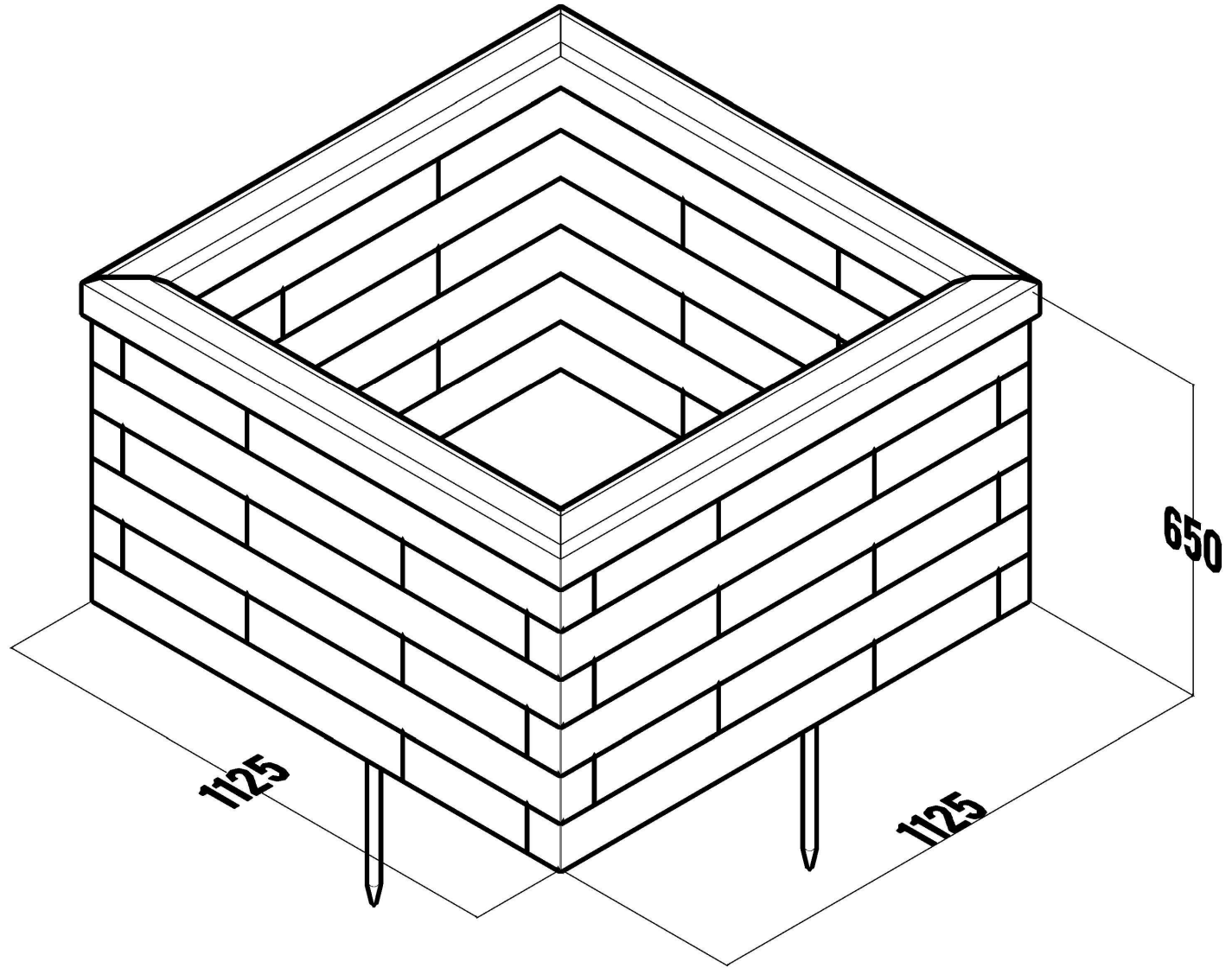


# WOOD BlocX



CUSTOMER NAME

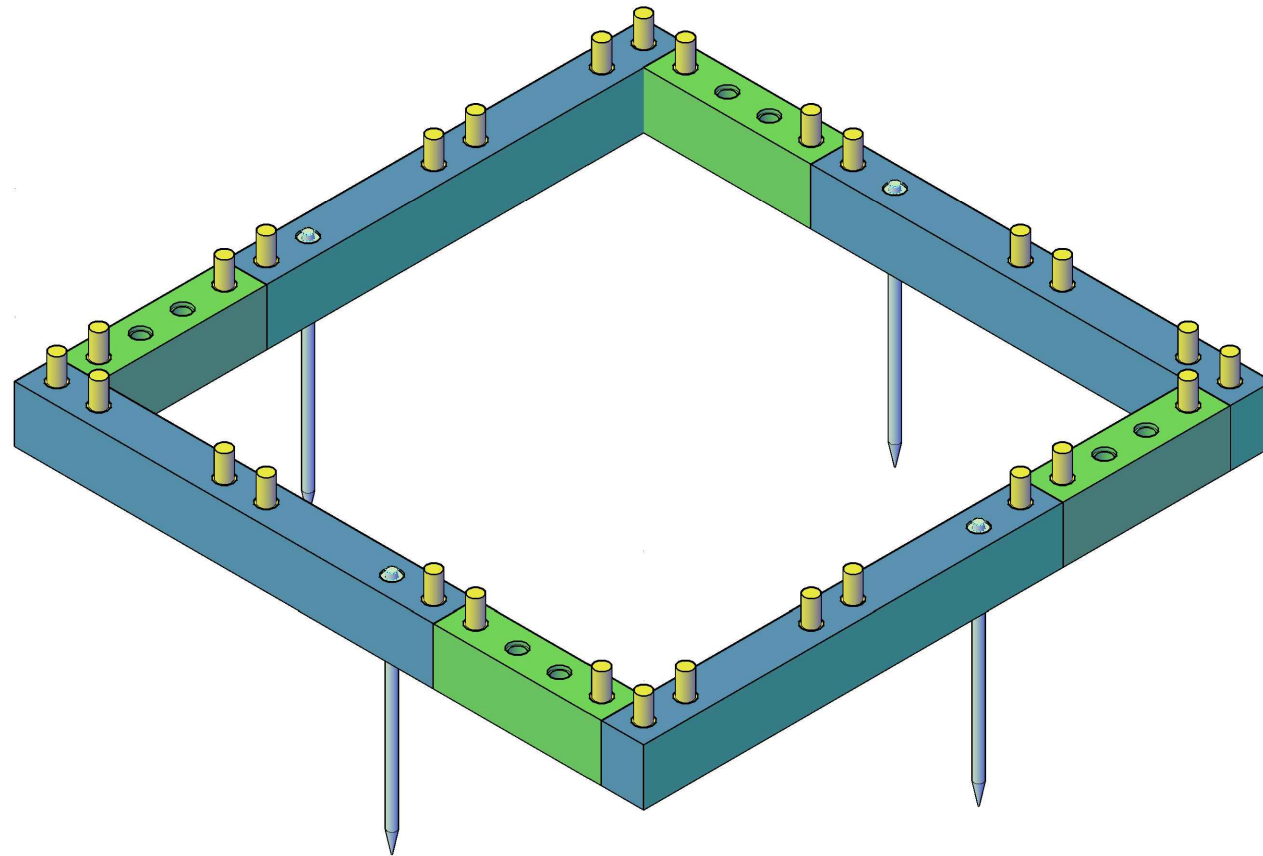
5.DWGMX----MX----M

DRAWING TITLE

COVER 3D

DESIGN VERSION

# WOOD BlocX



CUSTOMER NAME

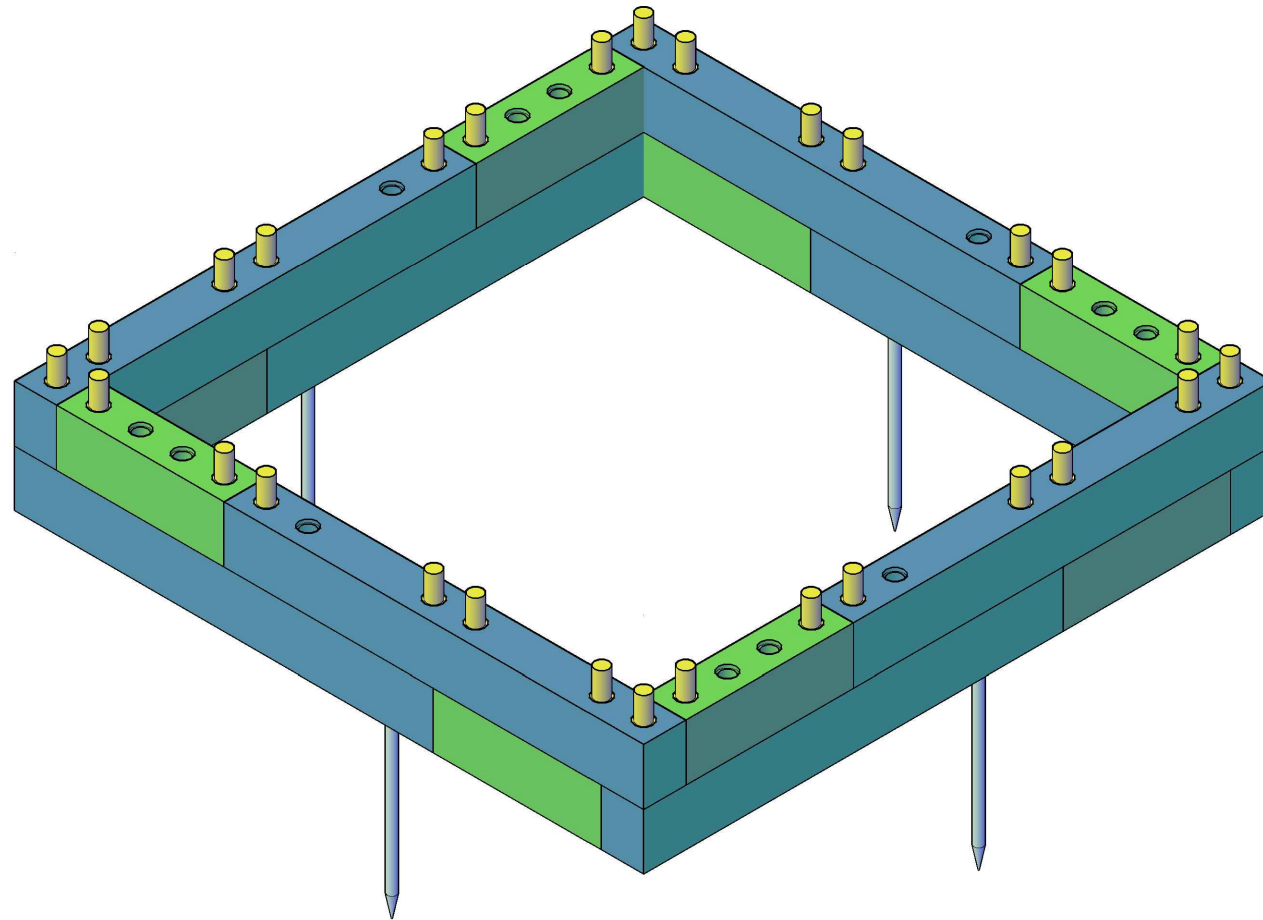
DRAWING TITLE

DESIGN VERSION

5.DWGMX----MX----M

LAYER1

# WOOD BlocX



CUSTOMER NAME

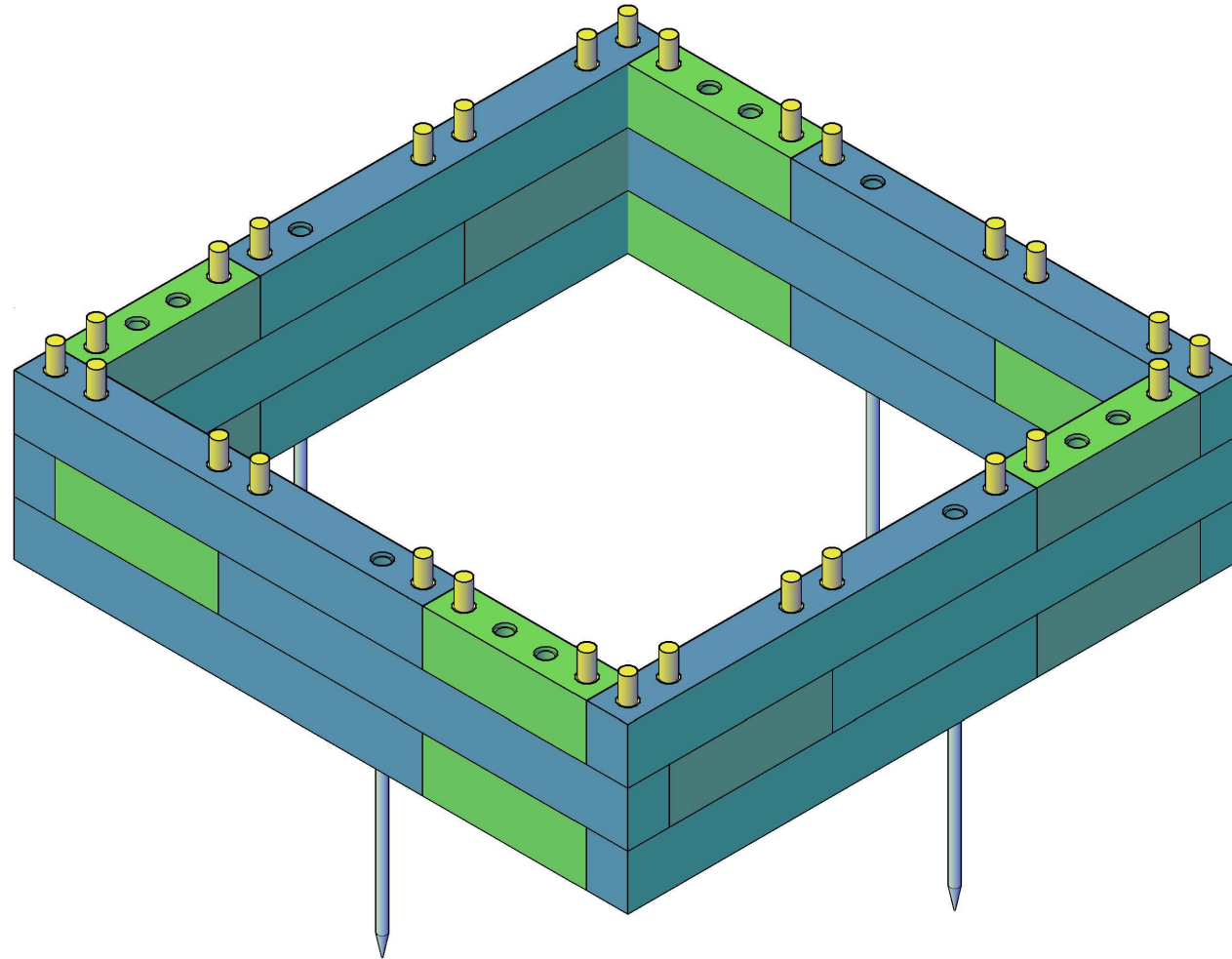
DRAWING TITLE

DESIGN VERSION

5.DWGMX----MX----M

LAYER2

# WOOD BlocX



CUSTOMER NAME

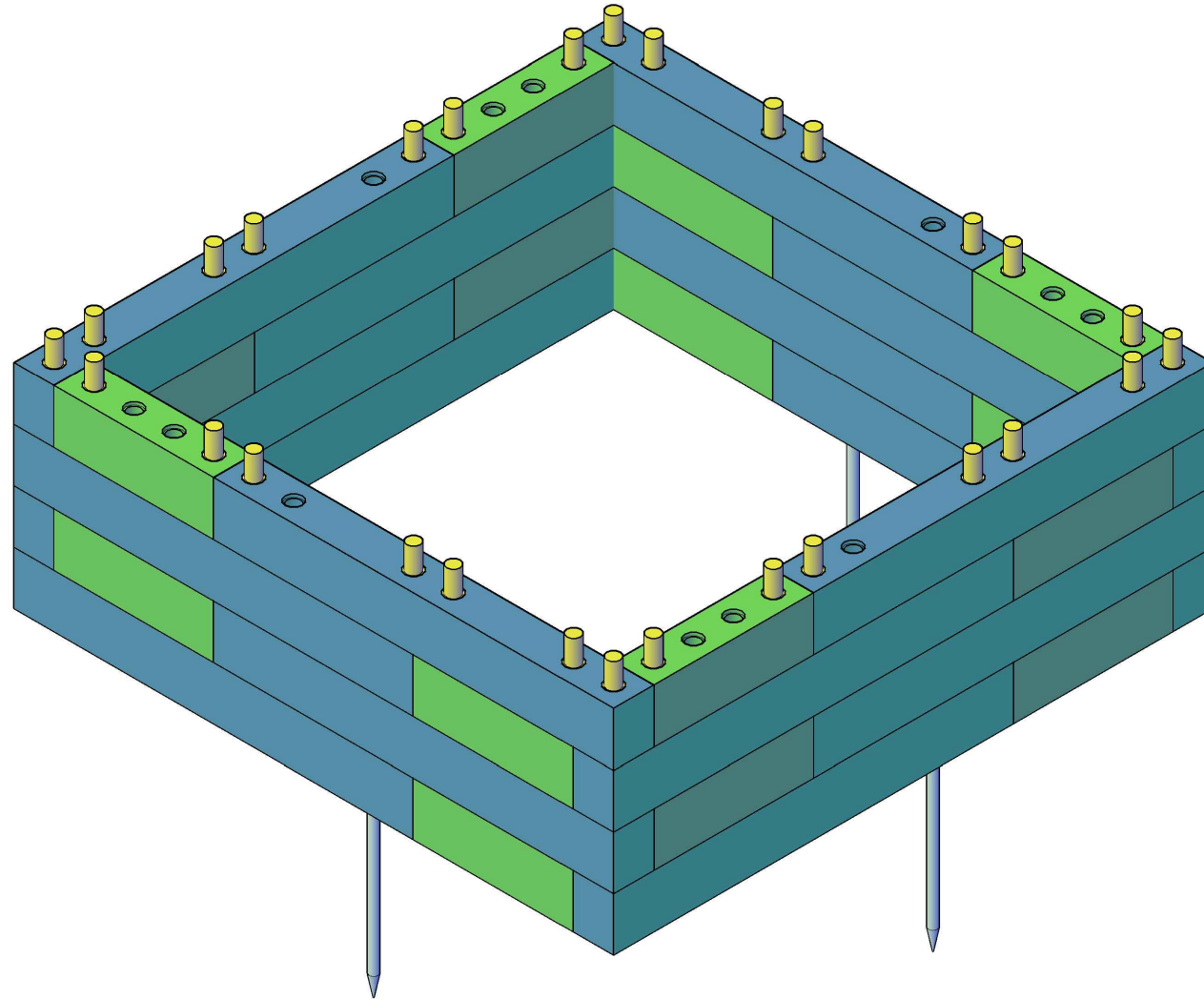
5.DWGMX----MX----M

DRAWING TITLE

LAYER3

DESIGN VERSION

# WOOD BlocX



CUSTOMER NAME

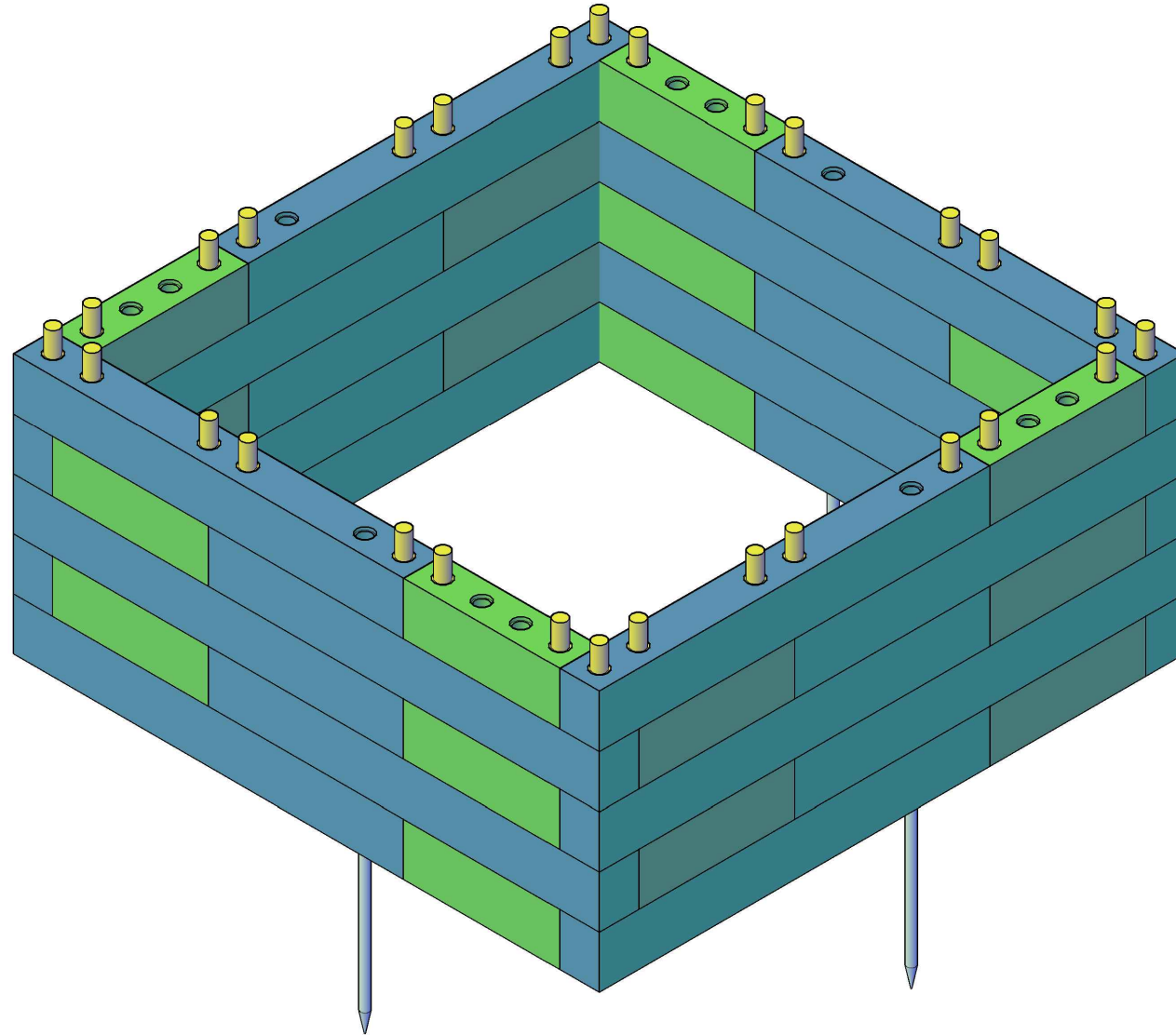
DRAWING TITLE

DESIGN VERSION

5.DWGMX----MX----M

LAYER 4

# WOOD BlocX



CUSTOMER NAME

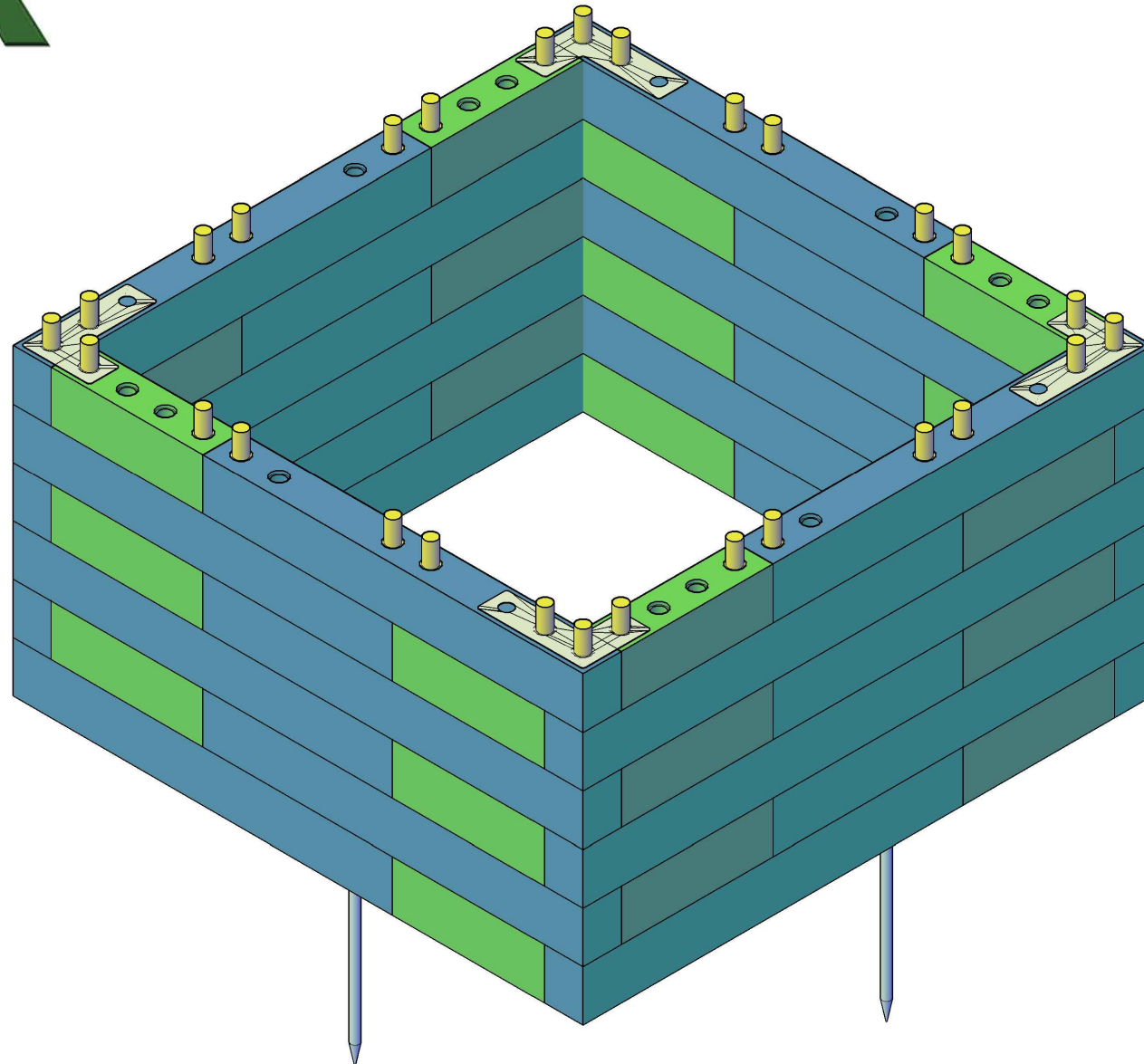
5.DWGMX----MX----M

DRAWING TITLE

LAYER5

DESIGN VERSION

# WOOD BlocX



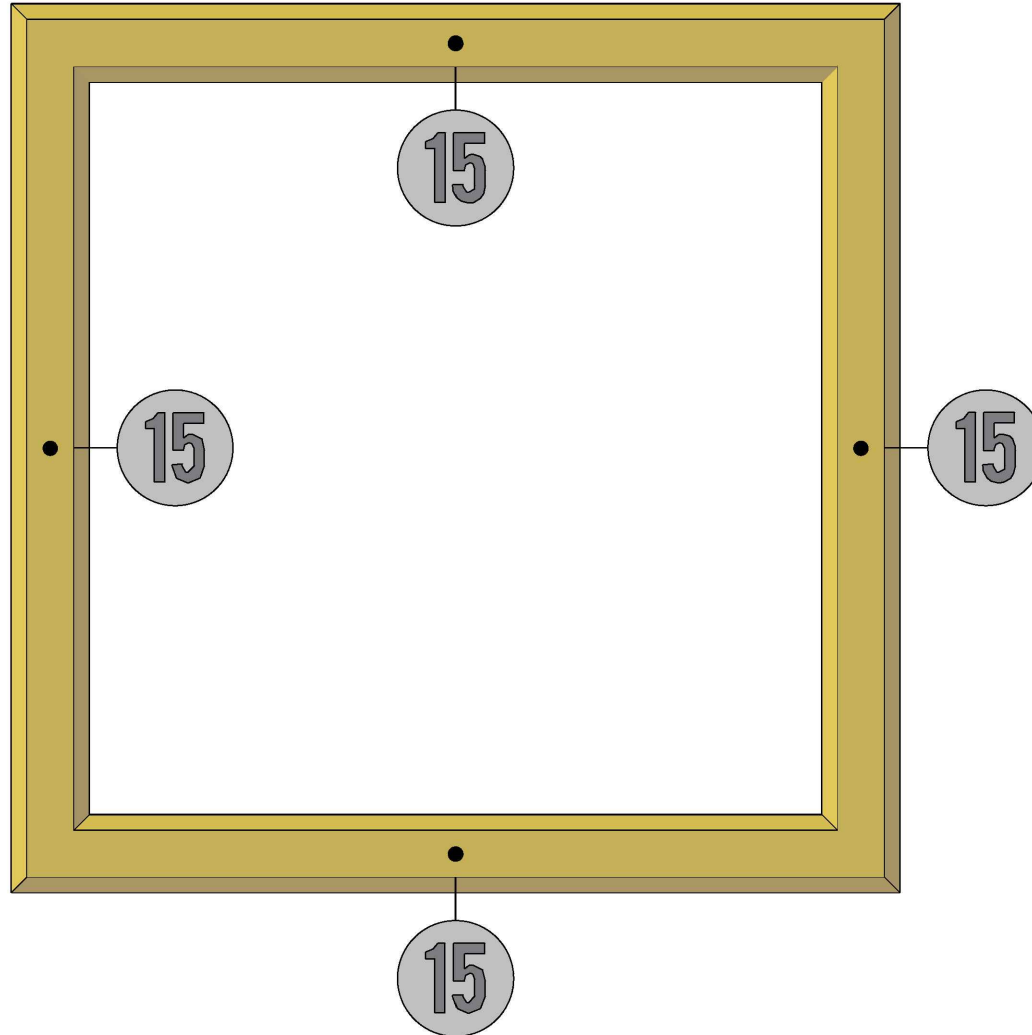
CUSTOMER NAME

DRAWING TITLE

DESIGN VERSION

5.DWGMX----MX----M

LAYER 6



CUSTOMER NAME

DRAWING TITLE

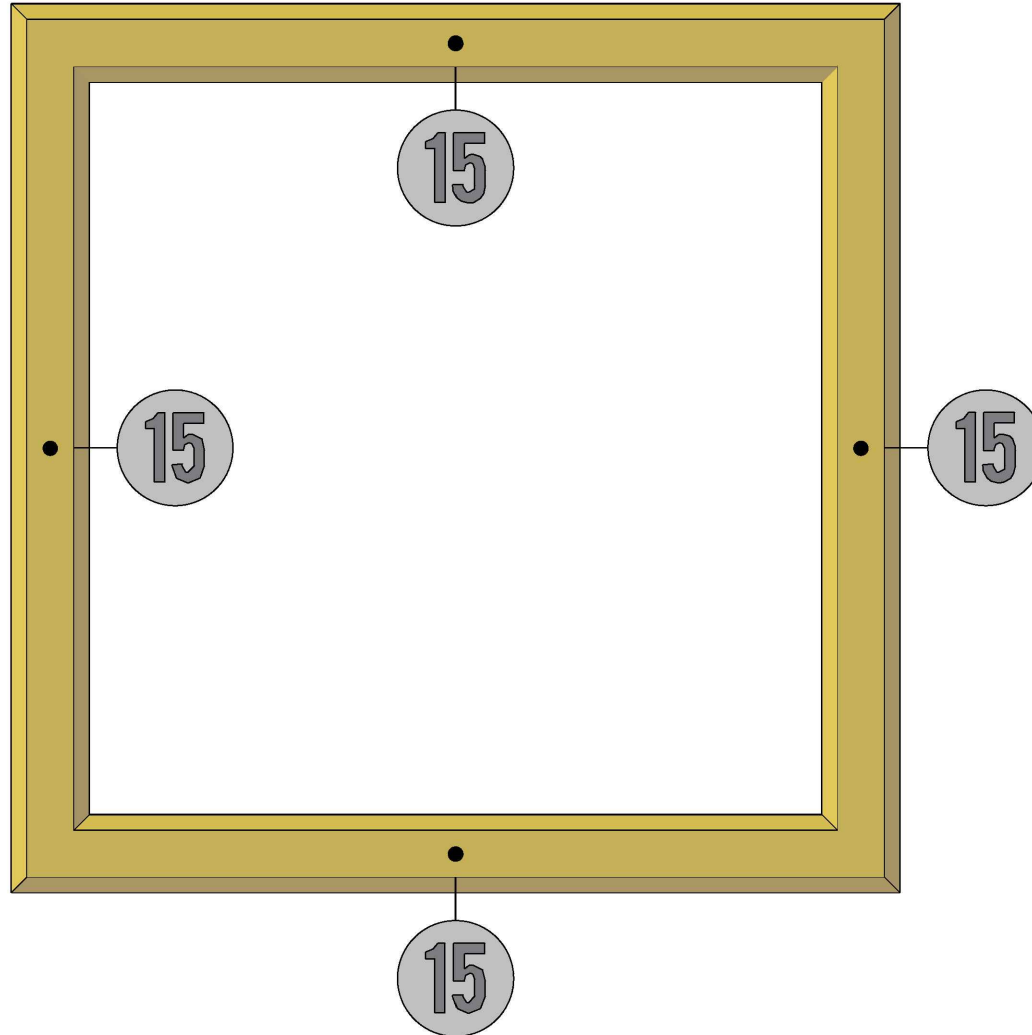
DESIGN VERSION

\*NUMBERS REPRESENT NUMBER OF HOLES IN CAPPING

5.DWGMX----MX----M

CAPPINGPLAN





CUSTOMER NAME

DRAWING TITLE

DESIGN VERSION

\*NUMBERS REPRESENT NUMBER OF HOLES IN CAPPING

5.DWGMX----MX----M

CAPPINGPLAN