

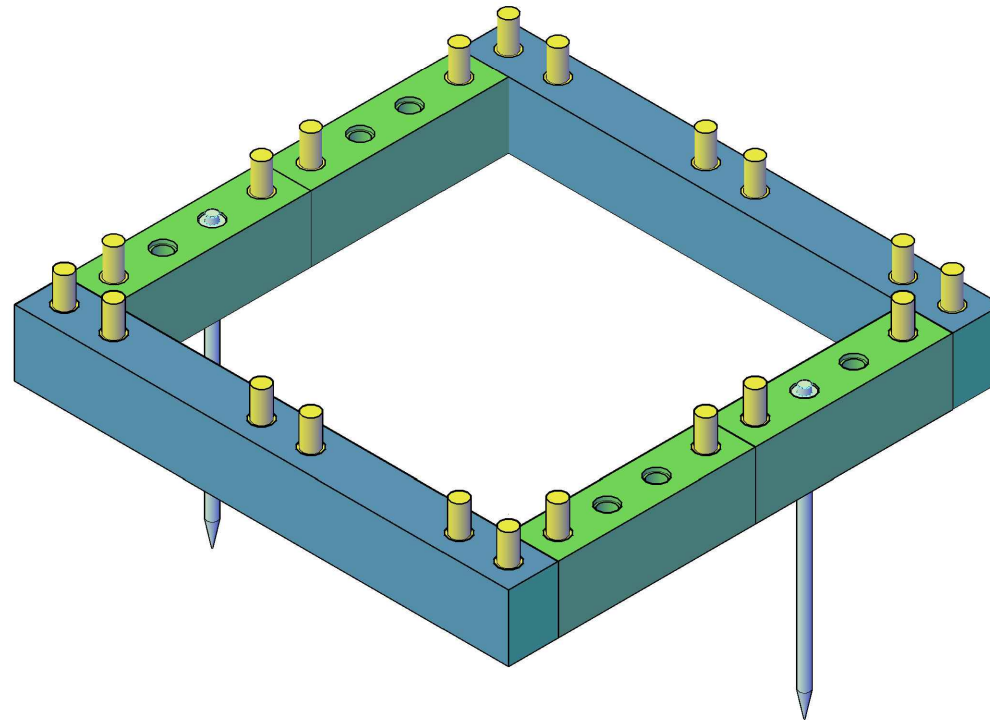
CUSTOMER NAME

6.DWGMX----MX----M

DRAWING TITLE

COVER 3D

DESIGN VERSION



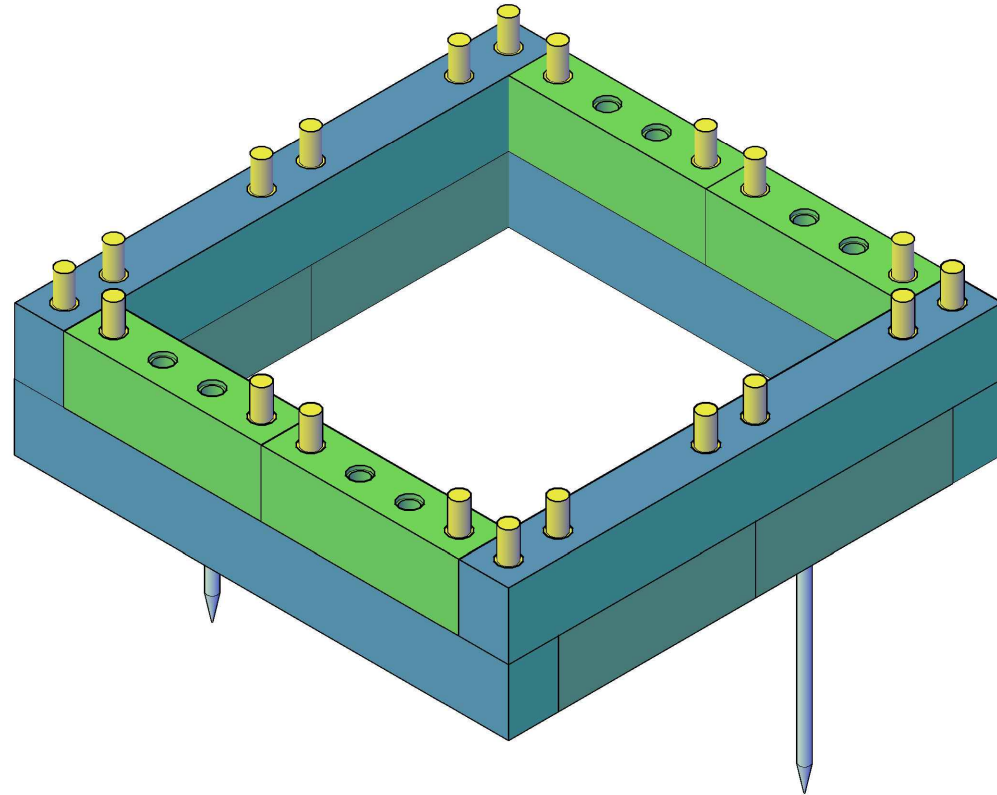
CUSTOMER NAME

DRAWING TITLE

DESIGN VERSION

6.DWGMX----MX----M

LAYER1



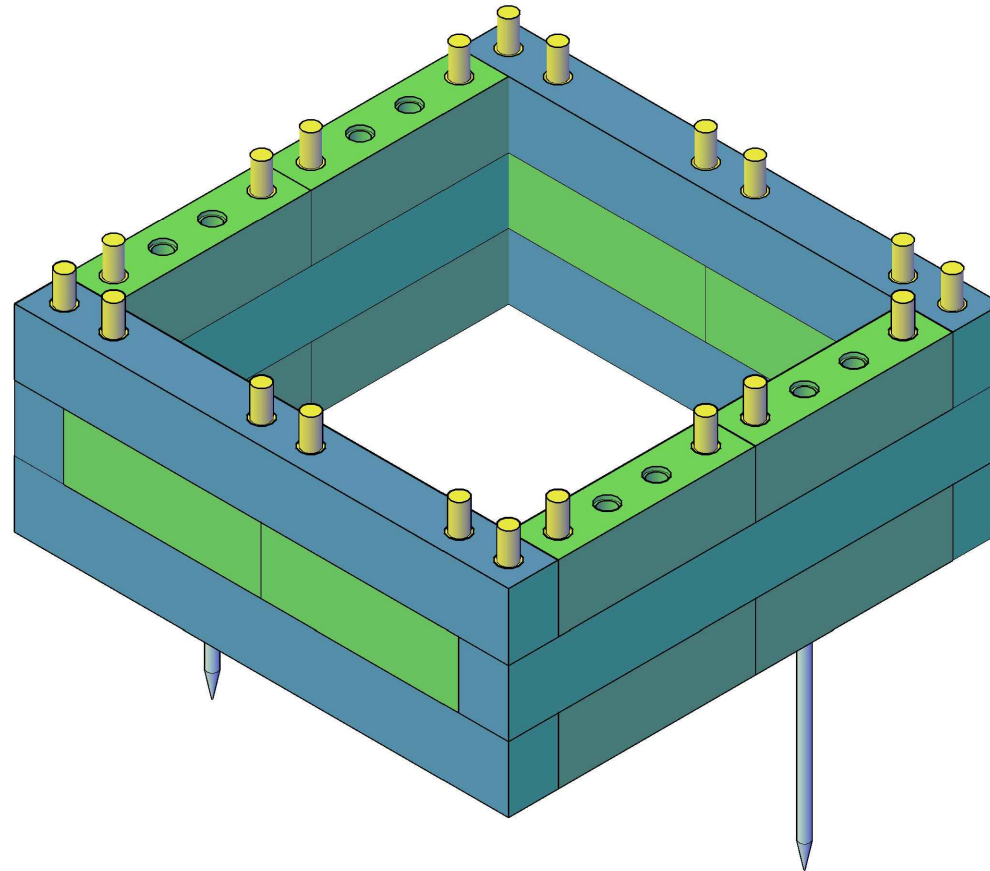
CUSTOMER NAME

DRAWING TITLE

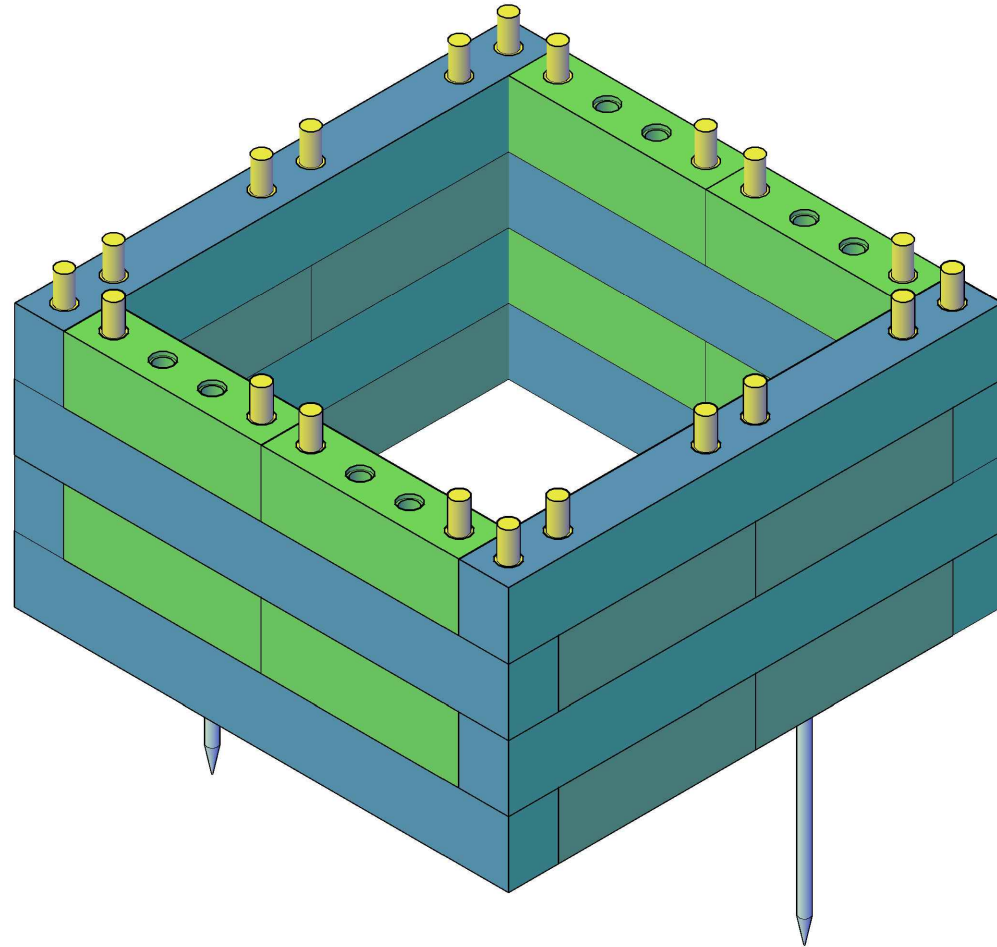
DESIGN VERSION

6.DWGMX----MX----M

LAYER2



WOOD BlocX



CUSTOMER NAME

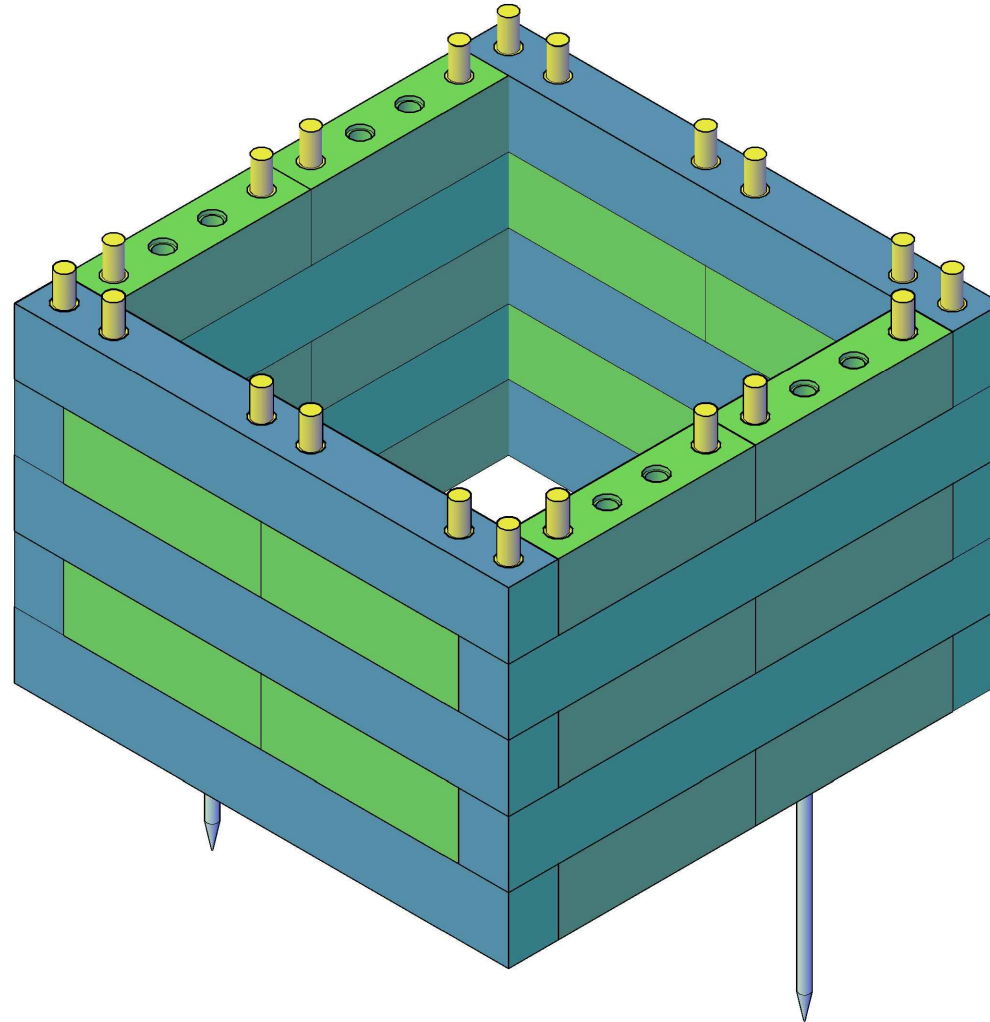
DRAWING TITLE

DESIGN VERSION

6.DWGMX----MX----M

LAYER 4

WOOD BlocX



CUSTOMER NAME

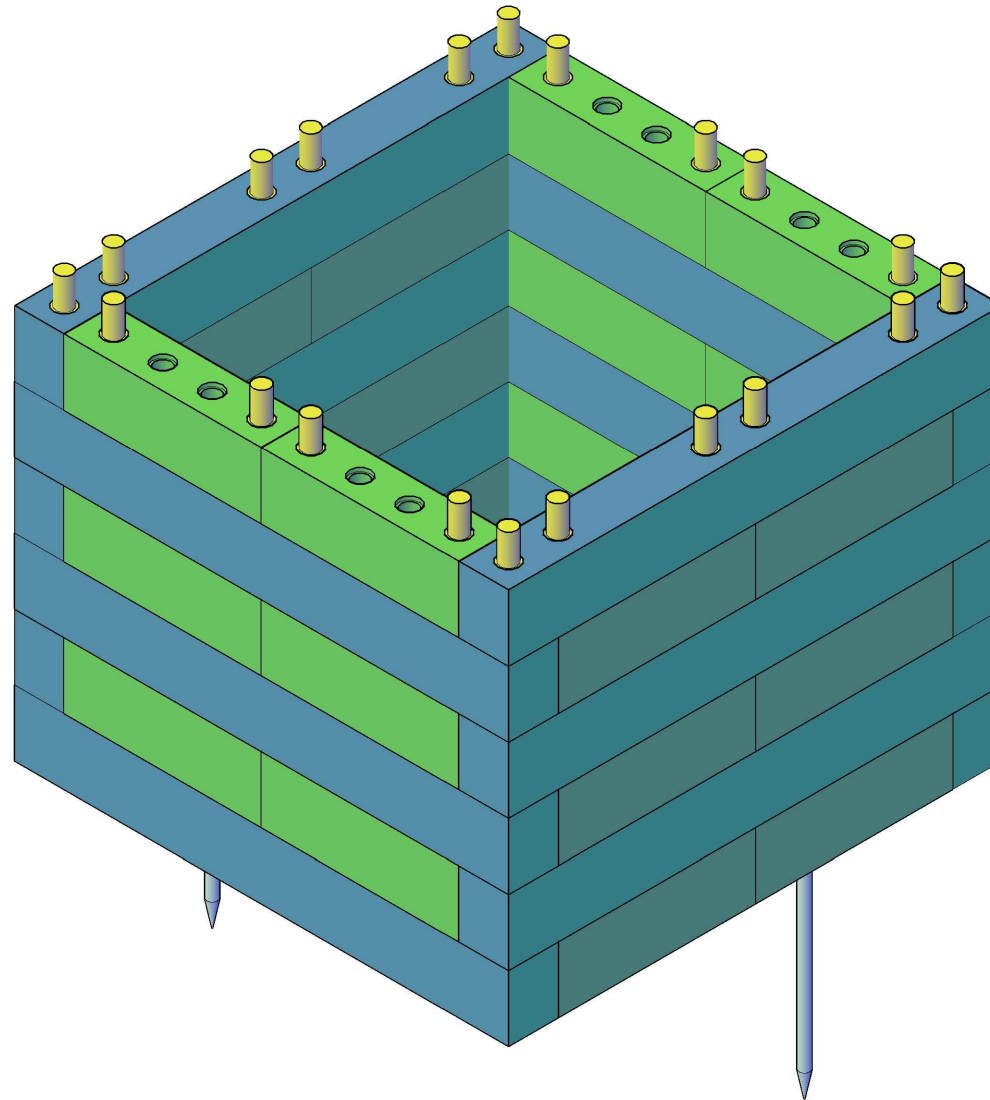
DRAWING TITLE

DESIGN VERSION

6.DWGMX----MX----M

LAYER5

WOOD BlocX



CUSTOMER NAME

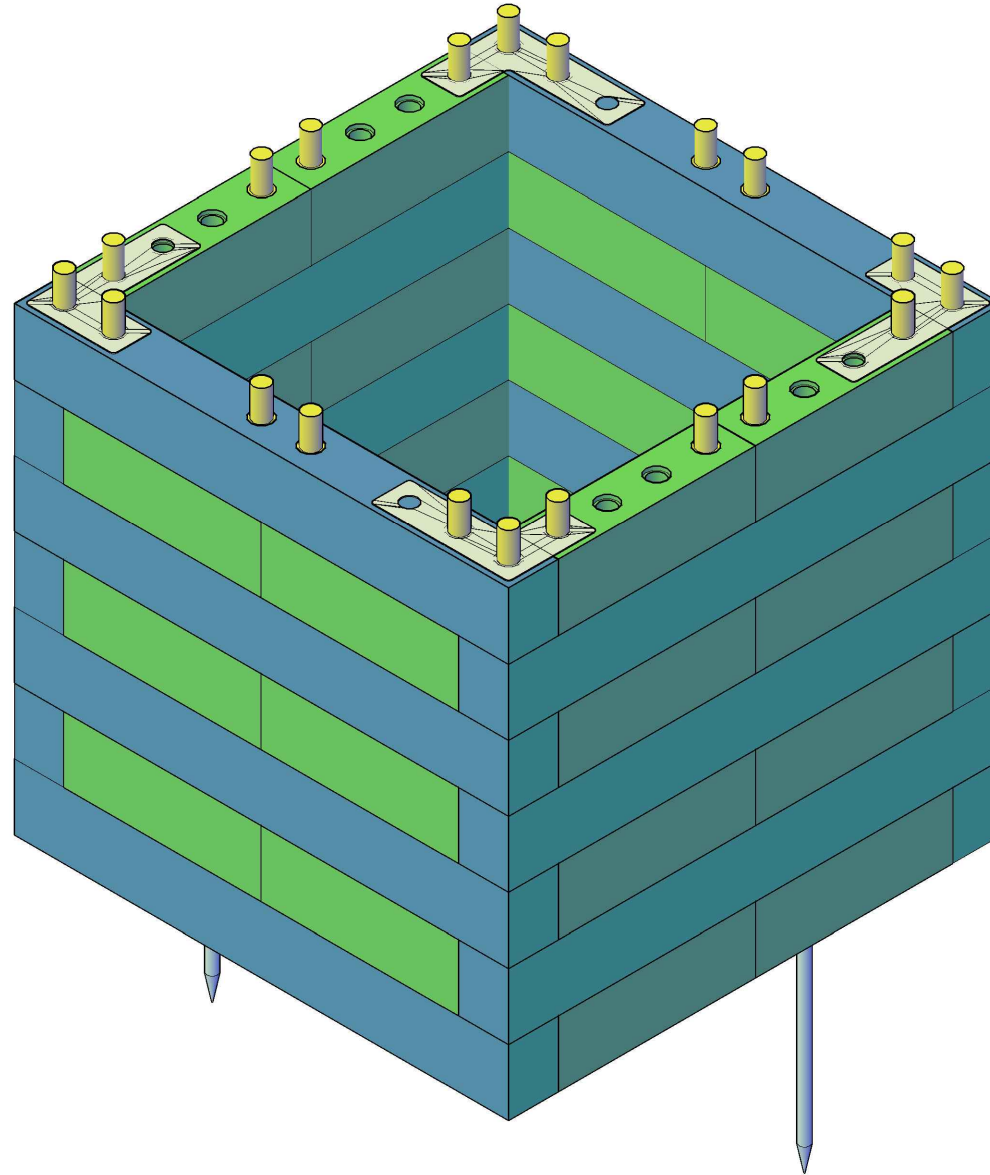
6.DWGMX----MX----M

DRAWING TITLE

LAYER 6

DESIGN VERSION

WOOD BlocX



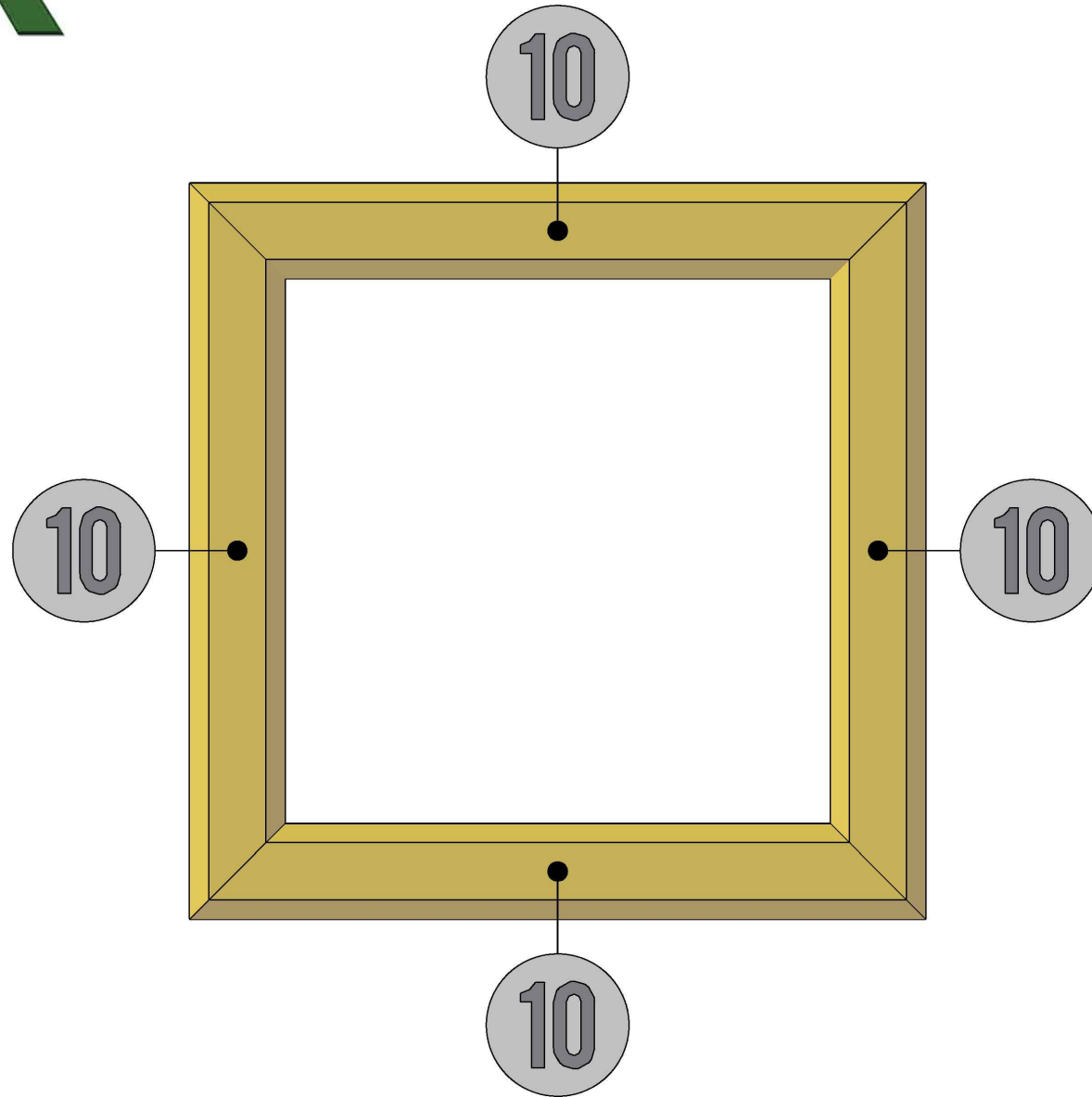
CUSTOMER NAME

6.DWGMX----MX----M

DRAWING TITLE

LAYER 7

DESIGN VERSION



CUSTOMER NAME

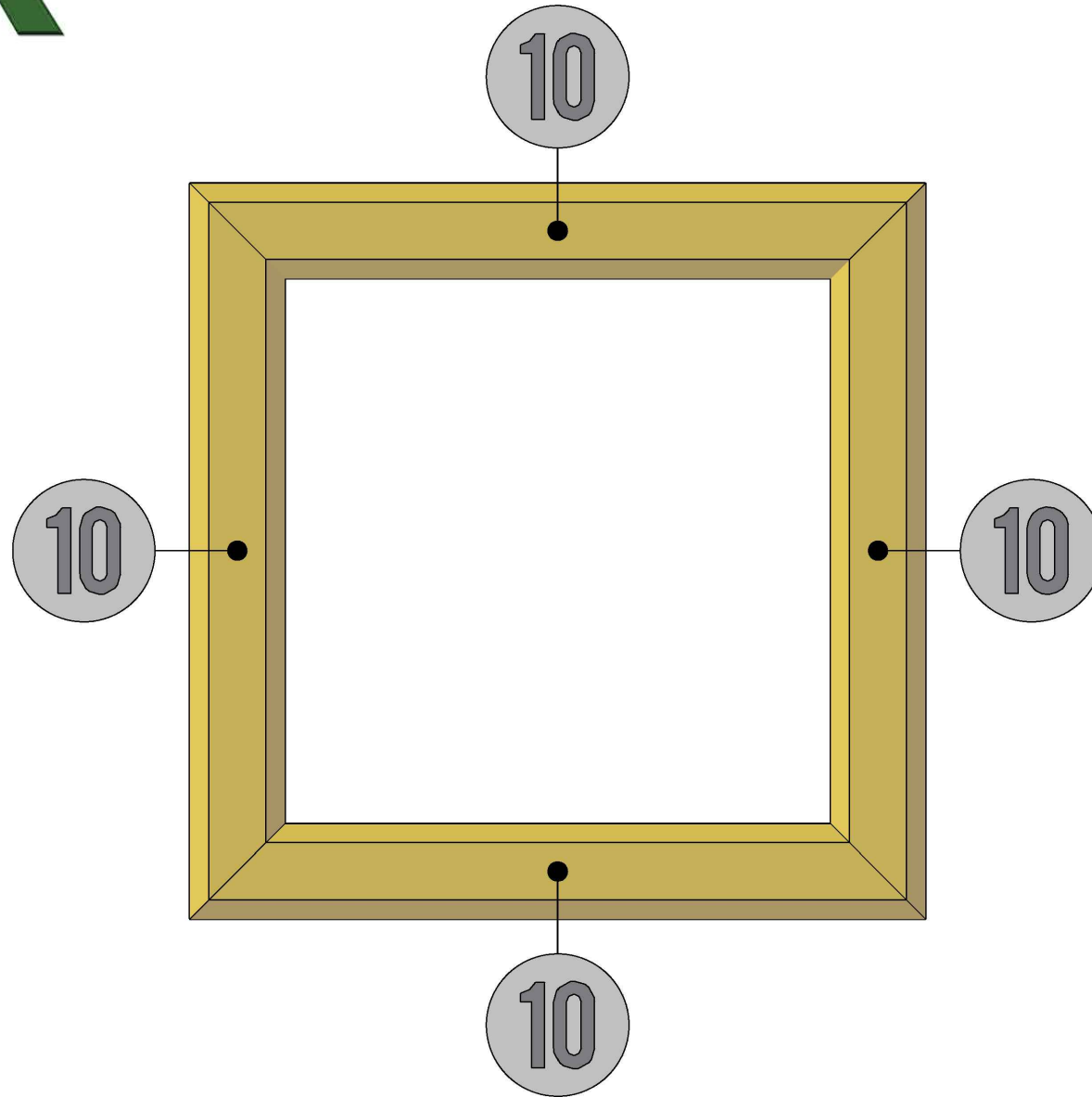
DRAWING TITLE

DESIGN VERSION

*NUMBERS REPRESENT NUMBER OF HOLES IN CAPPING

6.DWGMX----MX----M

CAPPING PLAN



CUSTOMER NAME

DRAWING TITLE

DESIGN VERSION

*NUMBERS REPRESENT NUMBER OF HOLES IN CAPPING

6.DWGMX----MX----M

CAPPINGPLAN