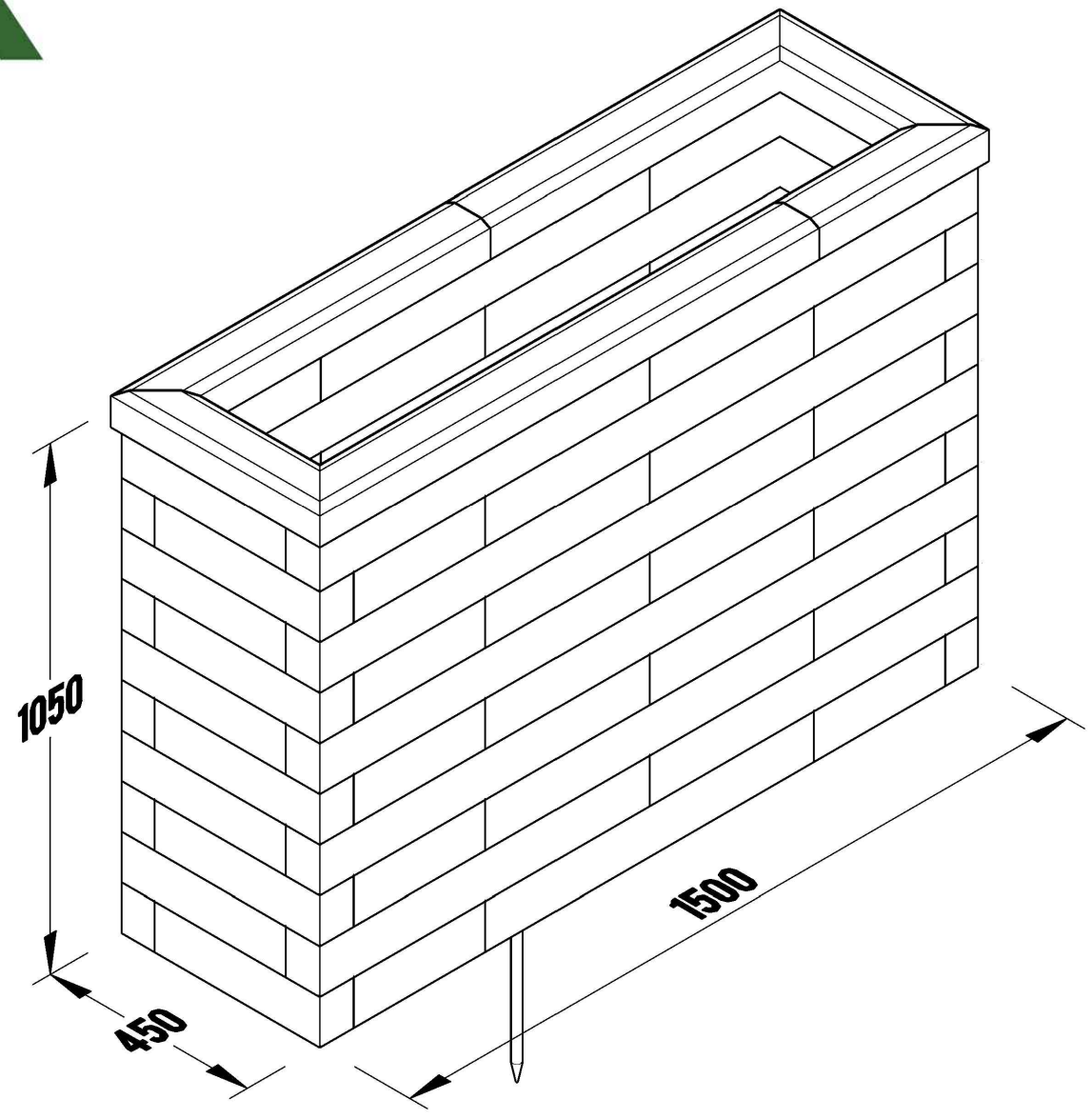
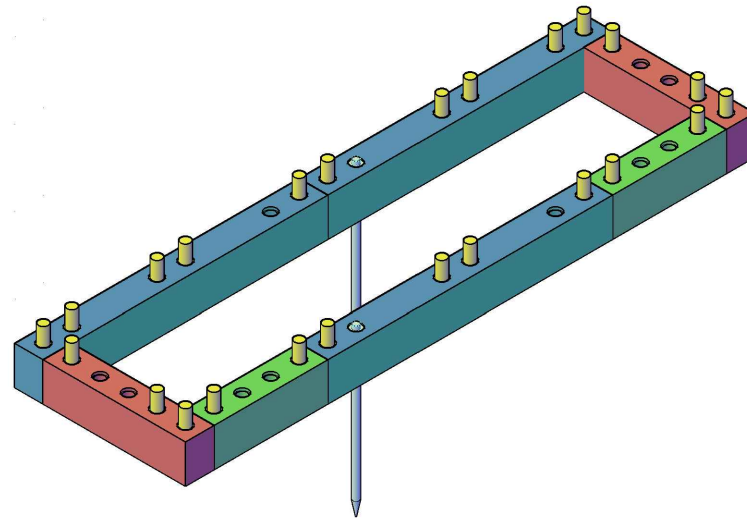


# WOOD BlocX





---

CUSTOMER NAME

**BESPOKE**

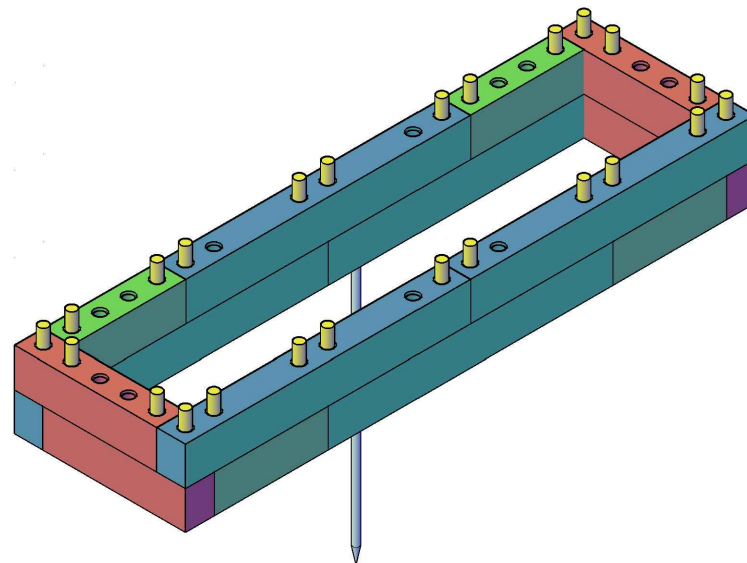
---

DRAWING TITLE

**LAYER1**

---

DESIGN VERSION



---

CUSTOMER NAME

**BESPOKE**

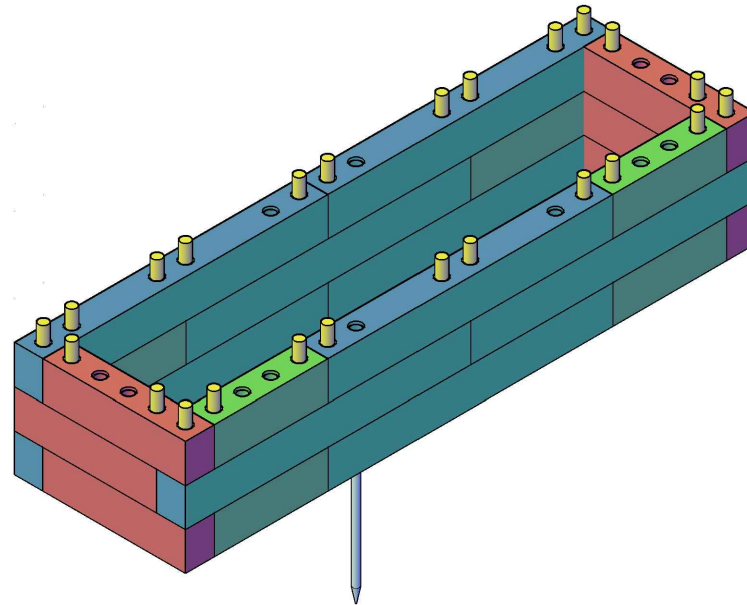
---

DRAWING TITLE

**LAYER2**

---

DESIGN VERSION



---

CUSTOMER NAME

**BESPOKE**

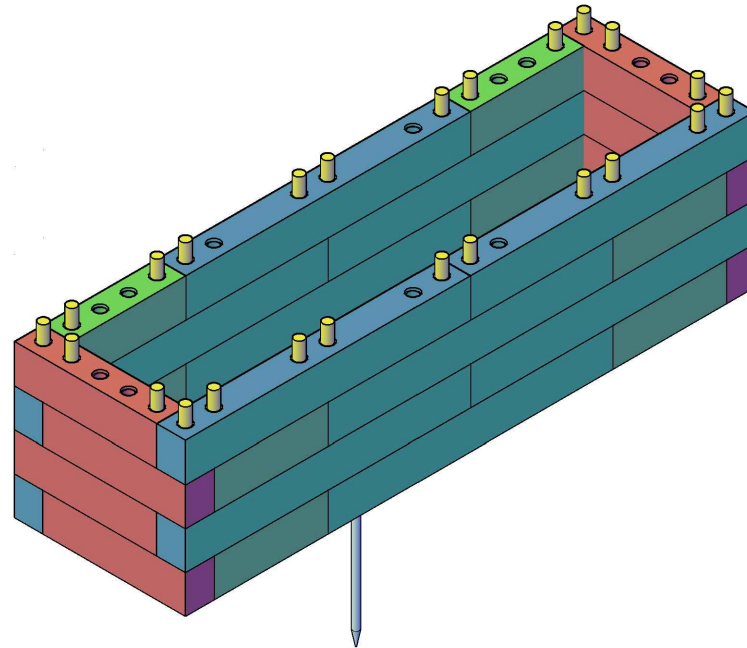
---

DRAWING TITLE

**LAYER 3**

---

DESIGN VERSION



---

CUSTOMER NAME

**BESPOKE**

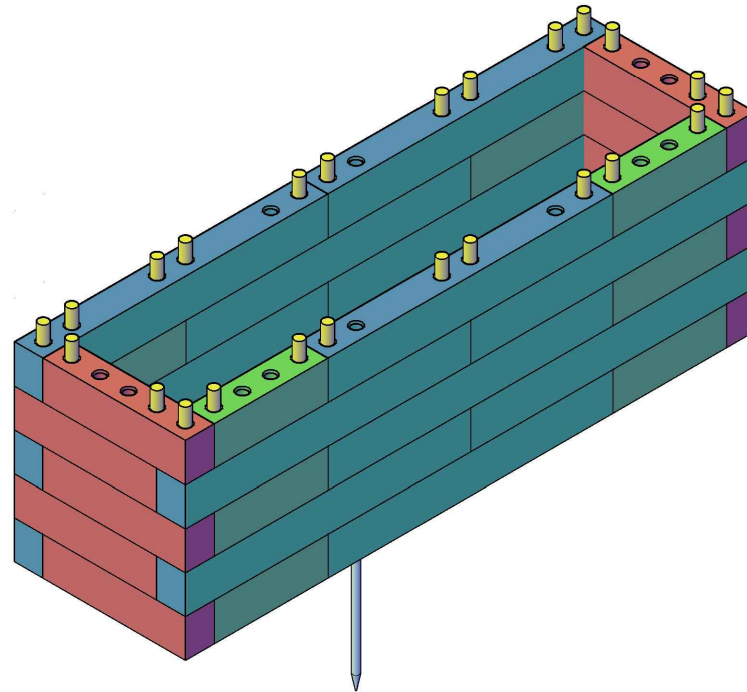
---

DRAWING TITLE

**LAYER 4**

---

DESIGN VERSION



---

CUSTOMER NAME

**BESPOKE**

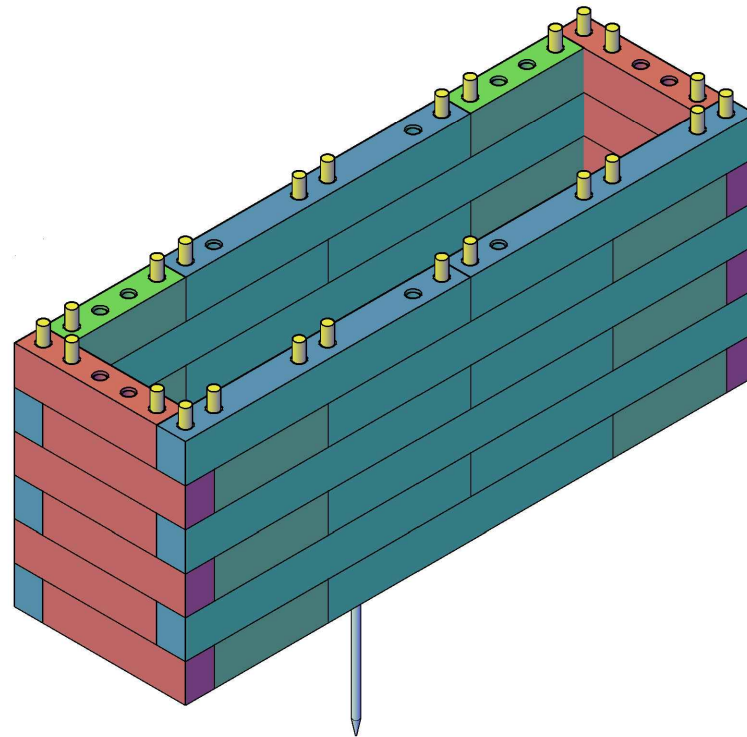
---

DRAWING TITLE

**LAYER5**

---

DESIGN VERSION



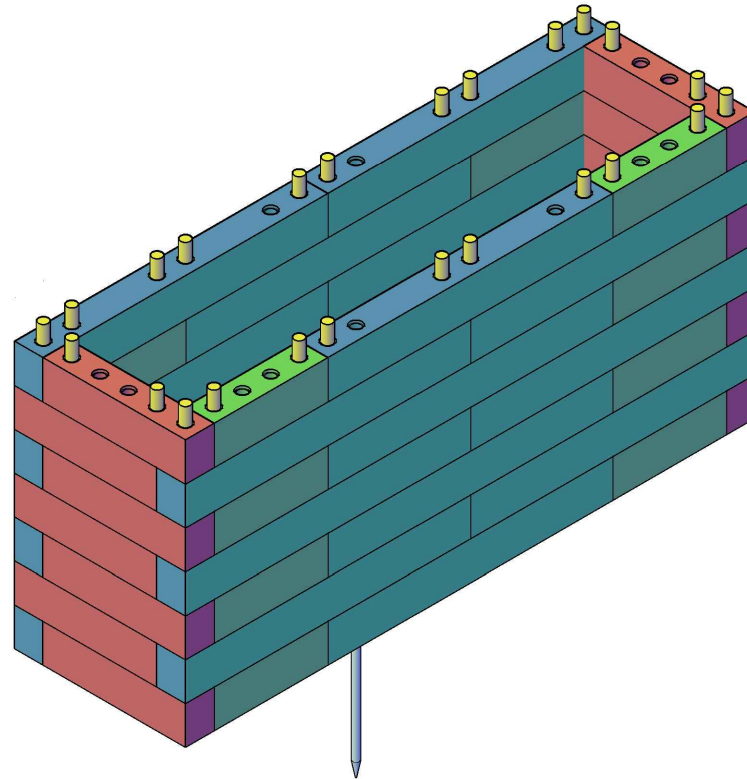
CUSTOMER NAME

**BESPOKE**

DRAWING TITLE

**LAYER 6**

DESIGN VERSION



---

CUSTOMER NAME

**BESPOKE**

---

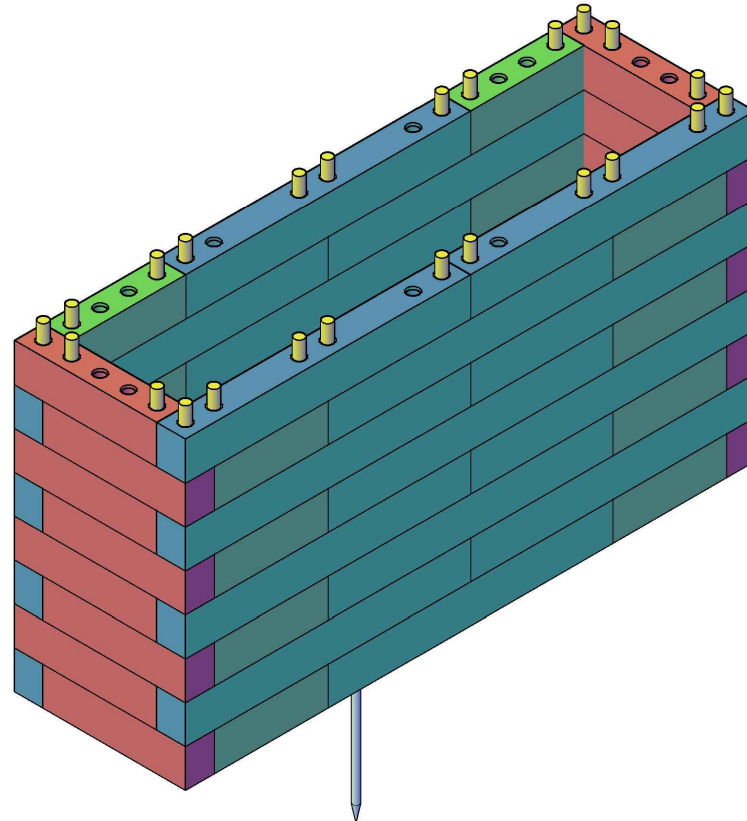
DRAWING TITLE

**LAYER 7**

---

DESIGN VERSION





CUSTOMER NAME

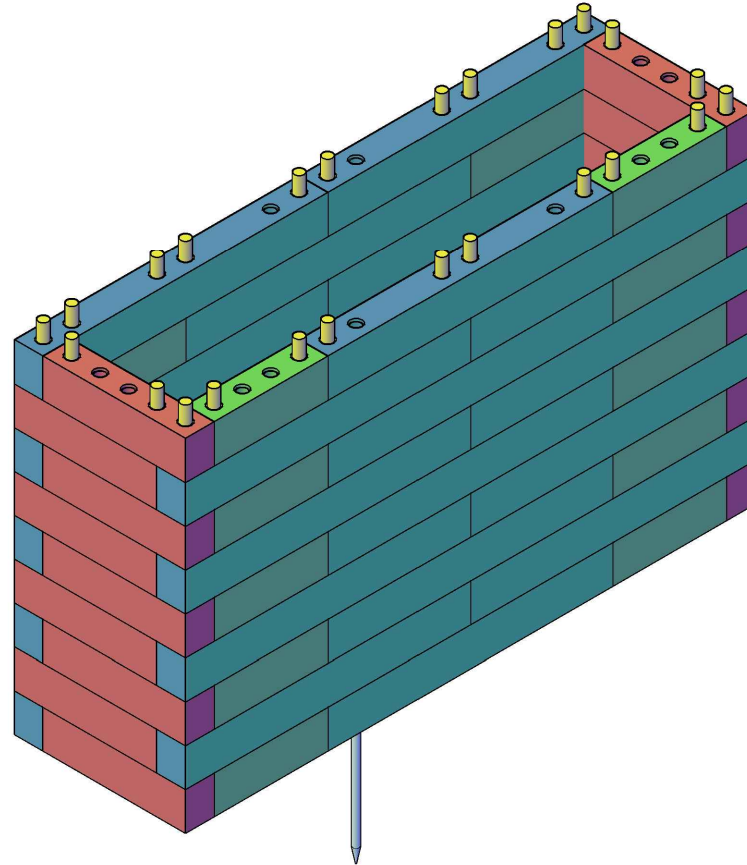
**BESPOKE**

DRAWING TITLE

**LAYER 8**

DESIGN VERSION

# WOOD BlocX



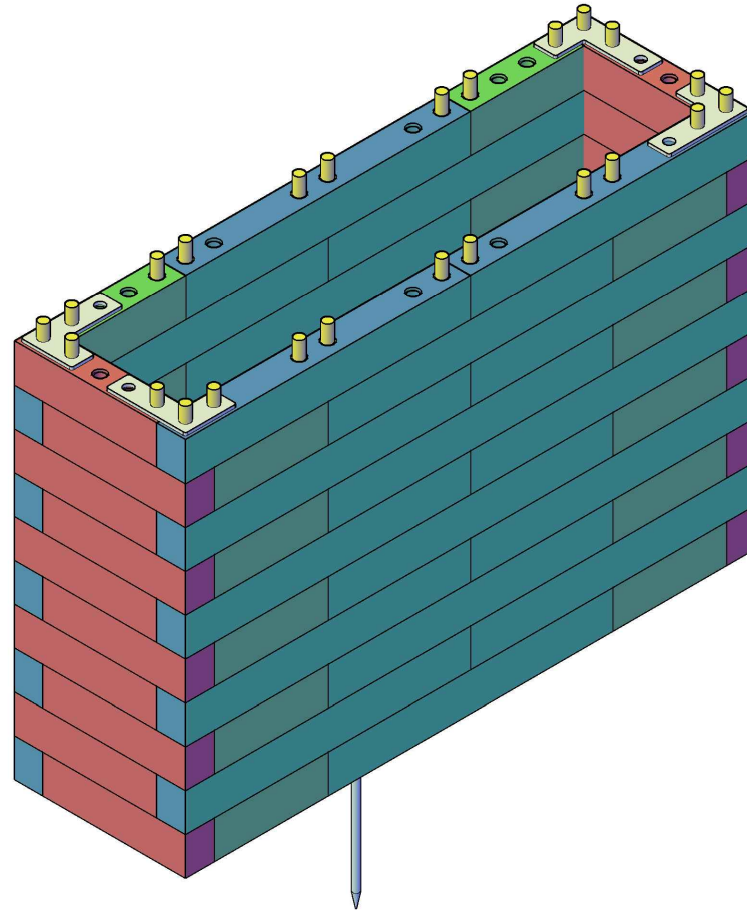
CUSTOMER NAME

**BESPOKE**

DRAWING TITLE

**LAYER9**

DESIGN VERSION



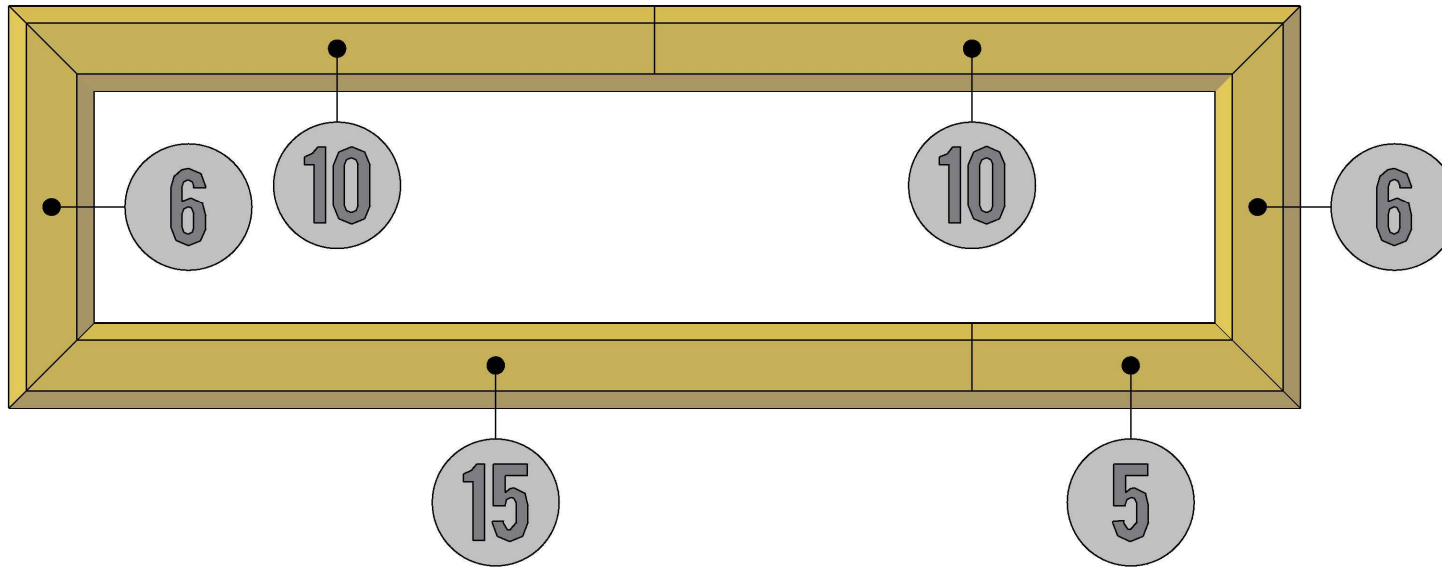
CUSTOMER NAME

**BESPOKE**

DRAWING TITLE

**LAYER 10**

DESIGN VERSION



CUSTOMER NAME

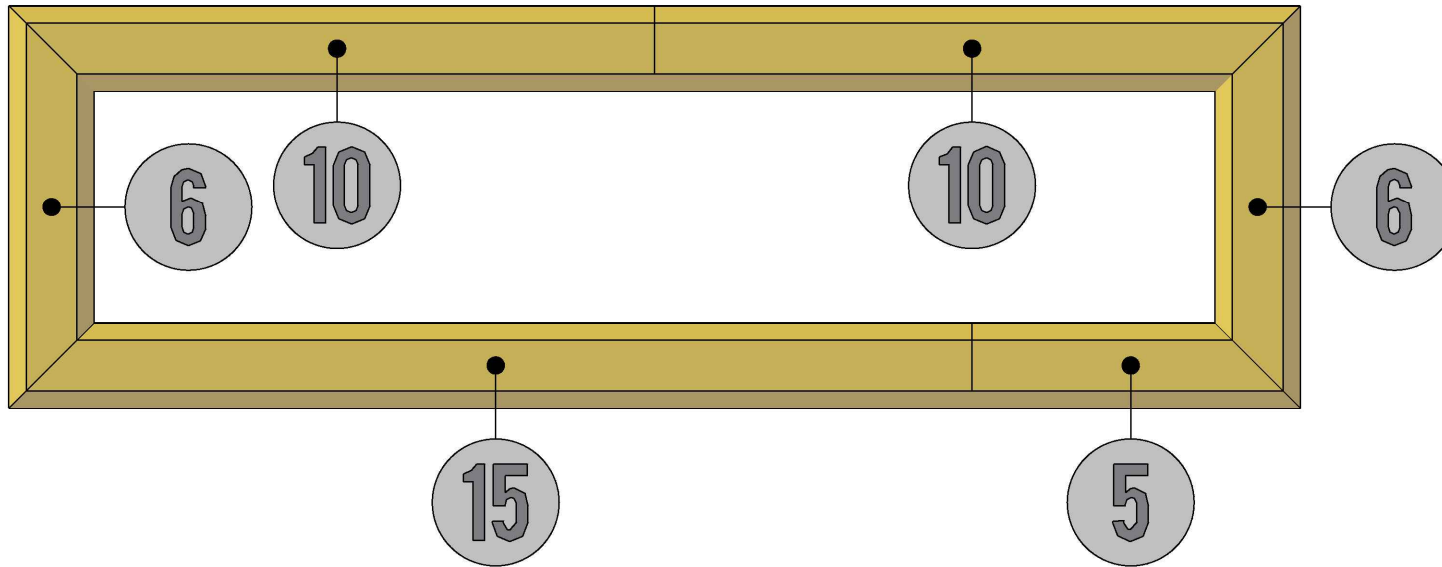
DRAWING TITLE

DESIGN VERSION

\*NUMBERS REPRESENT NUMBER OF HOLES INCAPPING

BESPOKE

CAPPINGPLAN



CUSTOMER NAME

DRAWING TITLE

DESIGN VERSION

\*NUMBERS REPRESENT NUMBER OF HOLES INCAPPING

BESPOKE

CAPPINGPLAN