

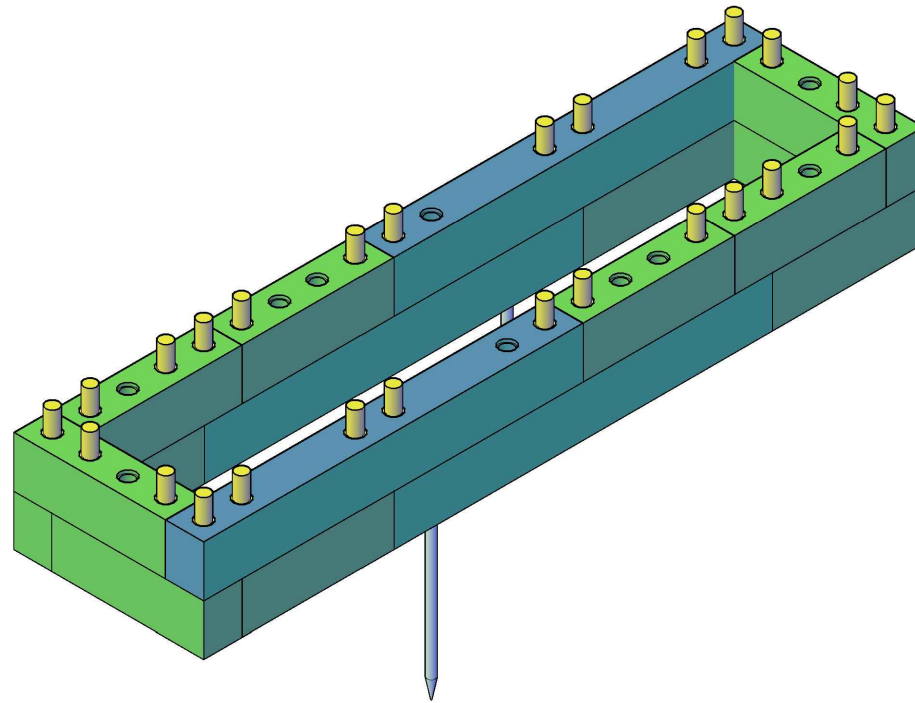
CUSTOMER NAME

BESPOKE

DRAWING TITLE

Layer 1

DESIGN VERSION



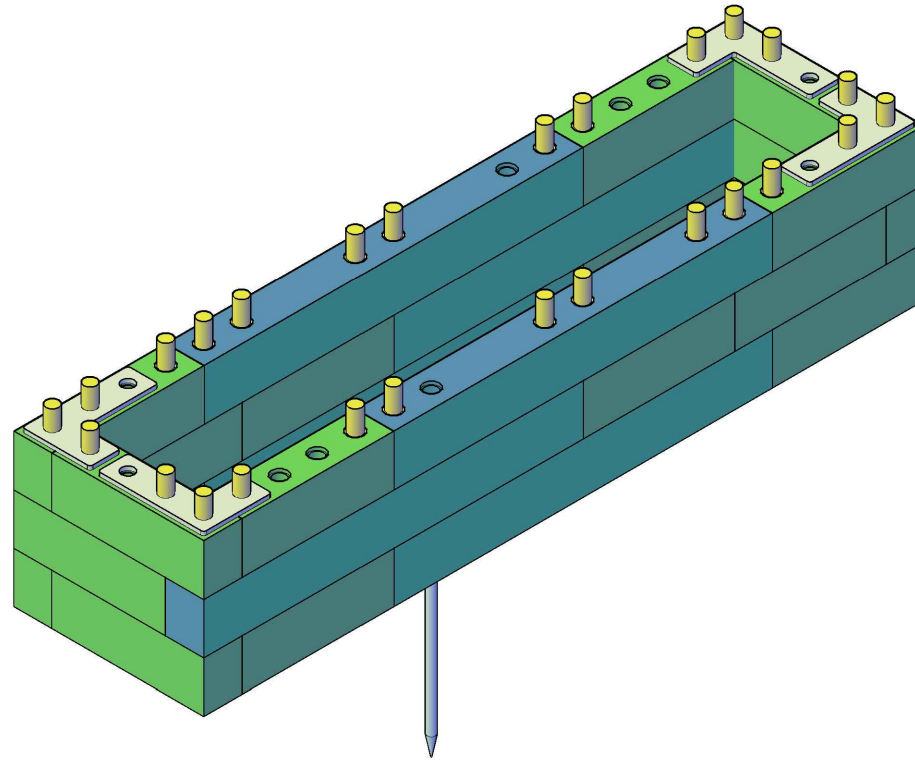
CUSTOMER NAME

BESPOKE

DRAWING TITLE

Layer 2

DESIGN VERSION



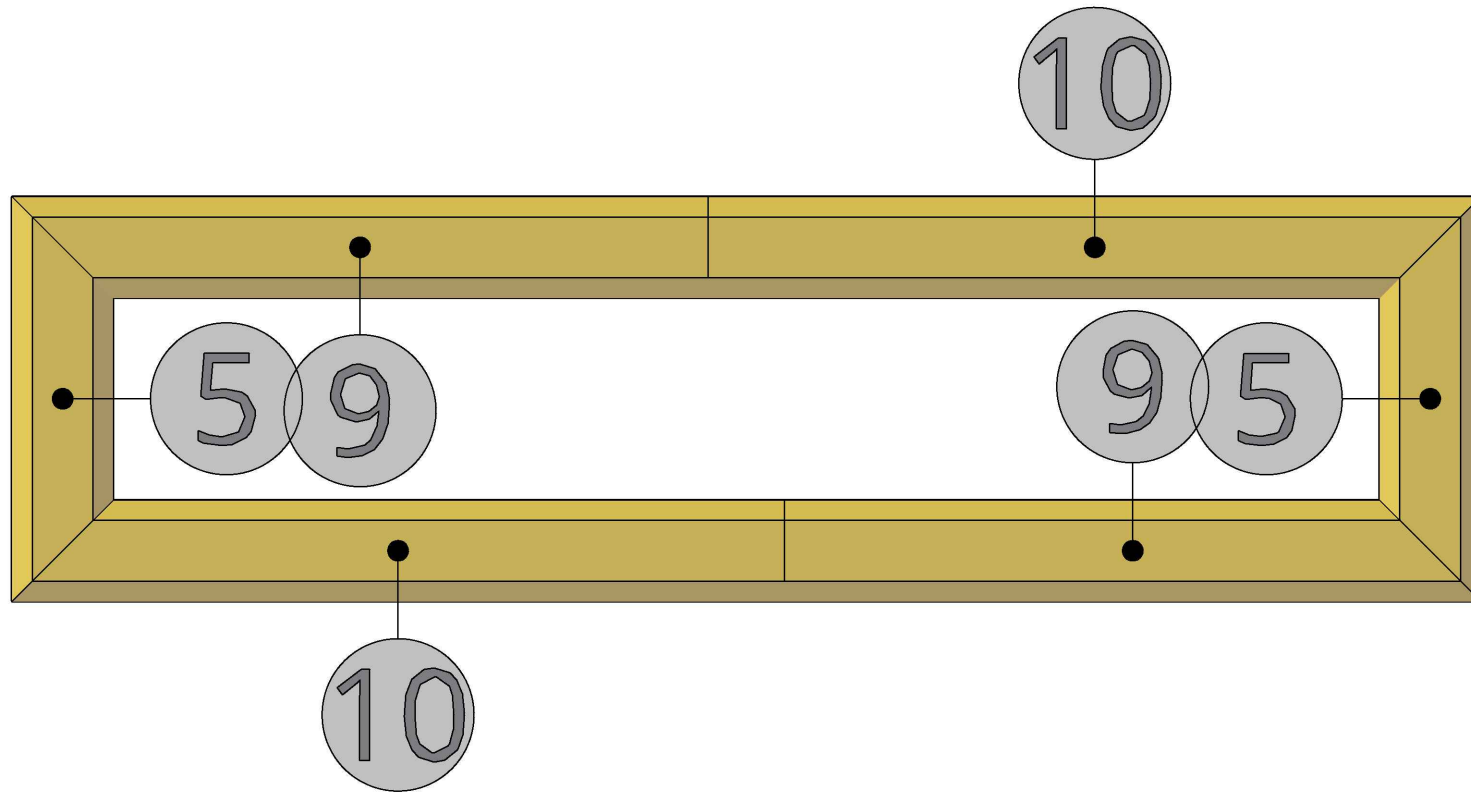
CUSTOMER NAME

BESPOKE

DRAWING TITLE

Layer 3

DESIGN VERSION



CUSTOMER NAME

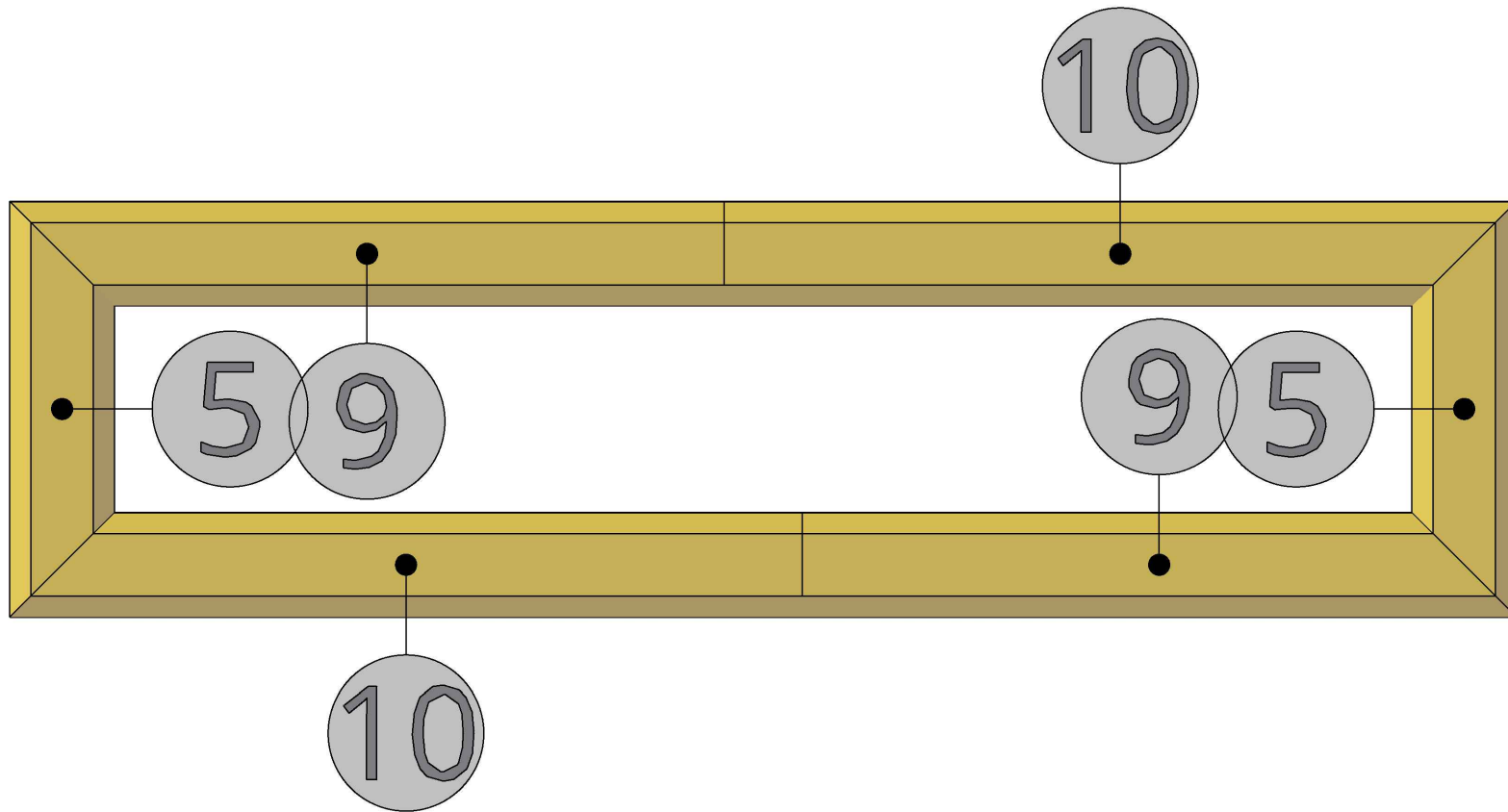
DRAWING TITLE

DESIGN VERSION

*NUMBERS REPRESENT NUMBER OF HOLES IN

BESPOKE

Capping Plan



CUSTOMER NAME

DRAWING TITLE

DESIGN VERSION

*NUMBERS REPRESENT NUMBER OF HOLES IN

BESPOKE

Capping Plan