

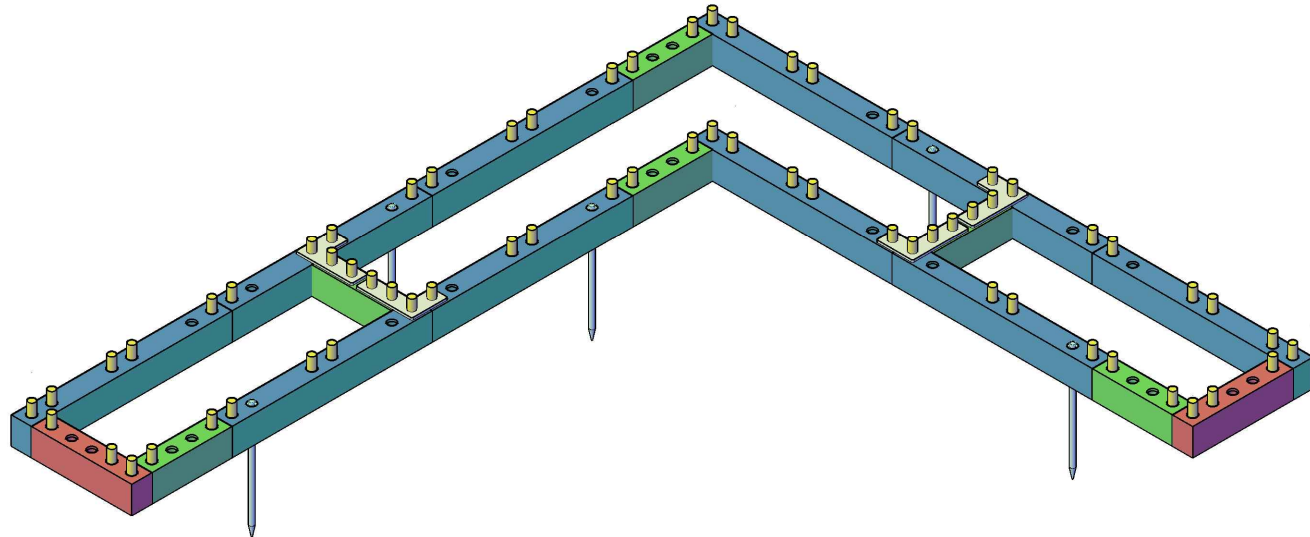
CUSTOMER NAME

BESPOKE

DRAWING TITLE

Cover 3D

DESIGN VERSION



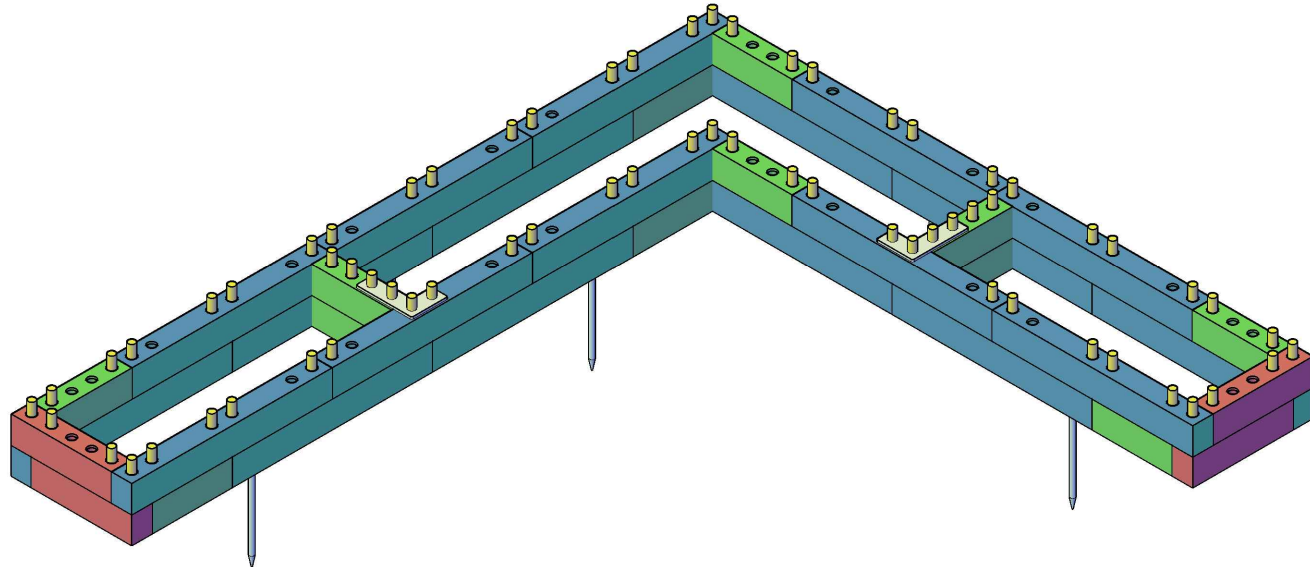
CUSTOMER NAME

BESPOKE

DRAWING TITLE

Layer 1

DESIGN VERSION



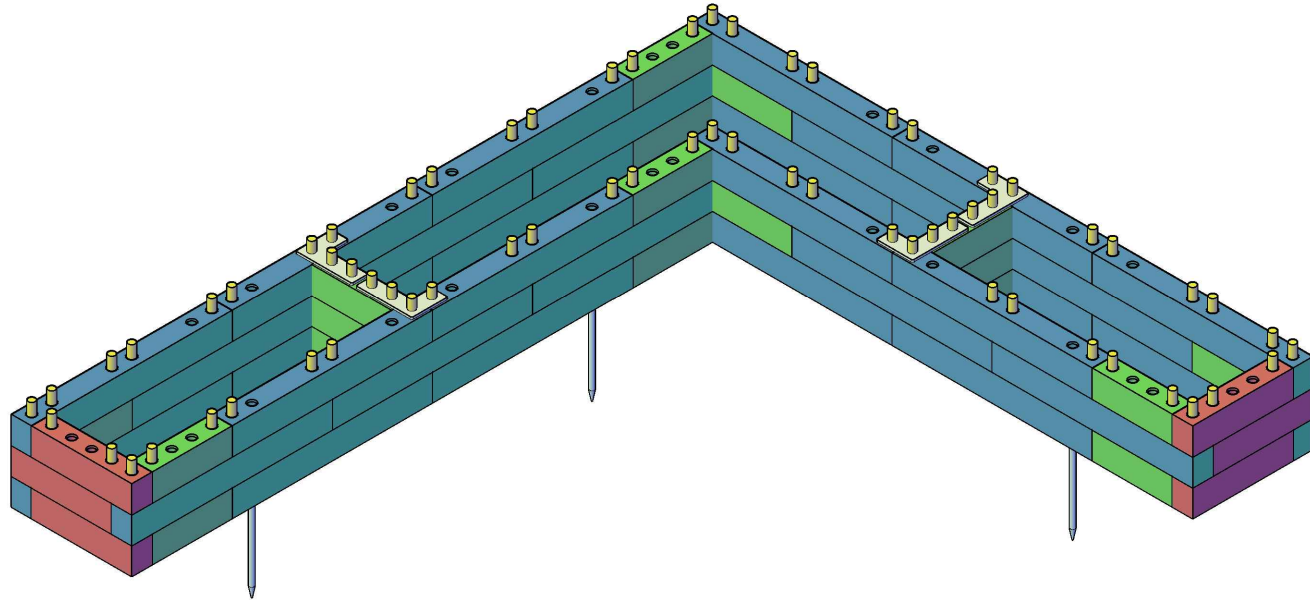
CUSTOMER NAME

BESPOKE

DRAWING TITLE

Layer 2

DESIGN VERSION



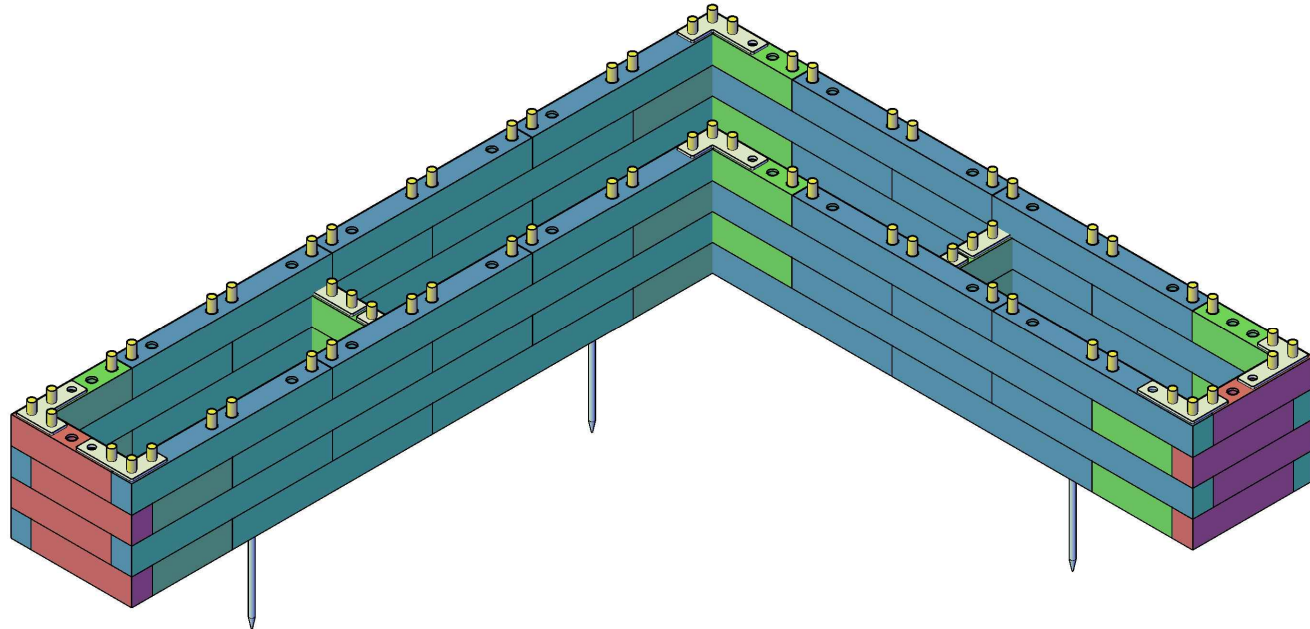
CUSTOMER NAME

BESPOKE

DRAWING TITLE

Layer 3

DESIGN VERSION



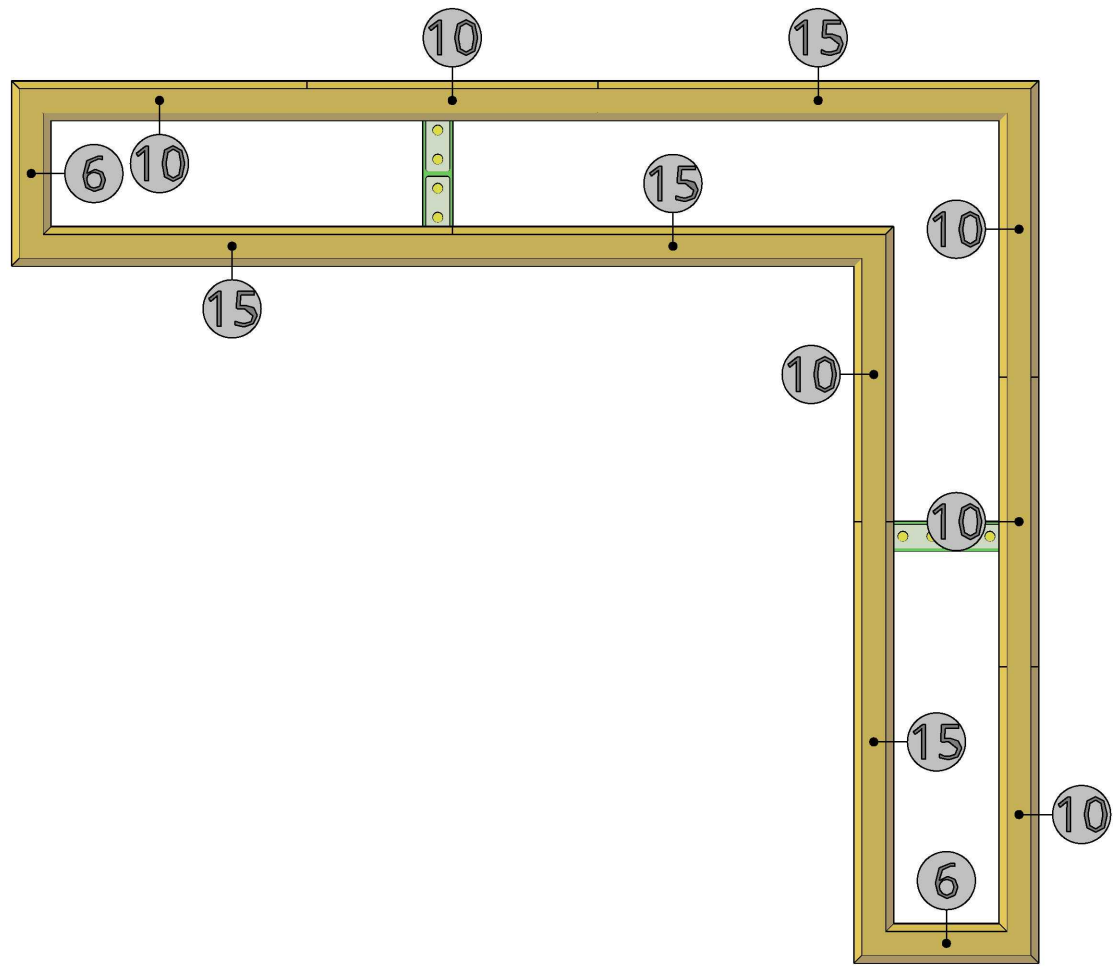
CUSTOMER NAME

BESPOKE

DRAWING TITLE

Layer 4

DESIGN VERSION

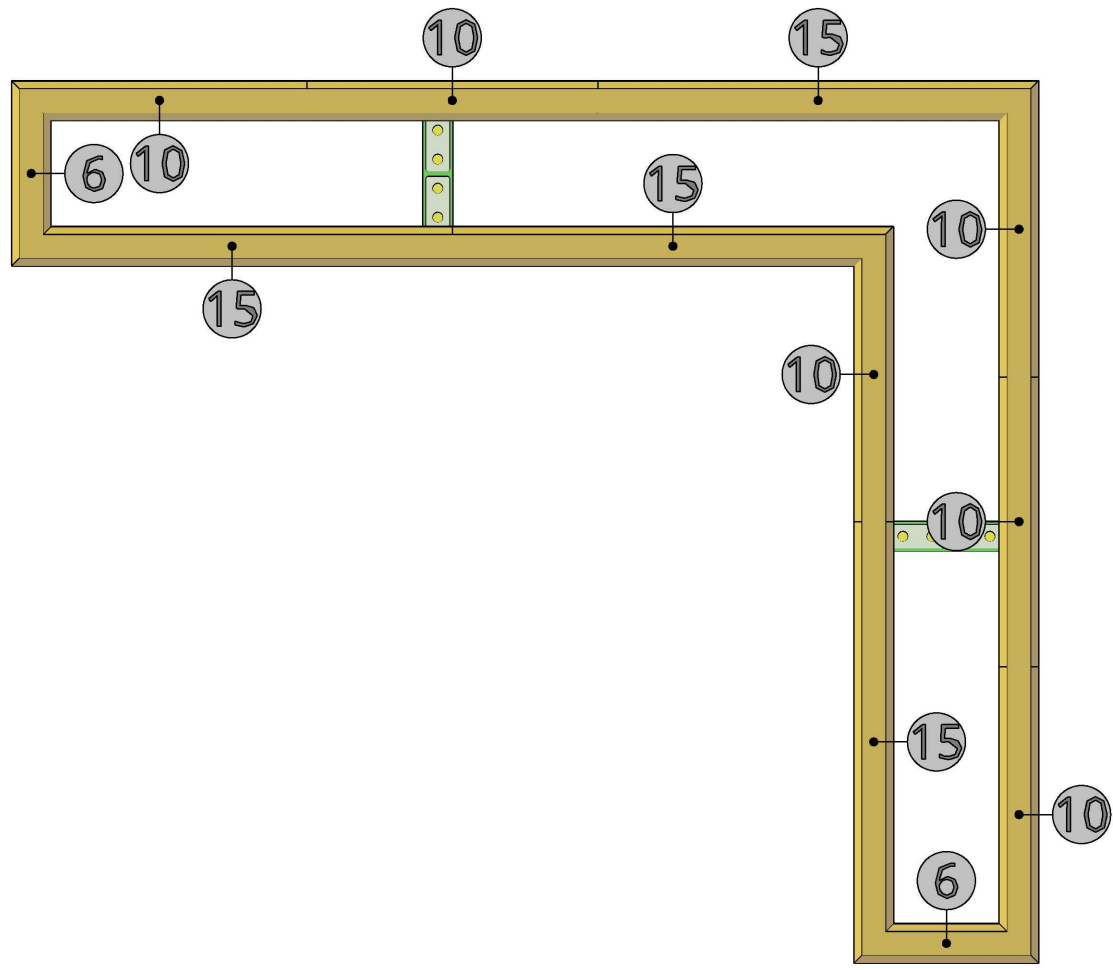


CUSTOMER NAME DRAWING TITLE DESIGN VERSION

BESPOKE

Capping Plan

*NUMBERS REPRESENT NUMBER OF HOLES IN



CUSTOMER NAME DRAWING TITLE DESIGN VERSION

BESPOKE

Capping Plan

*NUMBERS REPRESENT NUMBER OF HOLES IN