

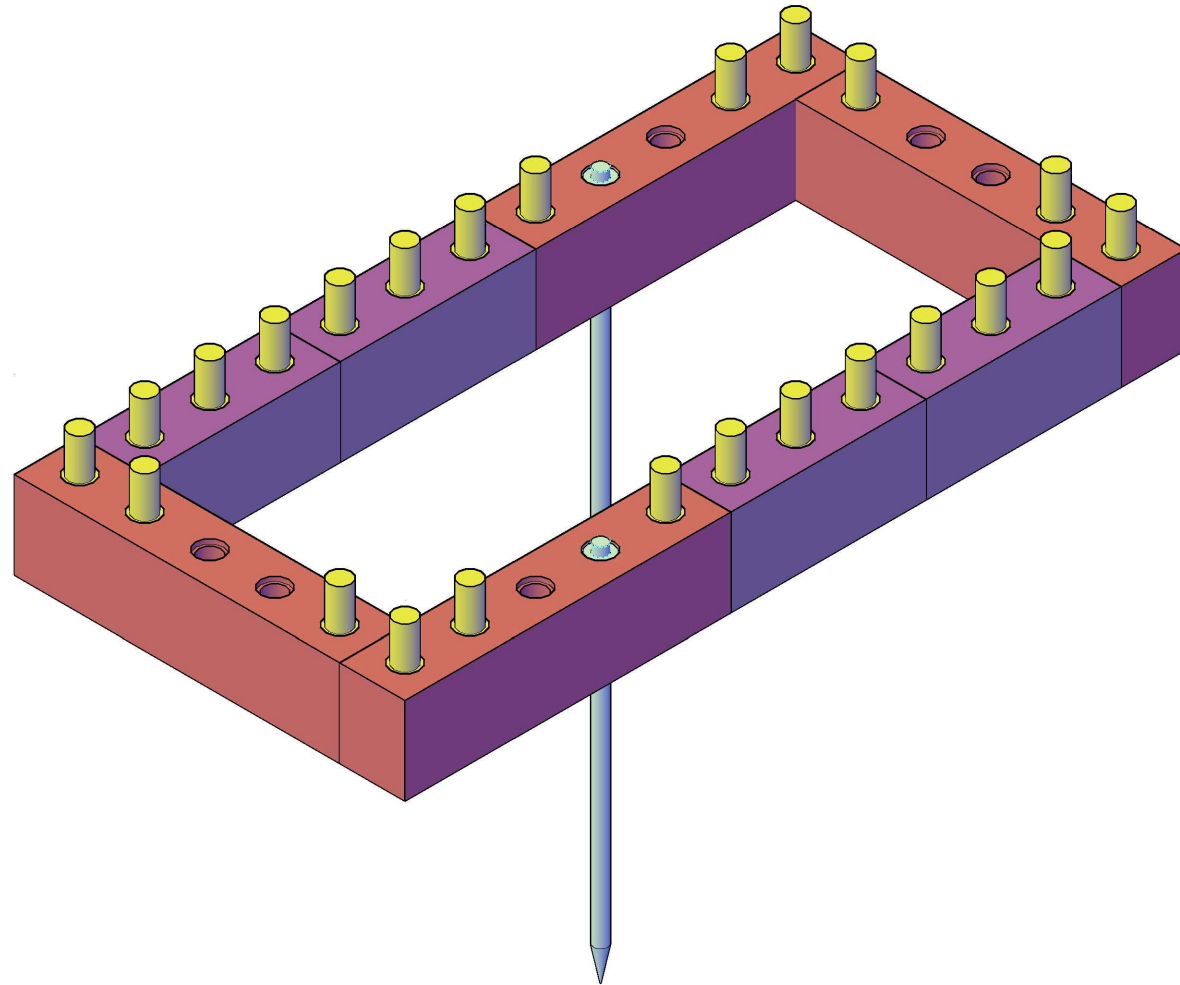
CUSTOMER NAME

DRAWING TITLE

DESIGN VERSION

4.DWGMX----MX----M

COVER 3D



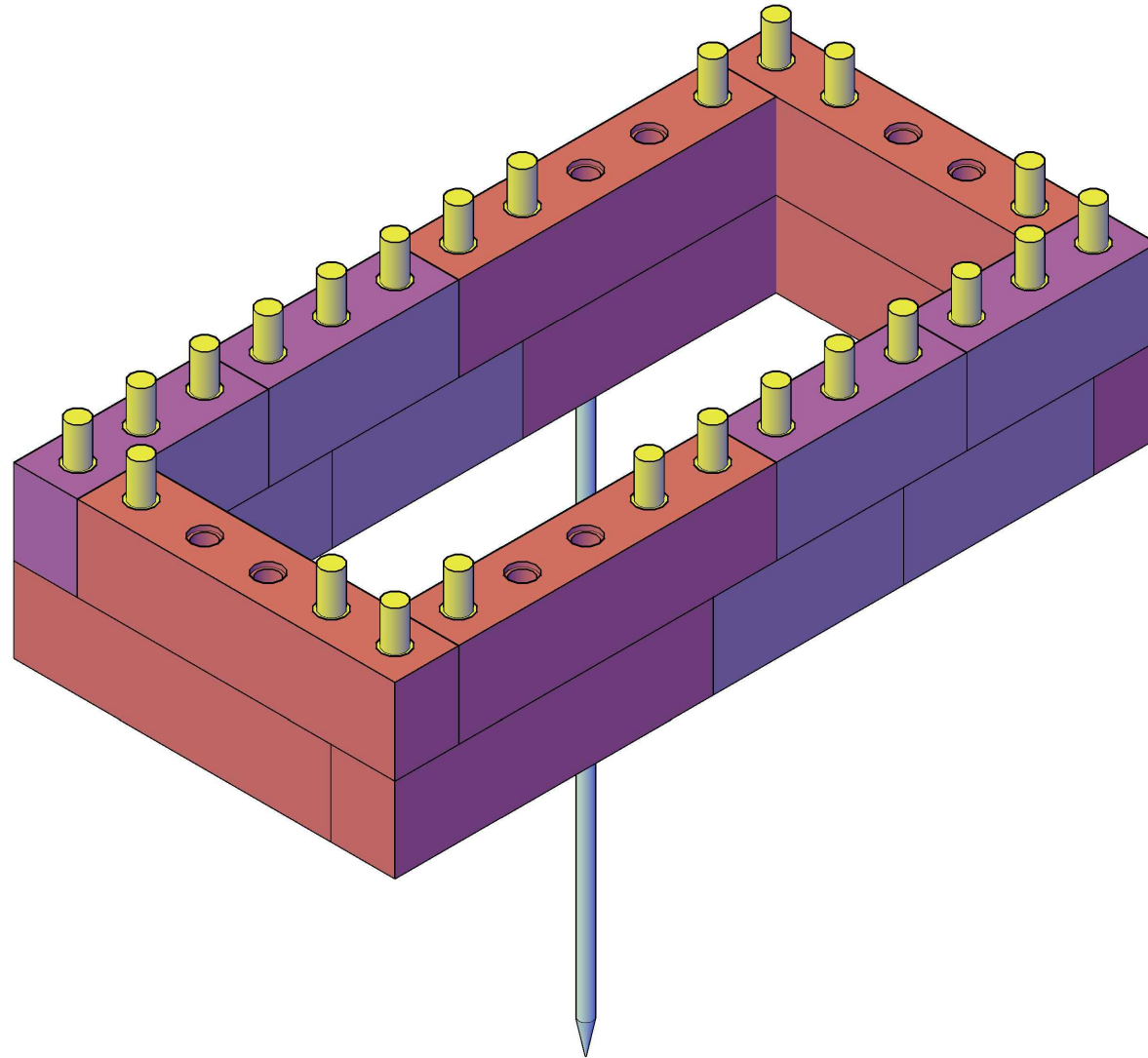
CUSTOMER NAME

DRAWING TITLE

DESIGN VERSION

4.DWGMX----MX----M

LAYER1



CUSTOMER NAME

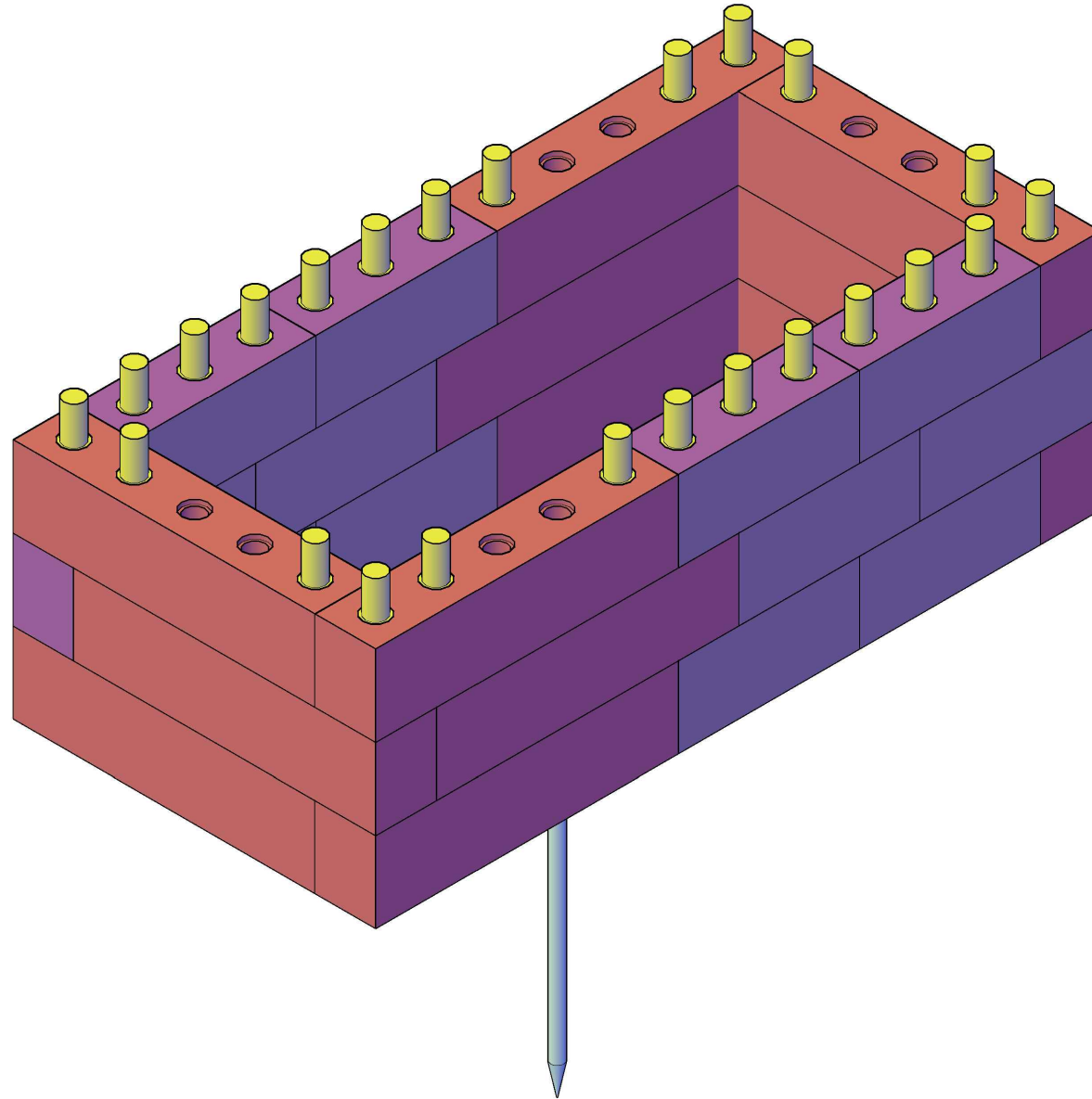
DRAWING TITLE

DESIGN VERSION

4.DWGMX----MX----M

LAYER2

WOOD BlocX



CUSTOMER NAME

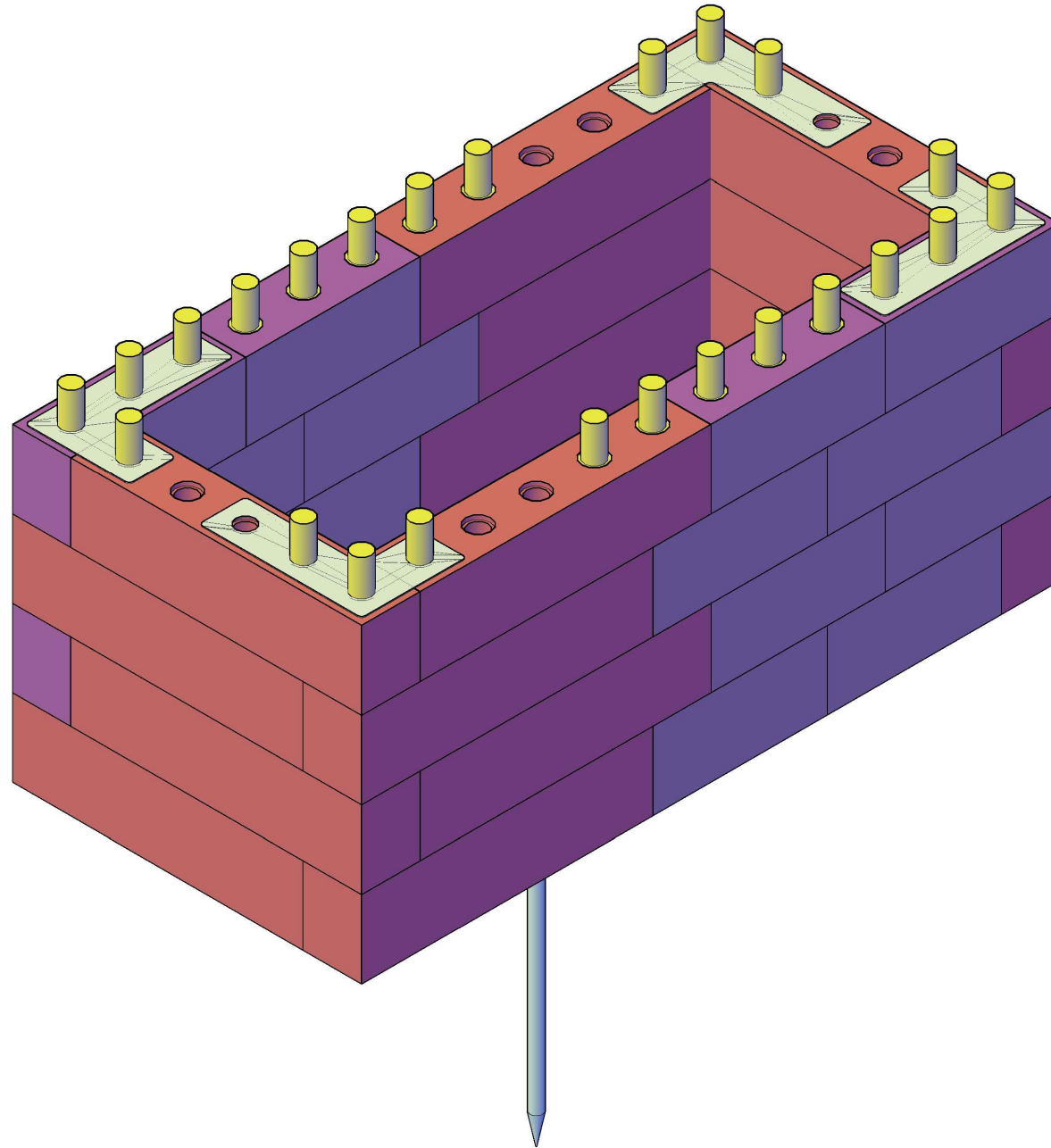
DRAWING TITLE

DESIGN VERSION

4.DWGMX----MX----M

LAYER3

WOOD BlocX



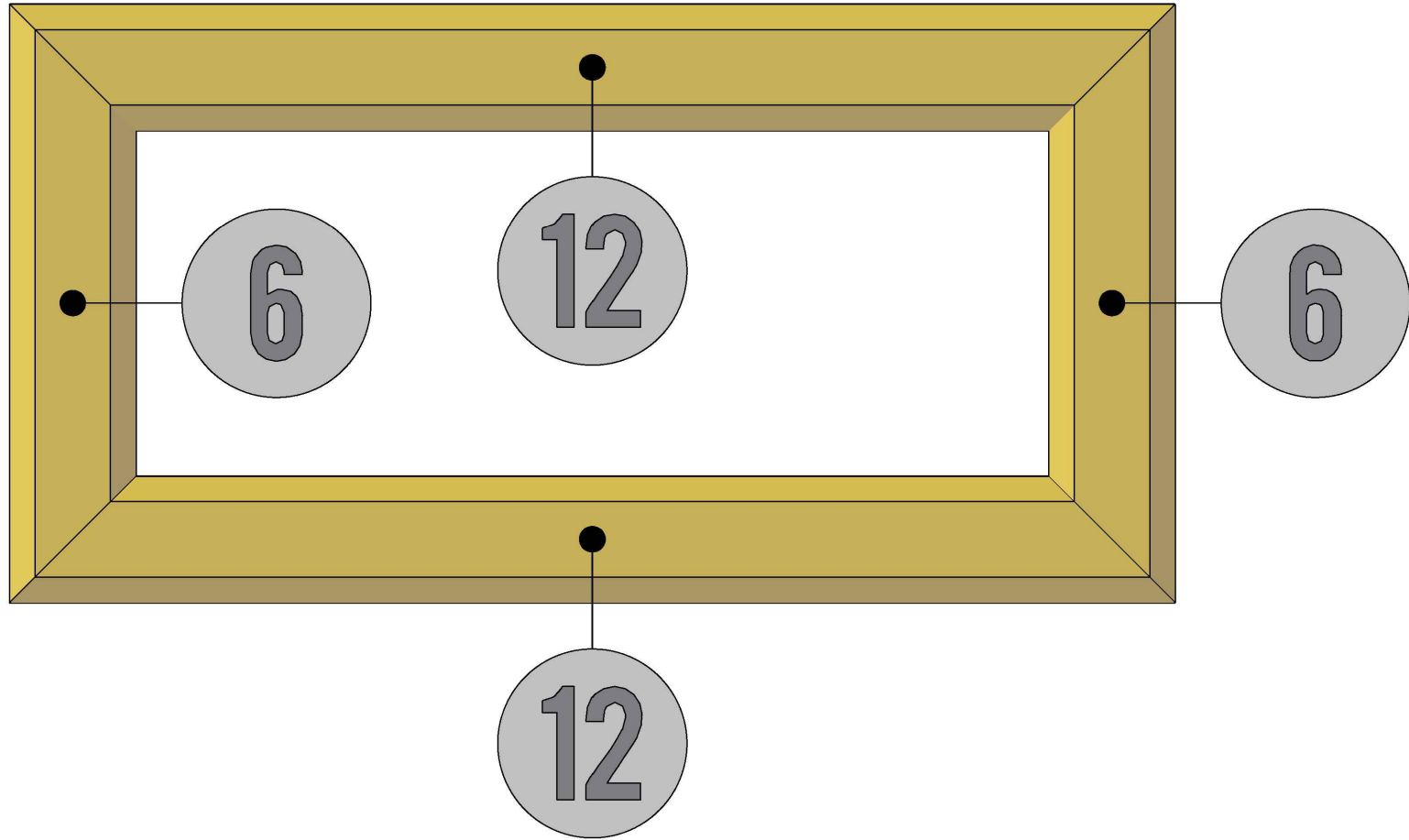
CUSTOMER NAME

DRAWING TITLE

DESIGN VERSION

4.DWGMX----MX----M

LAYER 4



CUSTOMER NAME

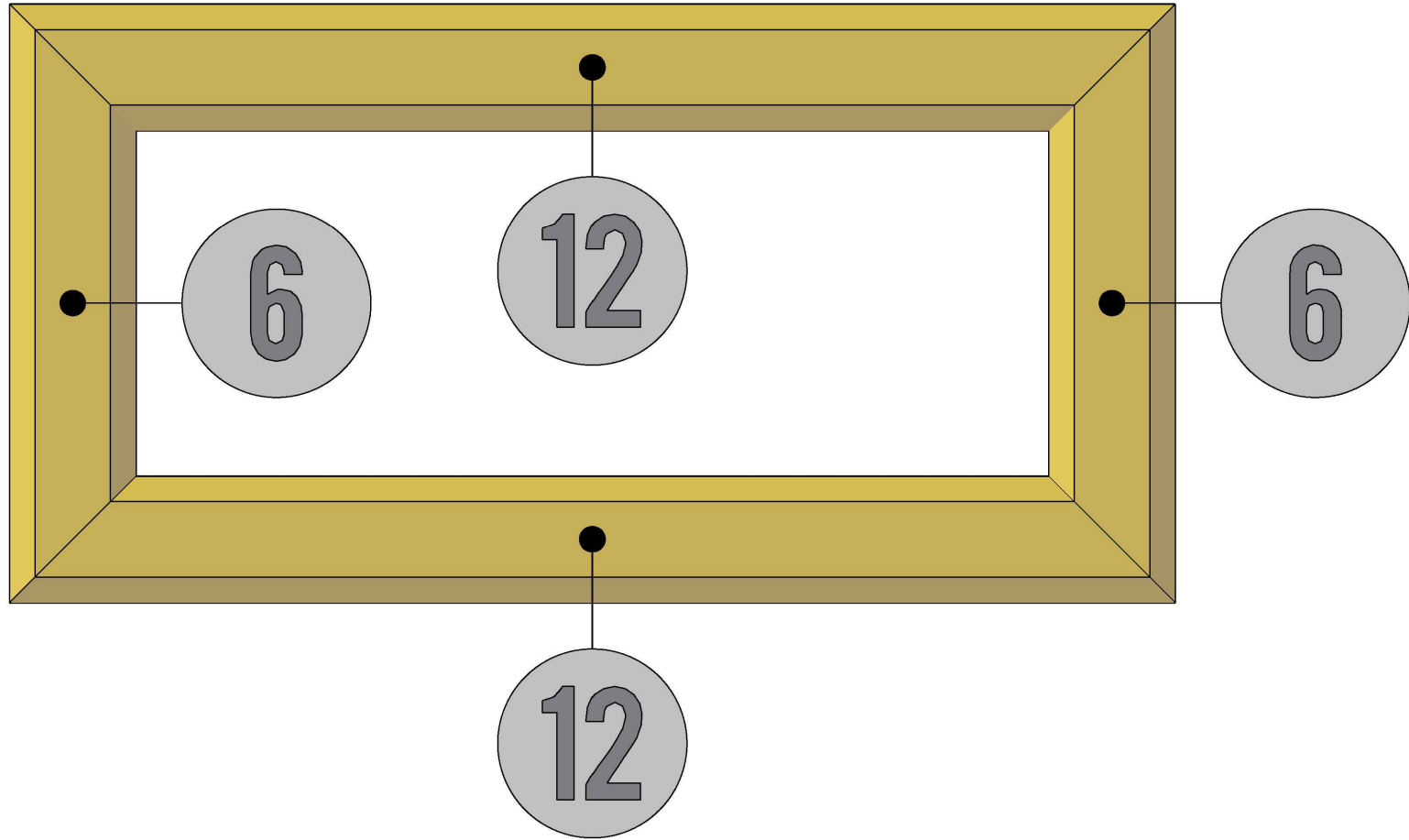
DRAWING TITLE

DESIGN VERSION

*NUMBERS REPRESENT NUMBER OF HOLES IN CAPPING

4.DWGMX----MX----M

CAPPINGPLAN



CUSTOMER NAME

DRAWING TITLE

DESIGN VERSION

*NUMBERS REPRESENT NUMBER OF HOLES IN CAPPING

4.DWGMX----MX----M

CAPPINGPLAN