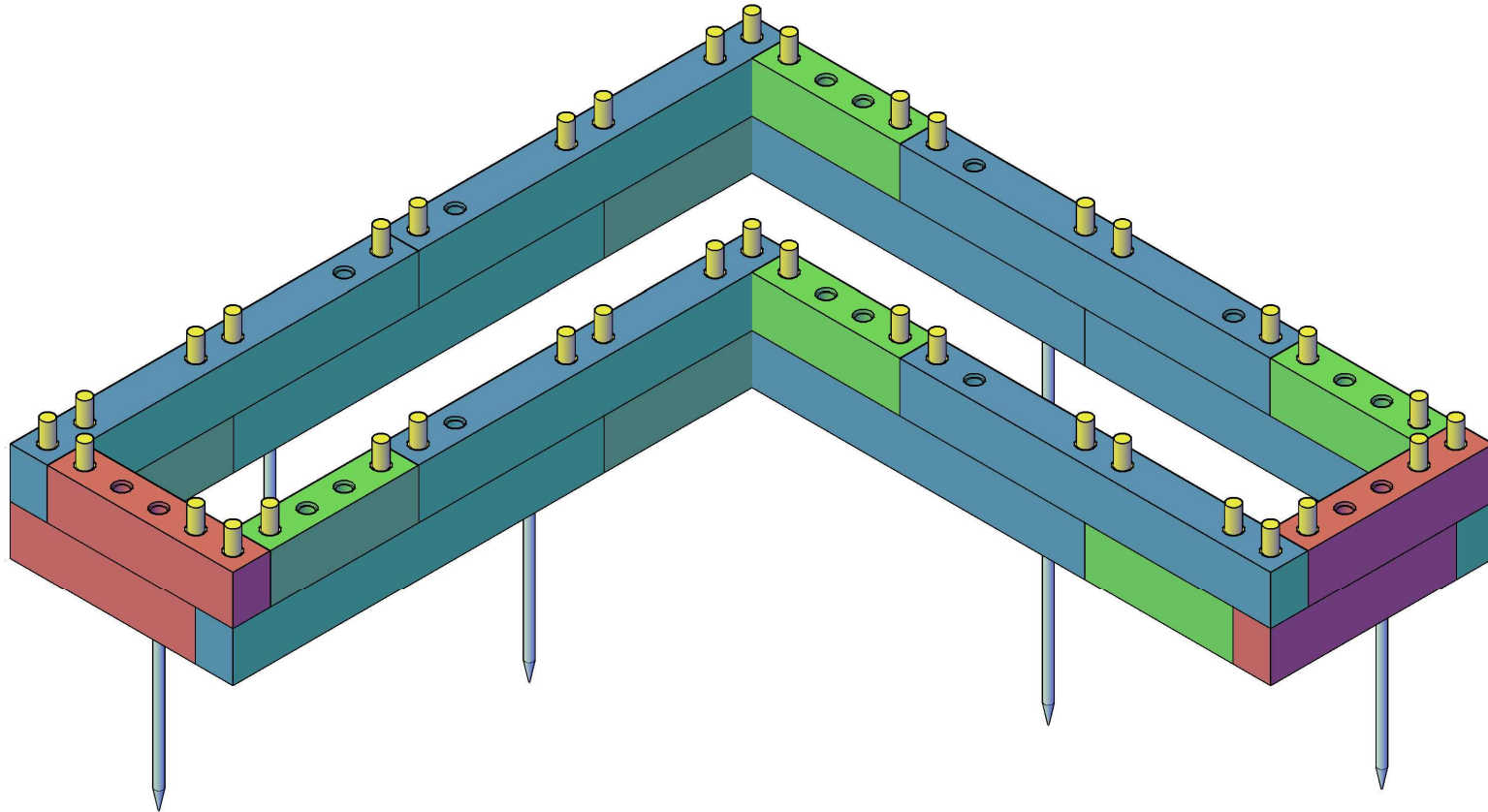


# WOOD BlocX

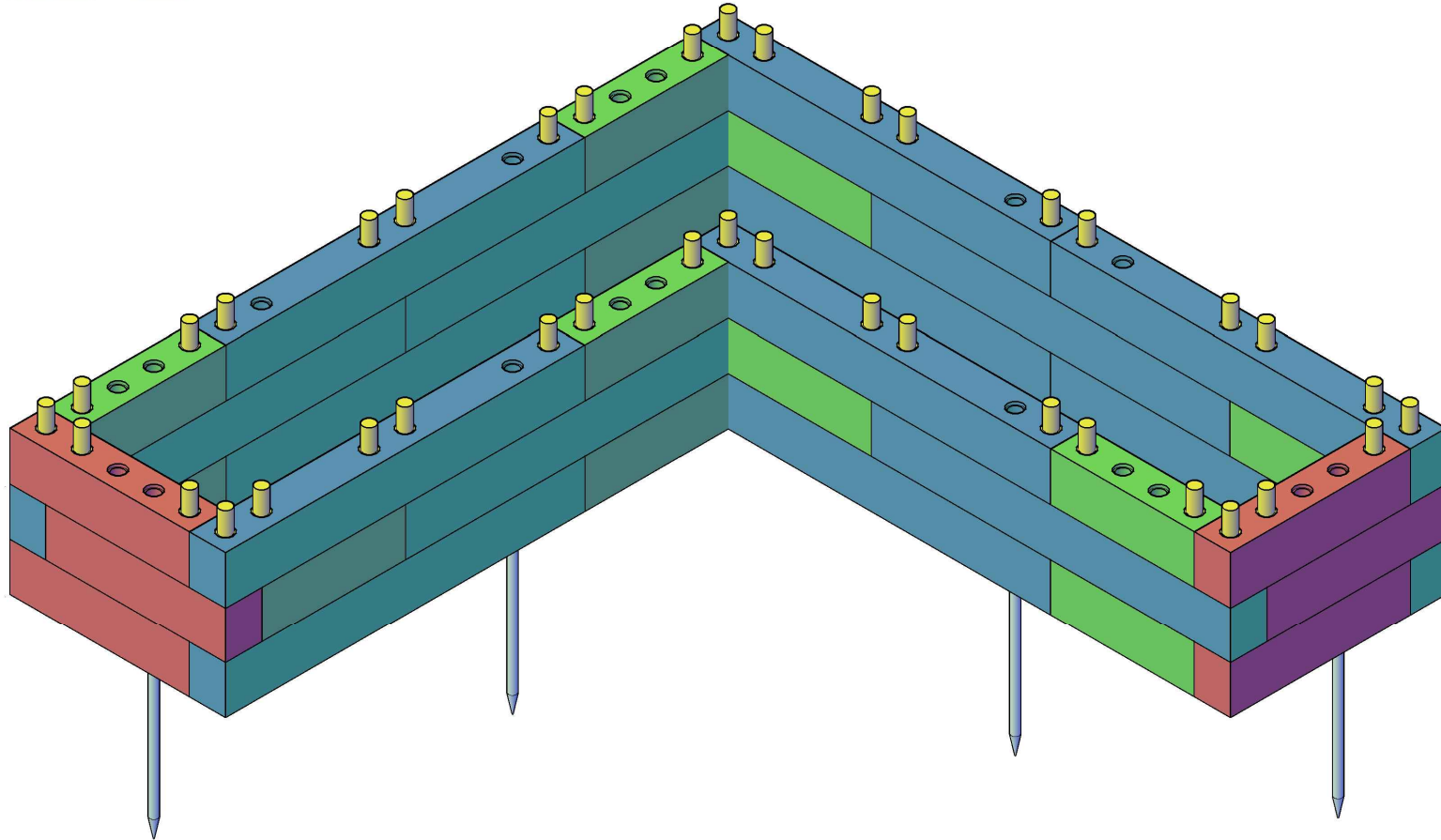


CUSTOMER NAME  
**SKU89604031**

DRAWING TITLE  
**LAYER02**

DESIGN VERSION  
**1.0**

# WOOD BlocX

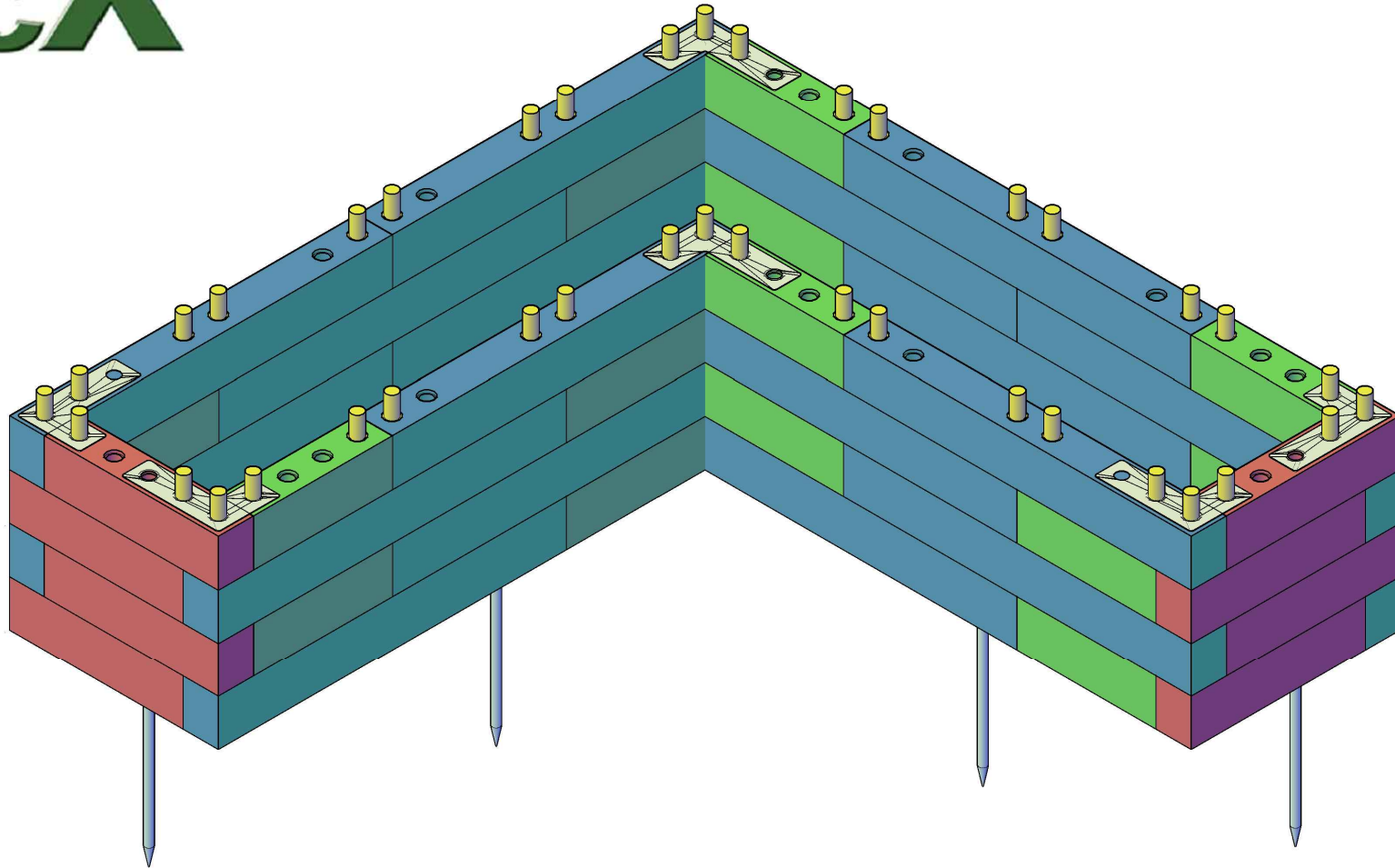


CUSTOMER NAME  
**SKU89604031**

DRAWING TITLE  
**LAYER03**

DESIGN VERSION  
**1.0**

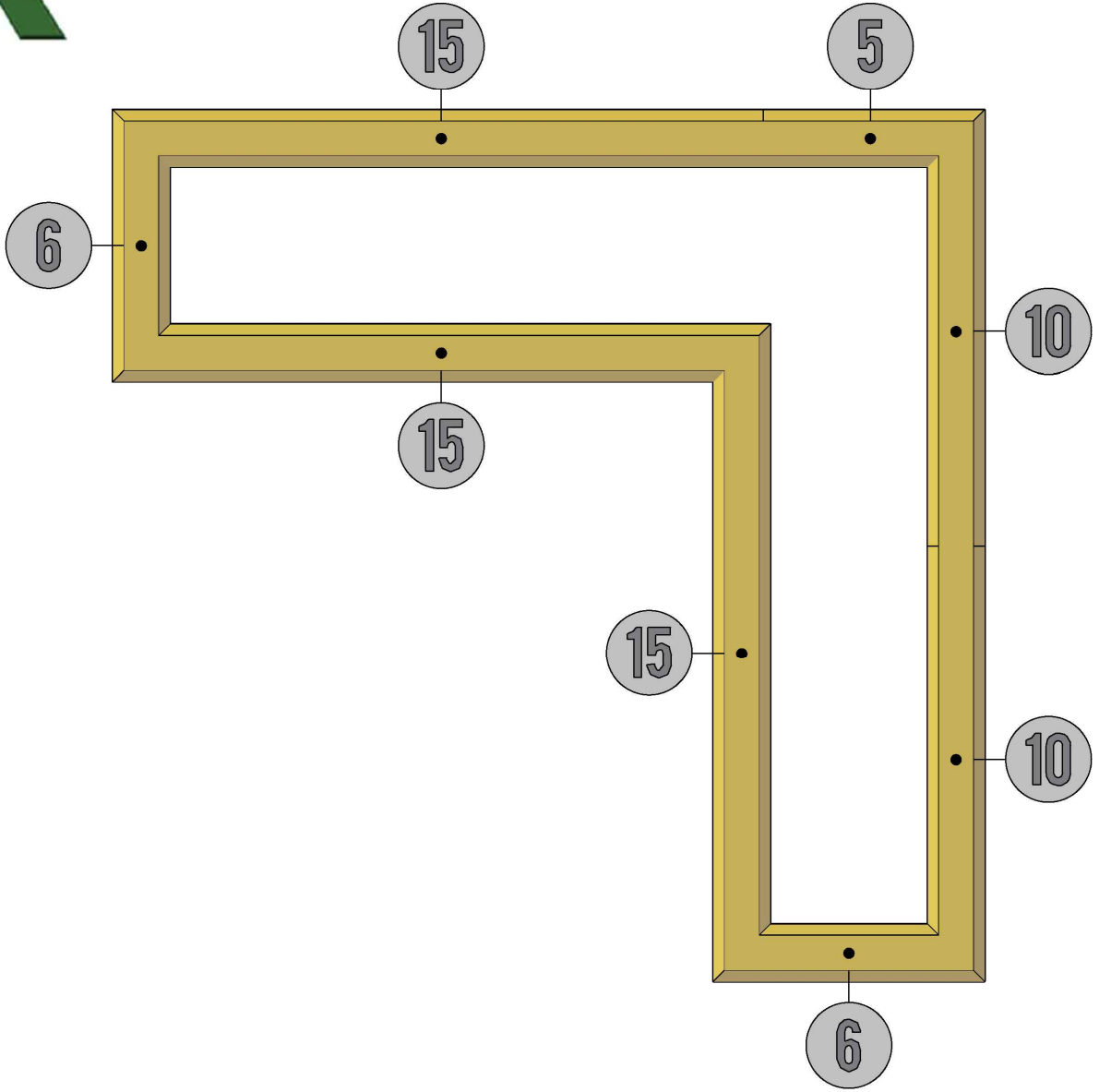
# WOOD BlocX



CUSTOMER NAME  
**SKU89604031**

DRAWING TITLE  
**LAYER04**

DESIGN VERSION  
**1.0**

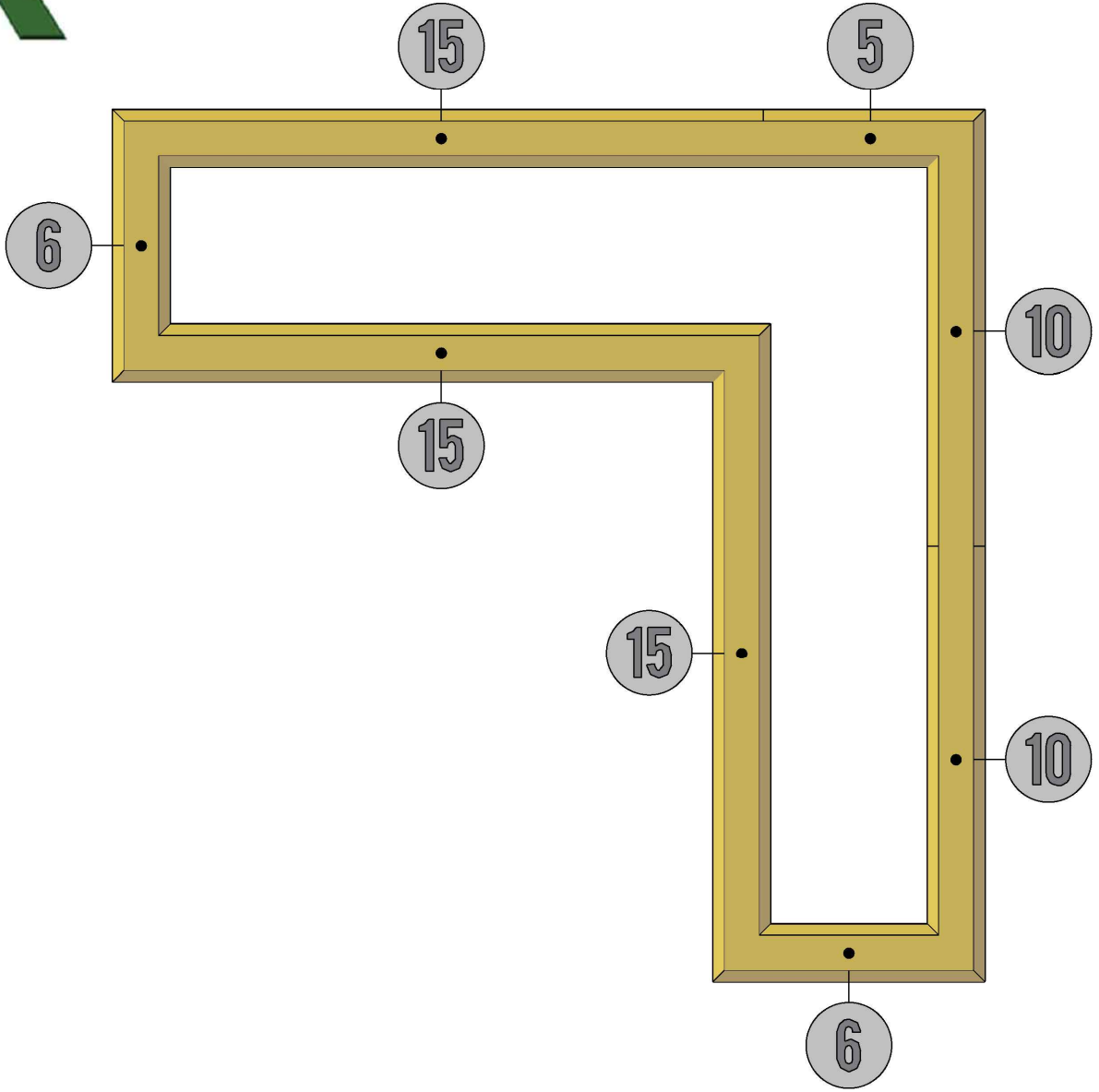


CUSTOMER NAME  
SKU89604031

DRAWING TITLE  
CAPPINGPLAN

DESIGN VERSION  
1.0

\*NUMBERS REPRESENT NUMBER OF HOLES IN CAPPING



\*NUMBERS REPRESENT NUMBER OF HOLES INCAPPING

CUSTOMER NAME  
SKU89604031

DRAWING TITLE  
CAPPINGPLAN2

DESIGN VERSION  
1.0